

ASSEMBLY INSTRUCTIONS


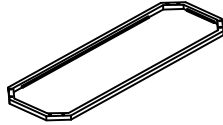
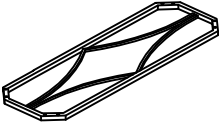
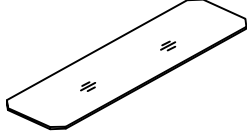
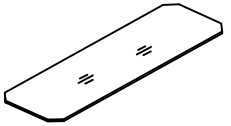
Style#C1312 Console Table





NOTE TO CUSTOMERS:

- For ease and speed of assembly we recommend that before you commence each step of the assembly that you identify all the parts required to complete that step.
- We recommend that where possible you allow sufficient space to assemble the item as close as possible to the place where it will be once assembled.
- For the protection of your furniture we recommend that the product is placed on protected surfaces during assembly to prevent any damage.
- During assembly do not over tighten, as this may damage the product.
- Please ensure you retain all the product packaging until the item completely assembled.
- Please periodically check all fittings and re-tighten as necessary.
- It is recommended that this item should be assembled by two adults.

Part List

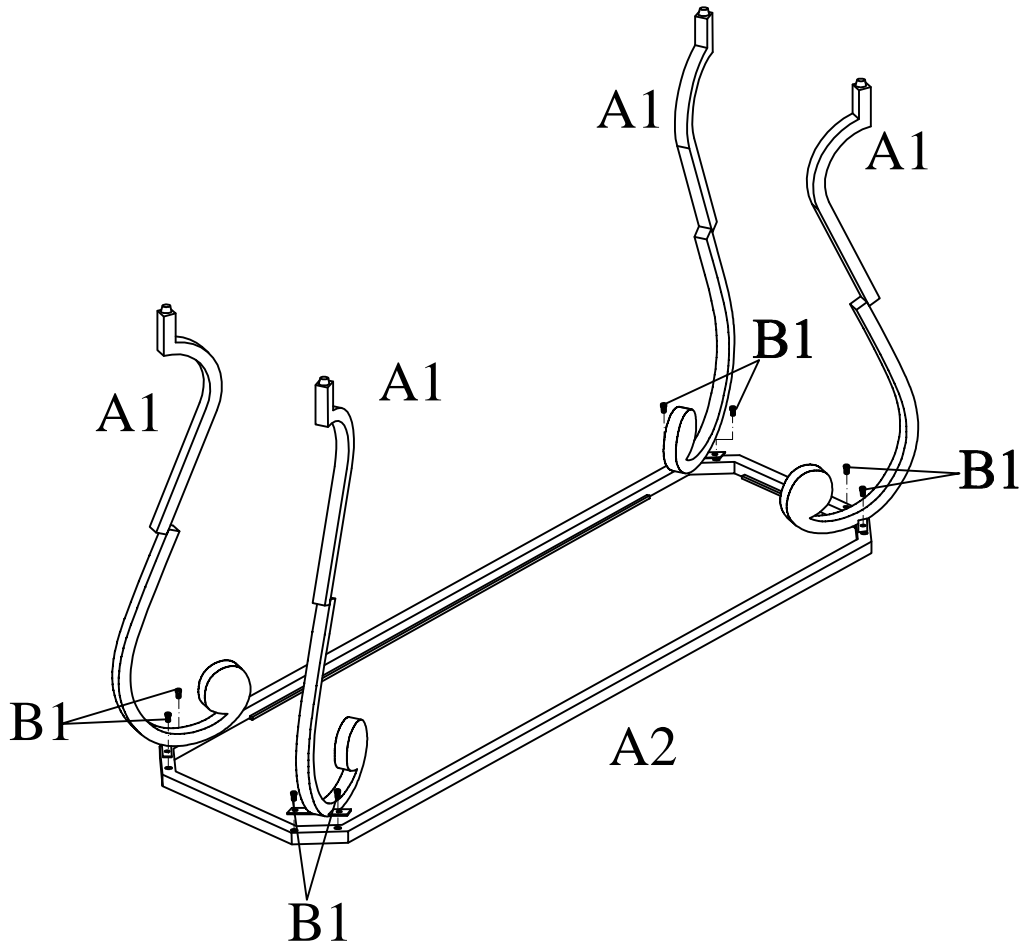
A1	4pcs	A2	1pc	A3	1pc	A4	1pc	A5	1pc
									
Legs		Top Frame		Bottom Frame		Top Glass		Middle Glass	

Hardware List

B1	16pcs	B2	1pc	
				
Bolt		Allen Wrench		

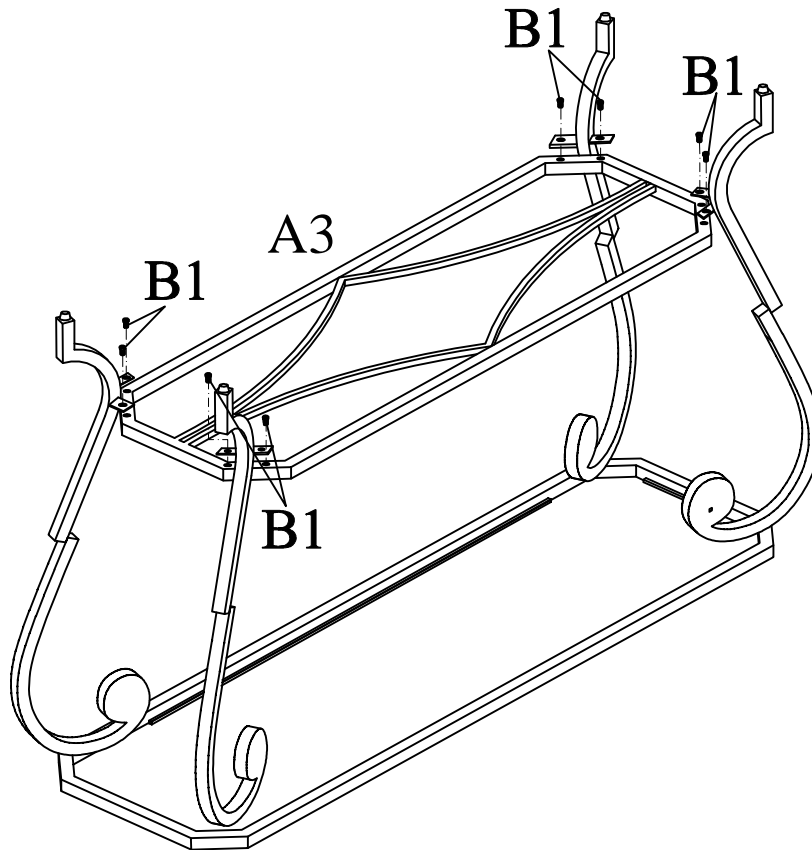
STEP 1

B1  8pcs



Assemble Legs A1 to the Top Frame A2 using Bolts B1.
Note: Please do not tighten bolts B1 until Step 3.

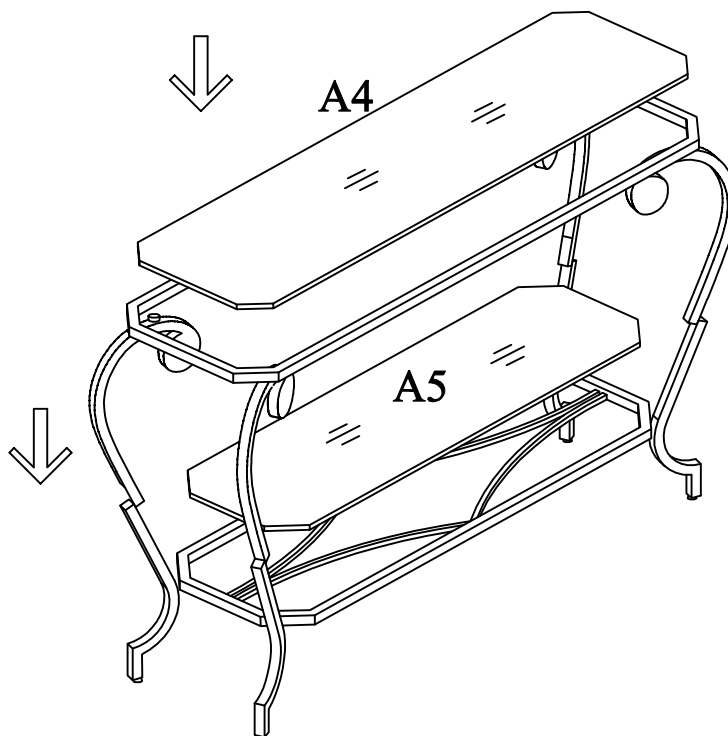
STEP 2



B1  8pcs

Assemble Bottom Frame A3 to legs A1 using Bolts B1.
Note: Please do not tighten bolts B1 until Step 3.

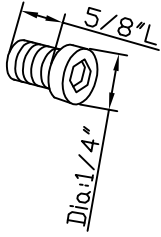
STEP 3



- 1). Place this table on the floor to check if it is stable before tightening all bolts.
- 2). Put Shelf Glass A5 onto the Bottom Frame A3. Then place Top Glass A4 on the top frame A2 carefully.

Appendix: Dimension of Hardwares In this AI

B1



Bolt

B2



Allen Wrench