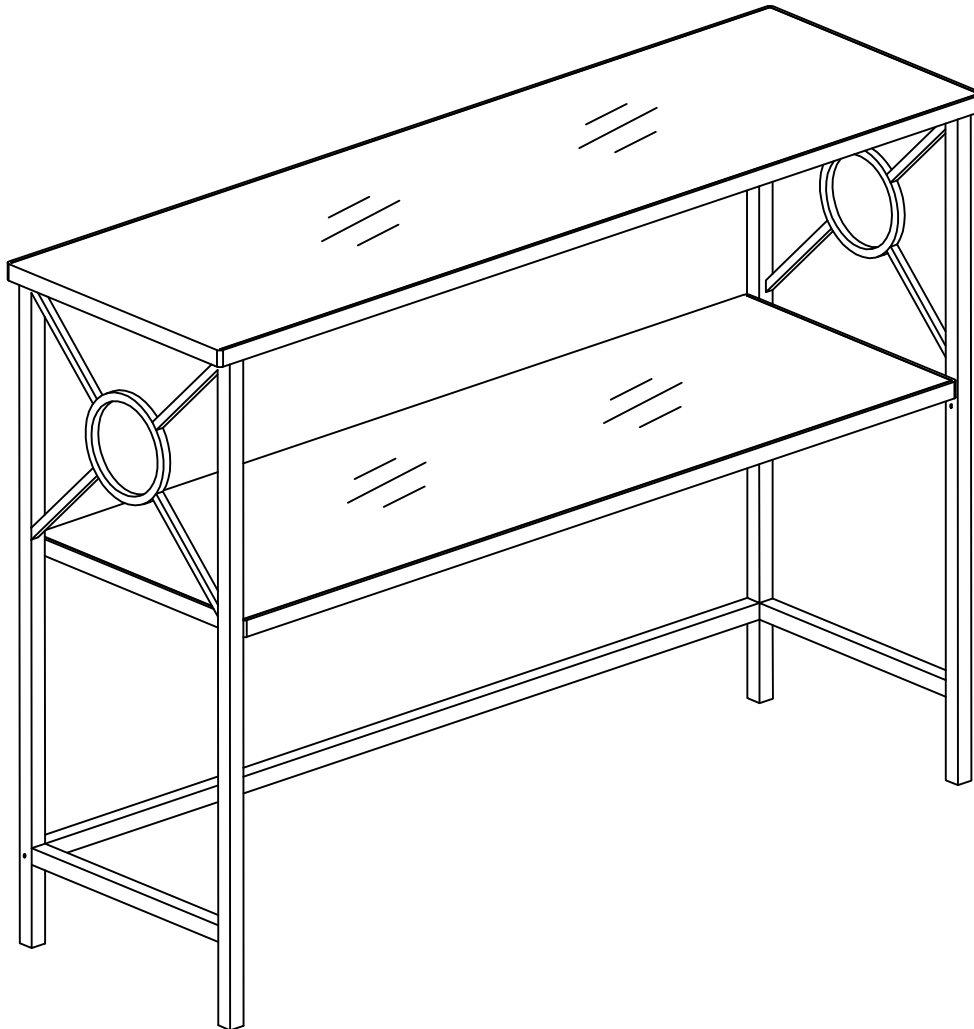


ASSEMBLY INSTRUCTIONS

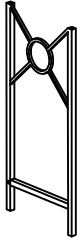
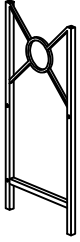



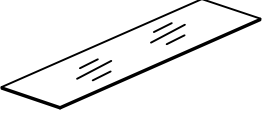
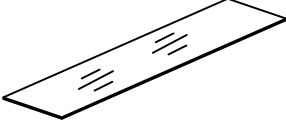
Style#C1300 Console Table







NOTE TO CUSTOMERS:

- For ease and speed of assembly we recommend that before you commence each step of the assembly that you identify all the parts required to complete that step.
- We recommend that where possible you allow sufficient space to assemble the item as close as possible to the place where it will be once assembled.
- For the protection of your furniture we recommend that the product is placed on protected surfaces during assembly to prevent any damage.
- During assembly do not over tighten, as this may damage the product.
- Please ensure you retain all the product packaging until the item completely assembled.
- Please periodically check all fittings and re-tighten as necessary.
- It is recommended that this item should be assembled by two adults.

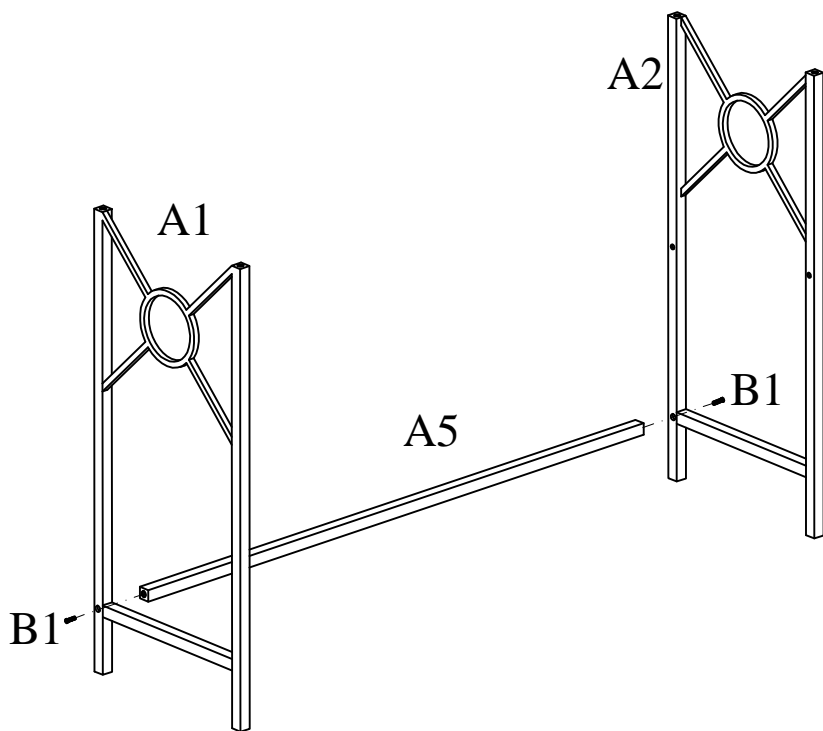
Part List

A1  1pc Left Frame	A2  1pc Right Frame	A3  1pc Middle Frame	A4  1pc Top Frame
A5  1pc Connect Bar	A6  1pc Middle Glass	A7  1pc Top Glass	

Hardware List

B1  2pcs Bolt	B2  8pcs Bolt	B3  8pcs Cap	B4  1pc Allen Wrench
---	---	---	--

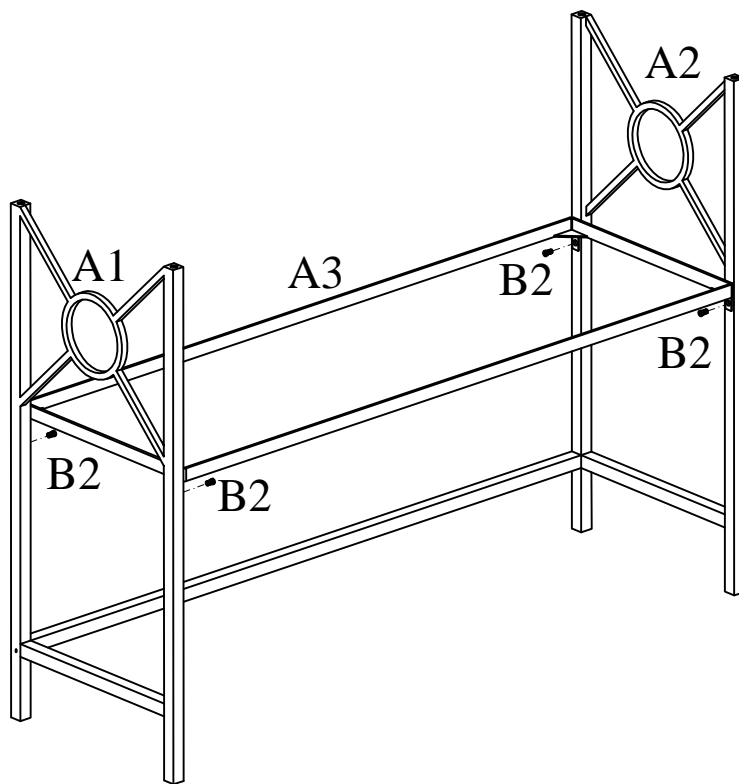
STEP 1




B1  2pcs

Assemble Connecting Bar A5 to Side Frames A1 & A2 using Bolts B1.
Note: Please do not tighten bolts B1 until Step 4.

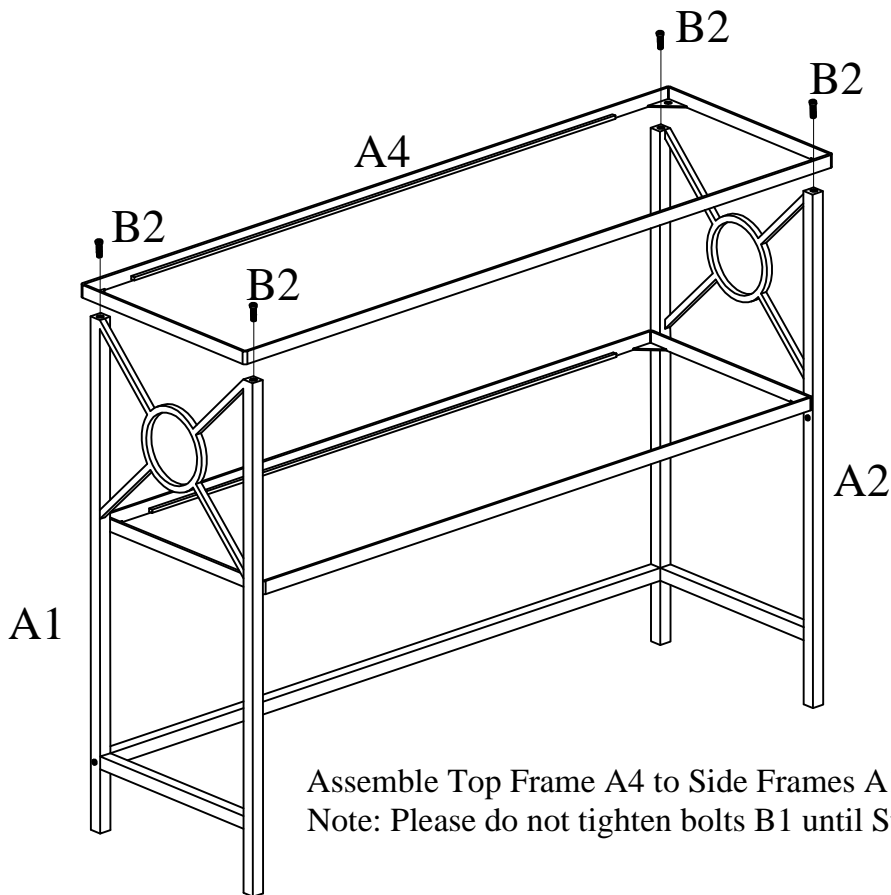
STEP 2



B2  4pcs

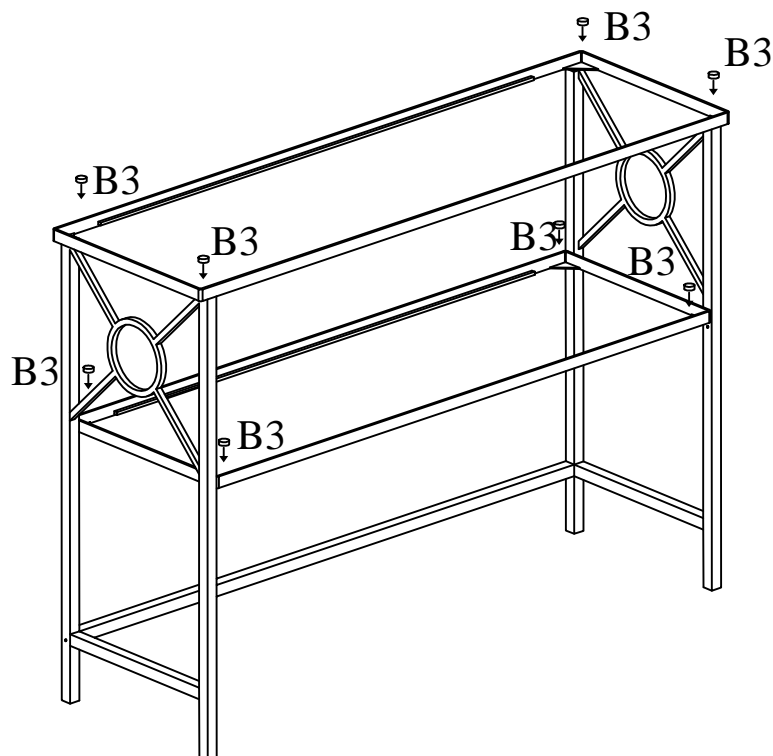
Assemble Middle Frame A3 to Side Frames A1 & A2 using Bolts B2.
Note: Please do not tighten bolts B2 until Step 4.

STEP 3



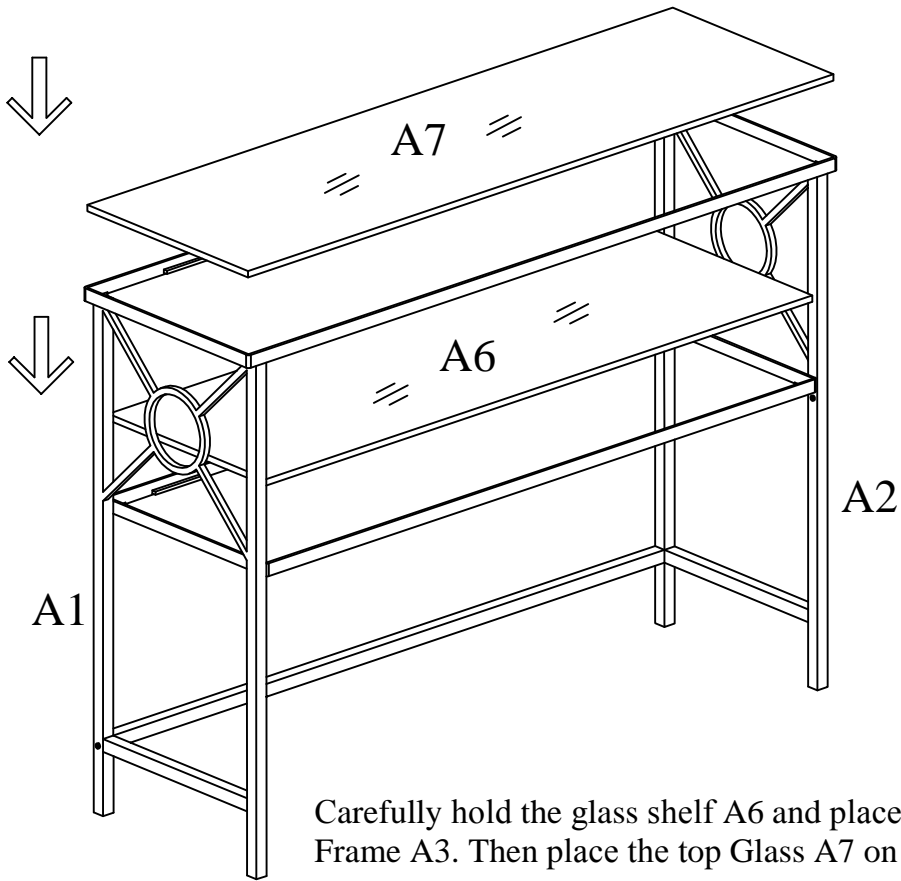
Assemble Top Frame A4 to Side Frames A1 & A2 using Bolts B 2.
Note: Please do not tighten bolts B1 until Step 4.

STEP 4



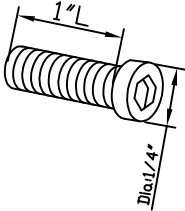
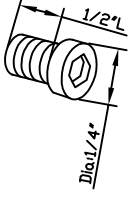
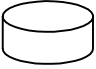

- 1). Place this table on the floor to check if it is stable before tightening all bolts at this step.
- 2). Place the caps B3 on the corners of Middle Frame A3, then cover the head of bolts B2 on the corner of Top Frame A4 by Caps B3.

STEP 5



Carefully hold the glass shelf A6 and place it onto the Middle Frame A3. Then place the top Glass A7 on the top frame A4

Appendix: Dimension of Hardwares In this AI

<p>B1</p>  <p>Bolt</p>	<p>B2</p>  <p>Bolt</p>	<p>B3</p>  <p>Cap</p>
<p>B4</p>  <p>Allen Wrench</p>		