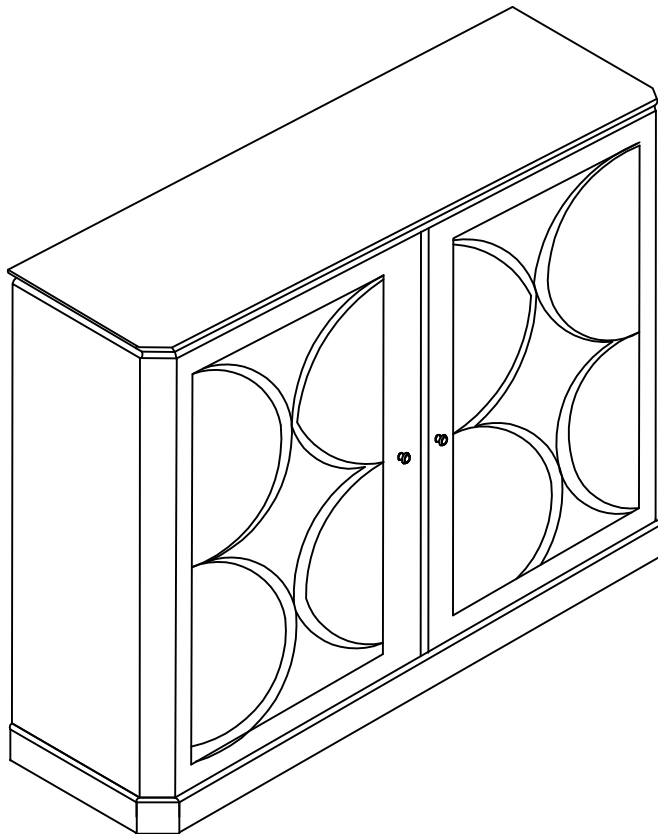


ASSEMBLY INSTRUCTIONS

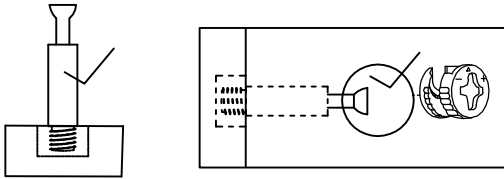
Style # C1290 Console Table



NOTE TO CUSTOMERS:

- For ease and speed of assembly we recommend that before you commence each step of the assembly that you identify all the parts required to complete that step.
- We recommend that where possible you allow sufficient space to assemble the item as close as possible to the place where it will be once assembled.
- For the protection of your furniture we recommend that the product is placed on protected surfaces during assembly to prevent any damage.
- During assembly do not over tighten, as this may damage the product.
- Please ensure you retain all the product packaging until the item completely assembled.
- Please periodically check all fittings and re-tighten as necessary.
- Never allow any liquids to remain on your furniture as absorption can cause the wood to warp or the finish to de-laminate.
- It is recommended that this item should be assembled by two adults.

To use a cam lock: (Please read below instructions before assembling)



1. Insert cam screw into hole as shown in diagram A .

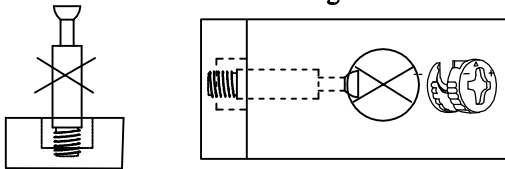


Diagram B

Make sure not to insert the cam screw:
Too deep as shown in figure B as this will cause the
cam screw to be misaligned and unable to
interlock properly.

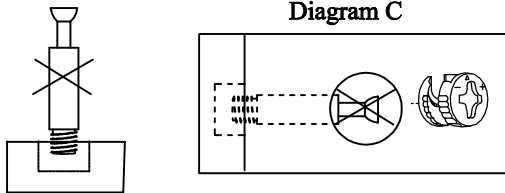
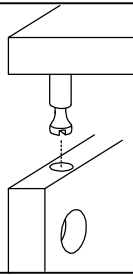
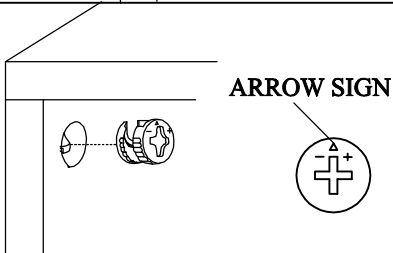


Diagram C

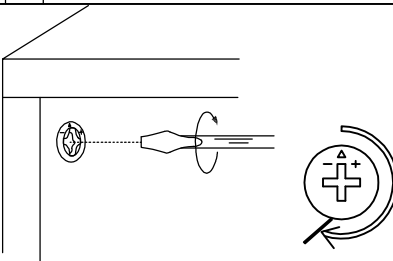
Also avoid inserting the cam screw too close to the
surface of the hole as shown in figure C, as this will
cause the cam lock to be too loose, and not interlock
properly.



2. Connect the panels together.



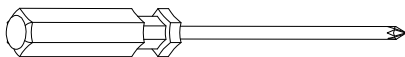
3. When inserting the cam lock make sure the arrow
of the cam lock faces the cam screw.



4. To tighten the cam lock turn the cam lock clockwise
90-180 degree or until the arrow is facing opposite
the place cam lock was inserted.


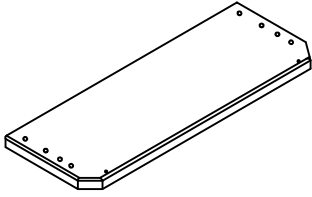
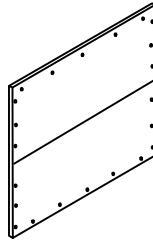
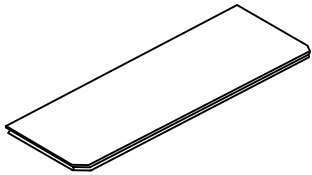
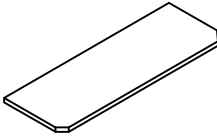
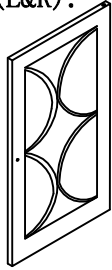
**NOTE: DO NOT USE AN AUTOMATIC
SCREWDRIVER TO TIGHTEN CAM LOCKS.**

Tools Required

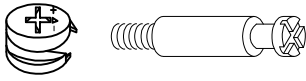
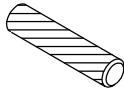
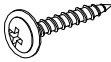





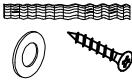


Phillips screwdriver(Not included)

Part List

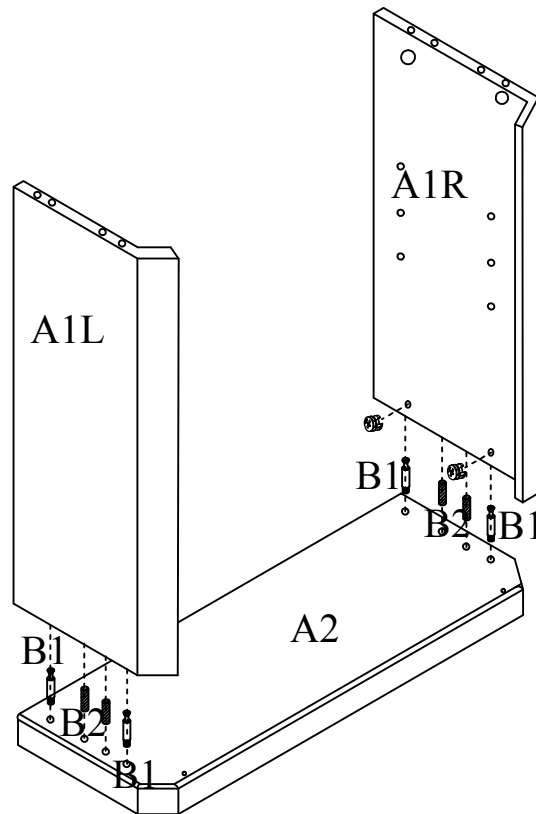
<p>A1 (L&R). Quantity of 2</p>  <p>Side Panel</p>	<p>A2. Quantity of 1</p>  <p>Bottom Panel</p>	<p>A3. Quantity of 1</p>  <p>Back Panel</p>	<p>A4. Quantity of 1</p>  <p>Top Panel</p>
<p>A5. Quantity of 1</p>  <p>Adjustable shelf</p>	<p>A6 (L&R). Quantity of 2</p>  <p>Door</p>		



Hardware List

<p>B1. Quantity of 8</p>  <p>Camlock</p>	<p>B2. Quantity of 8</p>  <p>Wooden dowel</p>	<p>B3. Quantity of 22</p>  <p>screw</p>	<p>B4. Quantity of 4</p>  <p>Shelf support</p>
<p>B5 Quantity of 2</p>  <p>Knob</p>	<p>B6 Quantity of 4</p>  <p>Door pin</p>	<p>B7 Quantity of 1</p>  <p>Magnet</p>	<p>B8 Quantity of 1</p>  <p>Wall Anchor with Screw</p>
<p>B9 Quantity of 1</p>  <p>Anti-tip Kit</p>			

STEP 1:

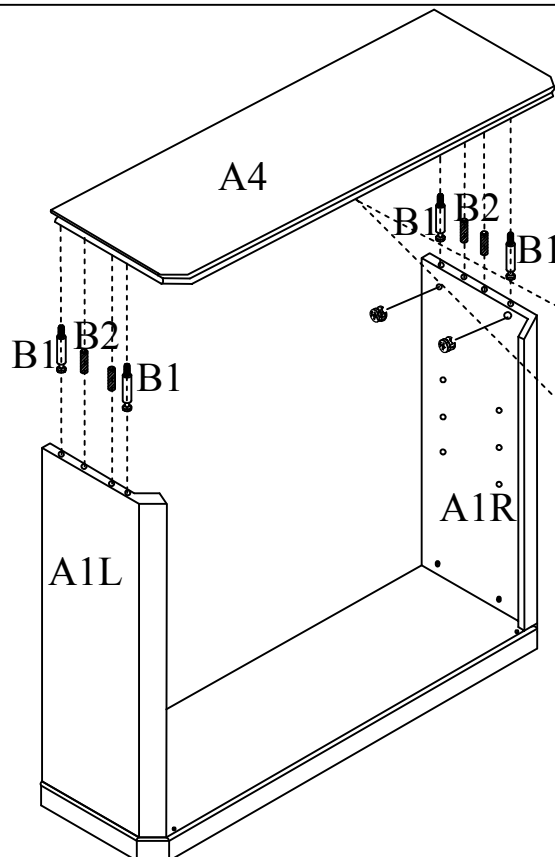
Assembly instruction






B1		4sets
B2		4pcs

Assemble Side panels A1(L&R) to Bottom Panel A2 using Camlocks B1 and Wood Dowels B2.

STEP 2:



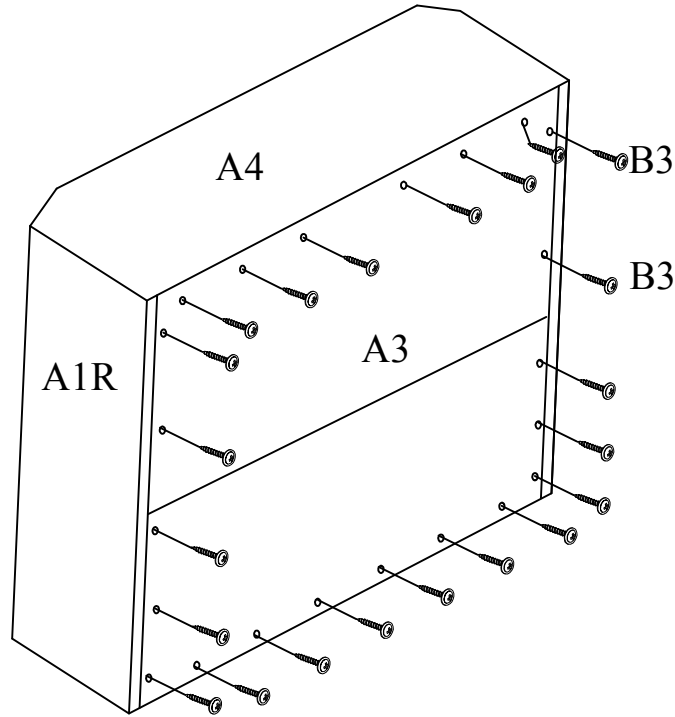
B1		4sets
B2		4pcs
B7		1set

1). Attach Magnet B7 to the bottom of Top Panel A4 with included screws(There are pre-drilled holes on the bottom of Top Panel).

2). Then assemble Top Panel A4 to Side Panels A1(L&R) using Camlocks B1 and Wood Dowels B2.

STEP 3:

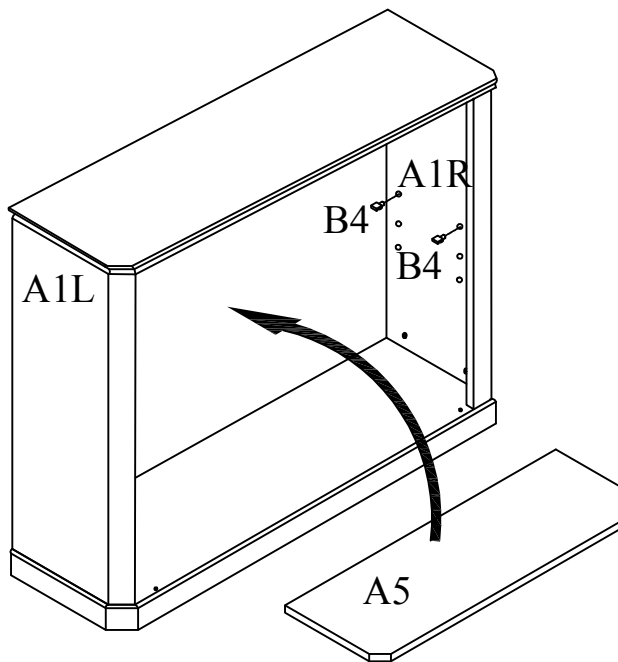
B3  22pcs



Assemble Back Panel A3 to the back of the unit using Screws B3.

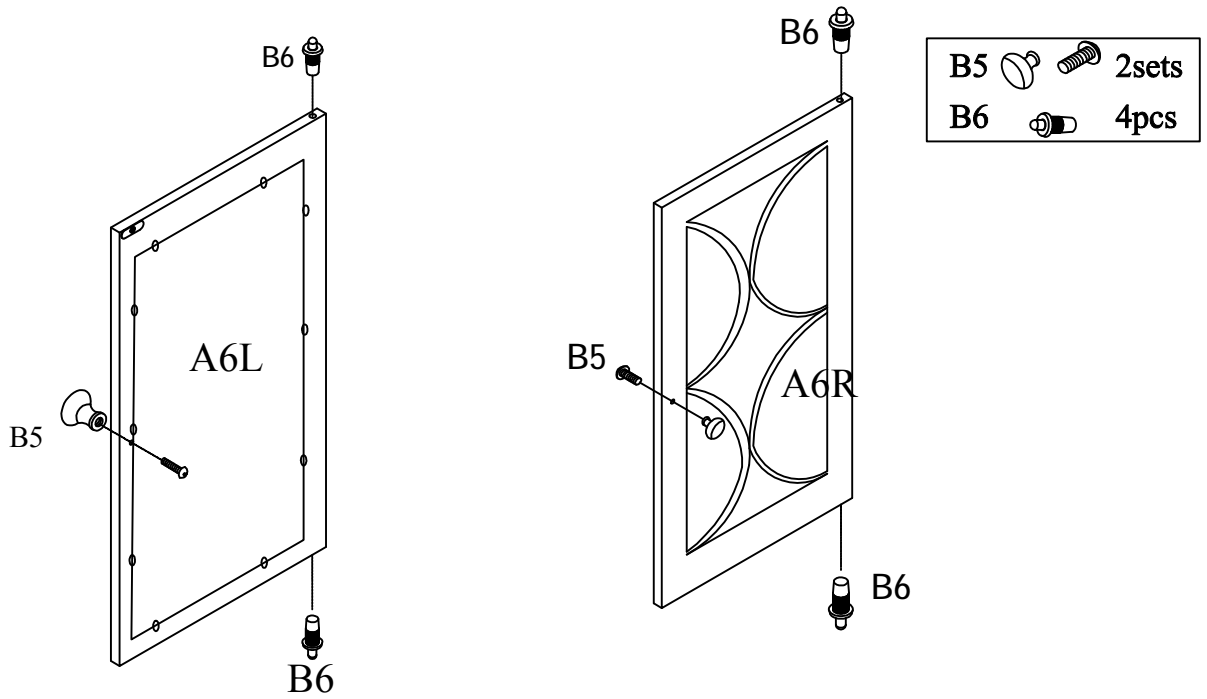
STEP 4

B4  4pcs



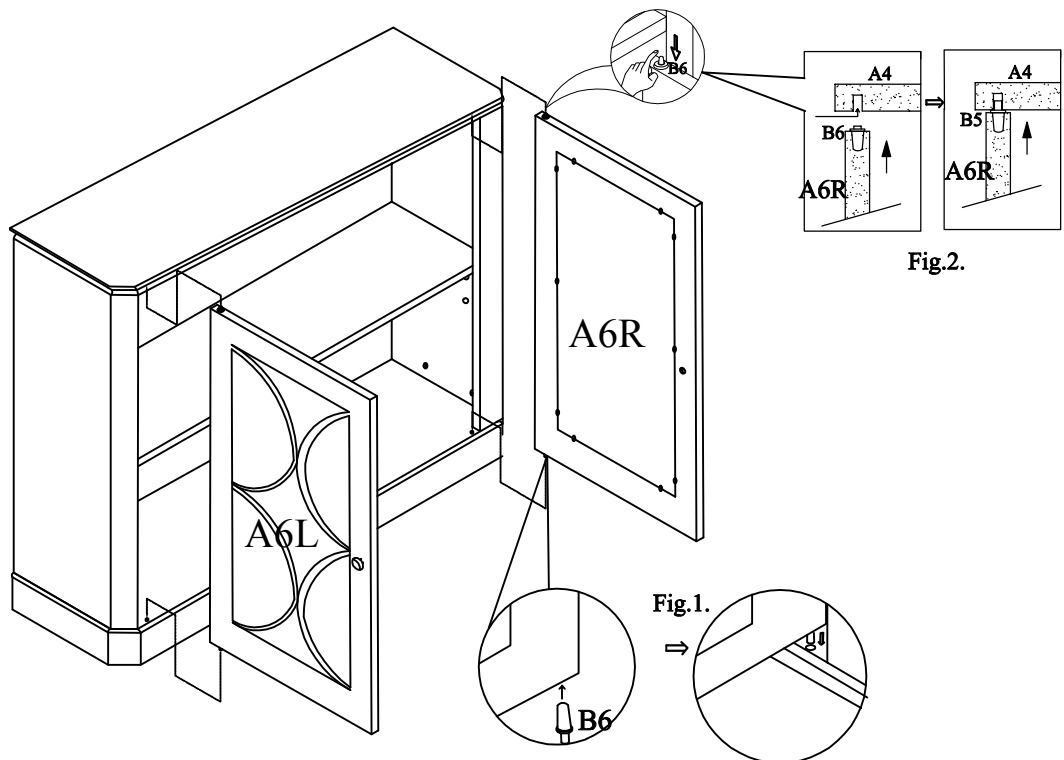
Inserts Shelf Supports B4 into the holes on Side Panels A1(L&R), then put Shelf A5 onto Supports B4.

STEP 5



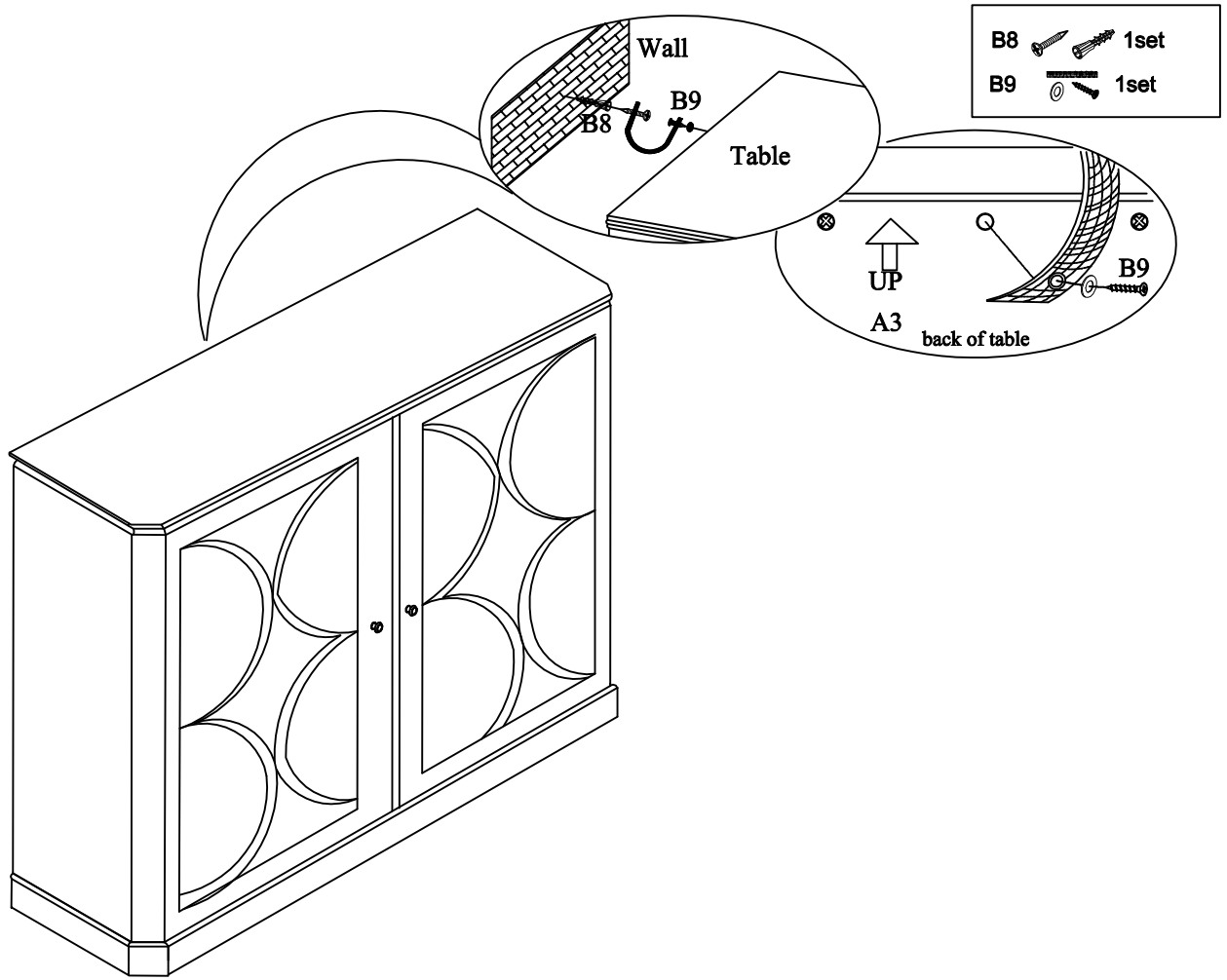
Attach Knobs B5 to Doors A6 (R&L) with included bolts, then insert Door Pins B6 into the holes on both ends of Doors A6(L&R).

STEP 6



- 1). Insert Door Pin B6 into the hole on the bottom of Door Panel A6R, then connect Door Panel A6R to Bottom Panel A2 as drawing Fig.1.
- 2). Insert Door Pin B6 into the hole on the top of Door Panel A6R, then press down Door Pin B6 (see Fig.2.) and hold the door panel carefully into the cabinet with the door pin popping up into the hole of Top Panel A4.
- 3). Repeat the above steps to assemble the other door panel A6L.

STEP 6



For your safety ,please attach this unit to the wall by Wall Anchor B8 with screws and Anti-tip Kit B9.

APPENDIX: Dimension of Hardwares in this AI.

<p>B1.</p> <p>1-1/8" L</p> <p>Dia: 1/4"</p> <p>Cam-bol t</p>	<p>B1.</p> <p>9/16"</p> <p>3/8"</p> <p>Cam-nut</p>	<p>B2.</p> <p>1-3/16" L</p> <p>Dia: 1/4"</p> <p>Screw</p>
<p>B3.</p> <p>15/32" L</p> <p>Dia: 1/8"</p> <p>Screw</p>	<p>B5.</p> <p>5/8" L</p> <p>Dia: 5/32"</p> <p>Bol t</p>	<p>B7.</p> <p>15/32" L</p> <p>Dia: 1/8"</p> <p>Screw</p>