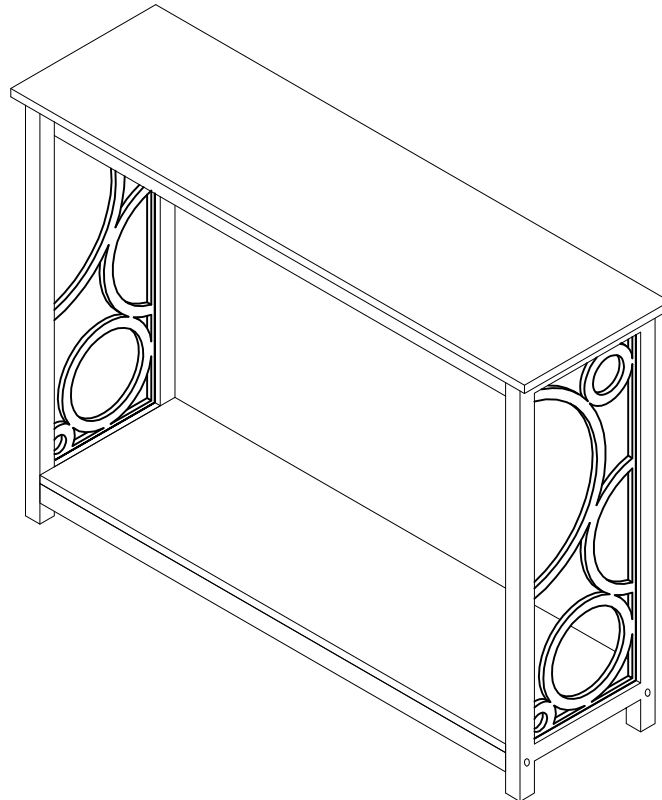


# ASSEMBLY INSTRUCTIONS

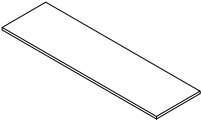
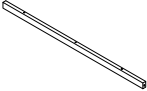

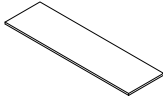
## Style # C1286 Console Table



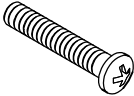

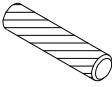


### NOTE TO CUSTOMERS:

- For ease and speed of assembly we recommend that before you commence each step of the assembly that you identify all the parts required to complete that step.
- We recommend that where possible you allow sufficient space to assemble the item as close as possible to the place where it will be once assembled.
- For the protection of your furniture we recommend that the product is placed on protected surfaces during assembly to prevent any damage.
- During assembly do not over tighten, as this may damage the product.
- Please ensure you retain all the product packaging until the item completely assembled.
- Please periodically check all fittings and re-tighten as necessary.
- Please never allow any liquids to remain on your furniture as absorption can cause the wood to warp or finish to de-laminate.
- It is recommended that this item should be assembled by two adults.

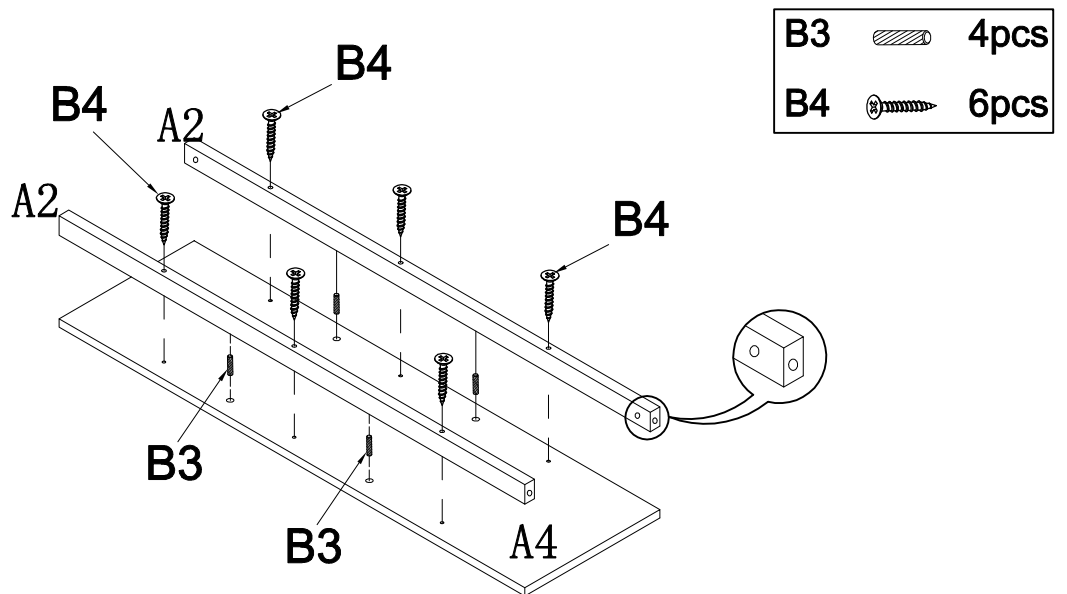
## Part List

<b>A1.</b> Quantity of 1 	<b>A2.</b> Quantity of 4 	<b>A3.</b> Quantity of 2 	<b>A4.</b> Quantity of 1 
Top Panel	Apron	Side Panel (L&R)	Bottom Panel

## Hardware List

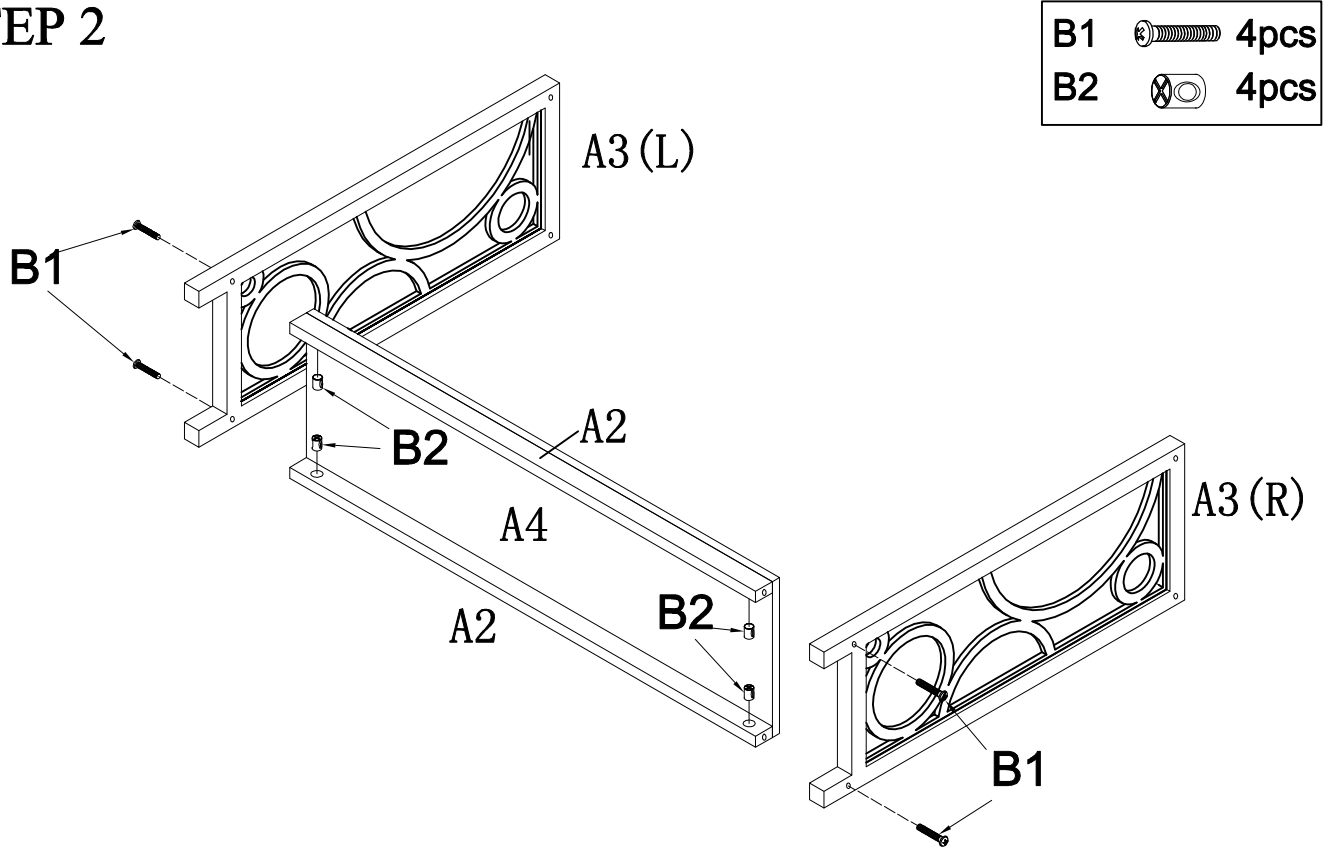
<b>B1</b> Quantity of 8 	<b>B2</b> Quantity of 8 	<b>B3</b> Quantity of 8 	<b>B4</b> Quantity of 12 
Bolt	Nut	Wood Dowel	Screw
<b>B5</b> Quantity of 8 			
Wood Cap			

## STEP 1



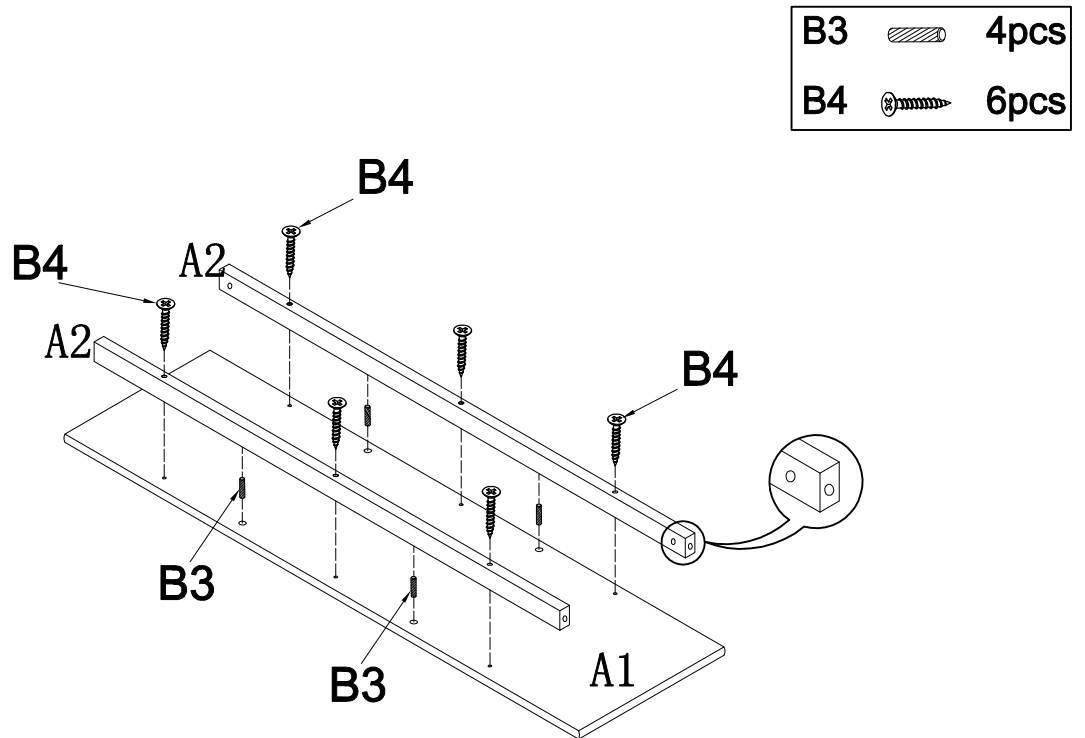
**Assemble Aprons (A2) to Bottom Panel (A4) using Wood Dowels (B3) and Screws (B4).**

## STEP 2



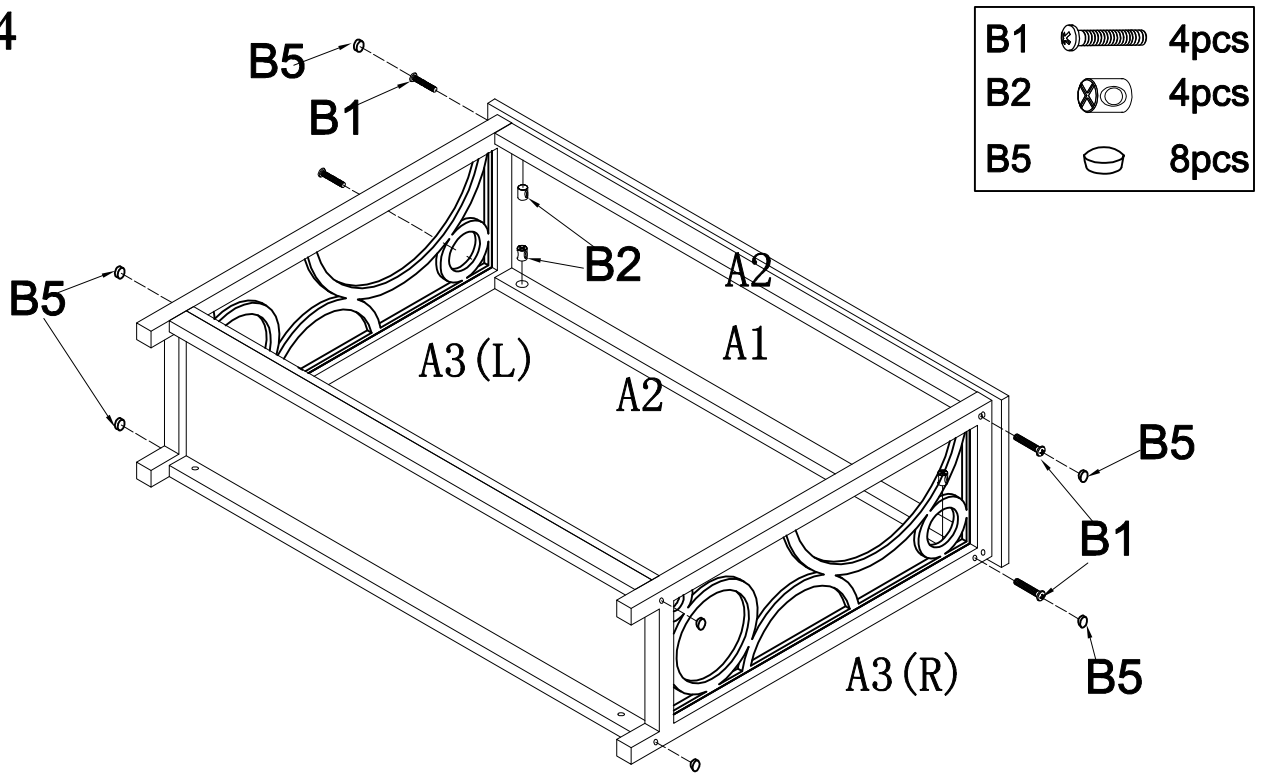
Assemble Side Panels A3(L&R) to Aprons (A2) using Bolts (B1) and Nuts (B2).

## STEP 3



Assemble Aprons (A2) to Top Panel (A1) using Wood Dowels (B3) and Screws (B4).

# STEP 4



Assemble Side Panels A3(L&R) to Aprons (A2) using Bolts (B1) and Nuts (B2). Then insert Wood Caps (B5) as shown above.

## APPENDIX: Dimension of Hardwares in this AI.

<p>B1.</p> <p>Bolt for Handle</p>	<p>B2.</p> <p>Nut</p>	<p>B3.</p> <p>Wood Dowel</p>
<p>B4.</p> <p>Screw</p>		