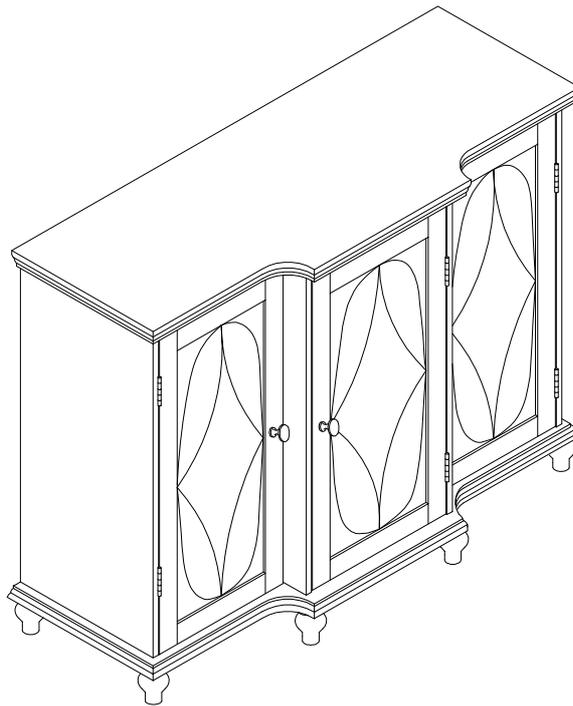


# ASSEMBLY INSTRUCTIONS

## Style # C1279/C1283 Console Table



### NOTE TO CUSTOMERS:

- For ease and speed of assembly we recommend that before you commence each step of the assembly that you identify all the parts required to complete that step.
- We recommend that where possible you allow sufficient space to assemble the item as close as possible to the place where it will be once assembled.
- For the protection of your furniture we recommend that the product is placed on protected surfaces during assembly to prevent any damage.
- During assembly do not over tighten, as this may damage the product.
- Please ensure you retain all the product packaging until the item completely assembled.
- Please periodically check all fittings and re-tighten as necessary.
- Please never allow any liquids to remain on your furniture as absorption can cause the wood to warp or finish to de-laminate.
- It is recommended that this item should be assembled by two adults.

## To insert a cam lock: (Please read below instructions before assembling)

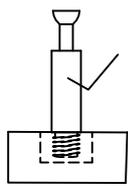
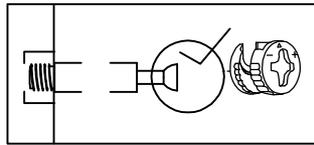


Diagram A



1. Insert cam screw into hole as shown in diagram A .

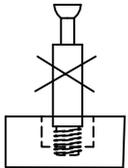
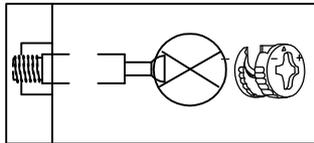


Diagram B



Make sure not to insert the cam screw:  
Too deep as shown in figure B as this will cause the  
cam screw to be misaligned and unable to  
interlock properly.

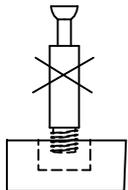
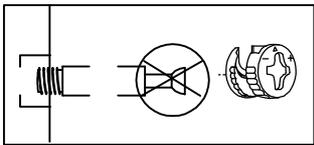
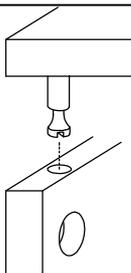


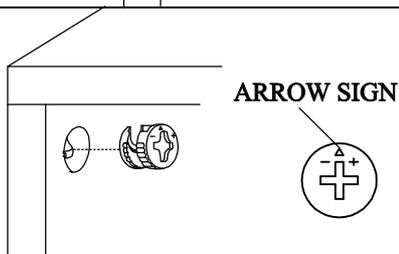
Diagram C



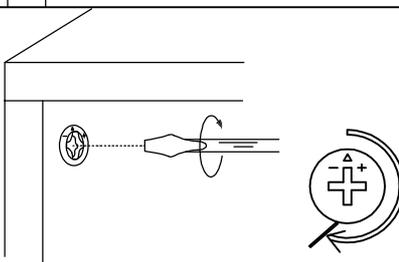
Also avoid inserting the cam screw too close to the  
surface of the hole as shown in figure C, as this will  
cause the cam lock to be too loose, and not interlock  
properly.



2. Connect the panels together.



3. When inserting the cam lock make sure the arrow  
of the cam lock faces the cam screw.



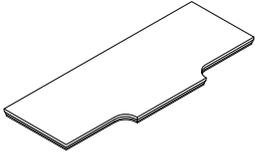
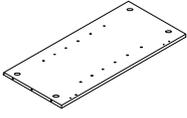
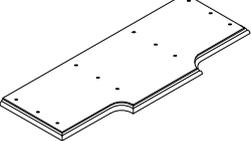
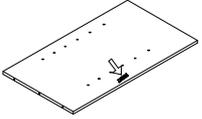
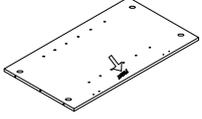
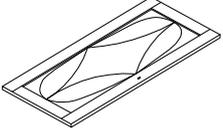
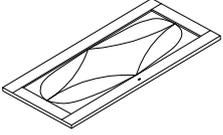
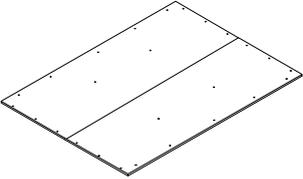
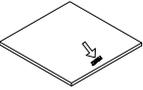
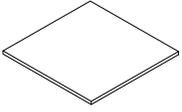
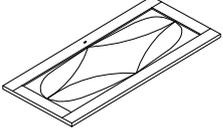
4. To tighten the cam lock turn the cam lock clockwise  
90-180 degree or until the arrow is facing opposite  
the place cam lock was inserted.

**NOTE: DO NOT USE AN AUTOMATIC  
SCREWDRIVER TO TIGHTEN CAM LOCKS.**

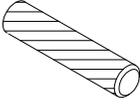
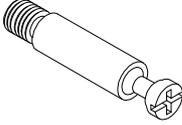
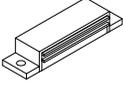
### Note:

- Read these instructions carefully before assembling.
- Tools required : Phillips screwdriver, flat screwdriver.
- Find a clean, smooth area on which to work , such as a carpet, in order to avoid scratching the wood surfaces.
- Wait to dispose of the packing material until assembly is complete and all parts and hardware are accounted for.
- Two or more people might be required for assembly.

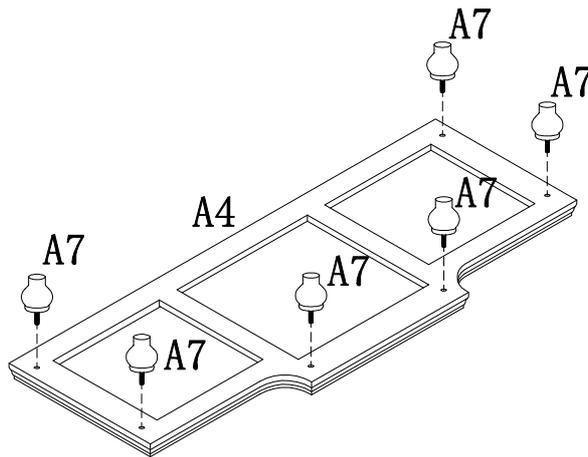
# Part List

<p>A1.                   Quantity                           of 1</p>  <p>Top Panel</p>	<p>A2.                   Quantity                           of 1</p>  <p>Side Panel (Left)</p>	<p>A3.                   Quantity                           of 1</p>  <p>Side Panel (Right)</p>	<p>A4.                   Quantity                           of 1</p>  <p>Bottom Panel</p>
<p>A5.                   Quantity                           of 1</p>  <p>Divider (Left)</p>	<p>A6.                   Quantity                           of 1</p>  <p>Divider (Right)</p>	<p>A7.                   Quantity                           of 6</p>  <p>Leg</p>	<p>A8.                   Quantity                           of 1</p>  <p>Door (left)</p>
<p>A9.                   Quantity                           of 1</p>  <p>Door (center)</p>	<p>A10.                  Quantity                           of 1</p>  <p>Back Panel</p>	<p>A11.                  Quantity                           of 4</p>  <p>Shelf</p>	<p>A12.                  Quantity                           of 2</p>  <p>Shelf (center)</p>
<p>A13.                  Quantity                           of 1</p>  <p>Door (right)</p>			

# Hardware List

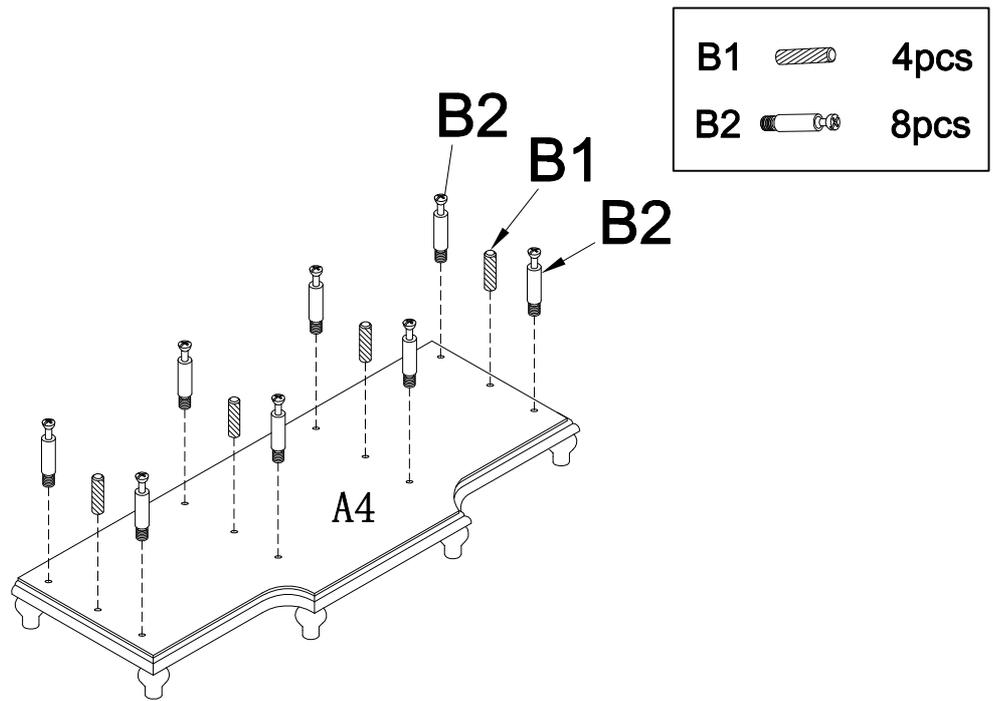
<p>B1. Quantity of 8</p>  <p>Wood Dowel</p>	<p>B2. Quantity of 16</p>  <p>Cam-bolt</p>	<p>B3. Quantity of 16</p>  <p>Cam-Lock</p>	<p>B4. Quantity of 3</p>  <p>Magnet</p>
<p>B5. Quantity of 30</p>  <p>Screw</p>	<p>B6. Quantity of 6</p>  <p>Hinge</p>	<p>B7. Quantity of 32</p>  <p>Screw</p>	<p>B8. Quantity of 3</p>  <p>Bolt</p>
<p>B9. Quantity of 3</p>  <p>Door Knob</p>	<p>B10. Quantity of 24</p>  <p>Shelf Support</p>		

## STEP 1



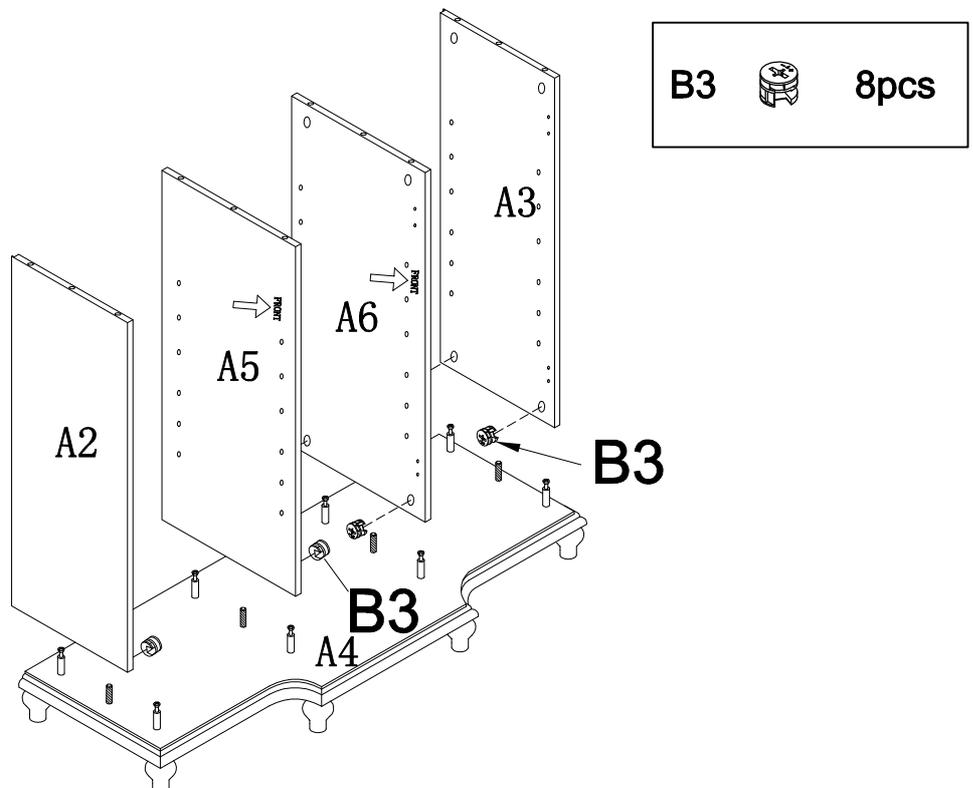
**Assemble Legs (A7) to the bottom of Bottom Panel (A4).**

## STEP 2



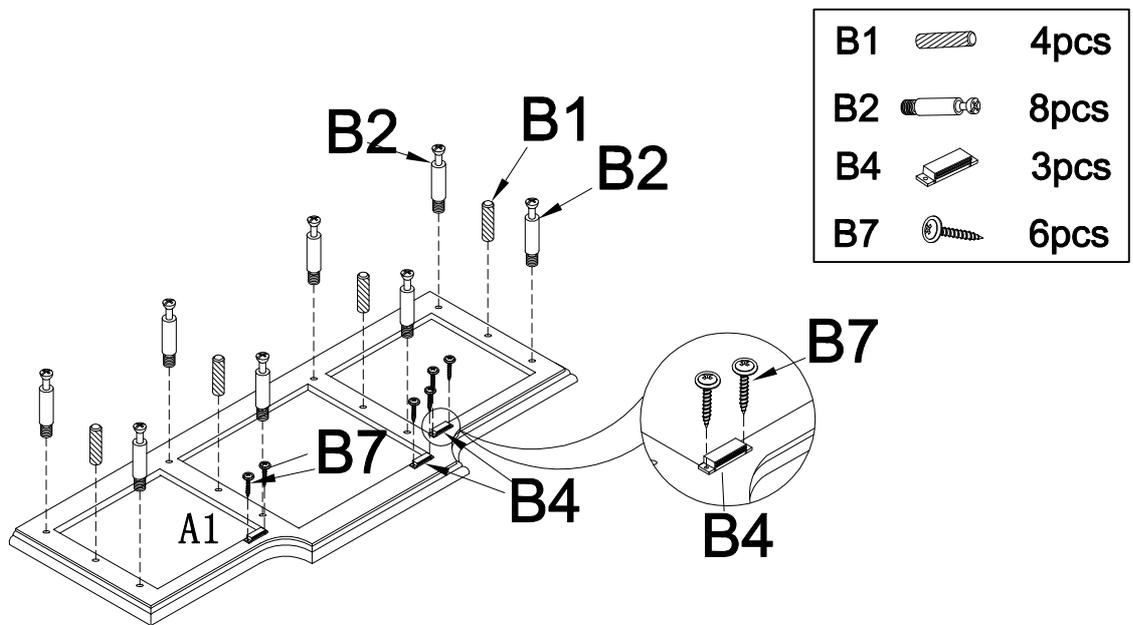
Insert Wood Dowels (B1) and Cam-bolts (B2) into the holes on Bottom Panel (A4), then tighten Cam-bolts (B2).

## STEP 3



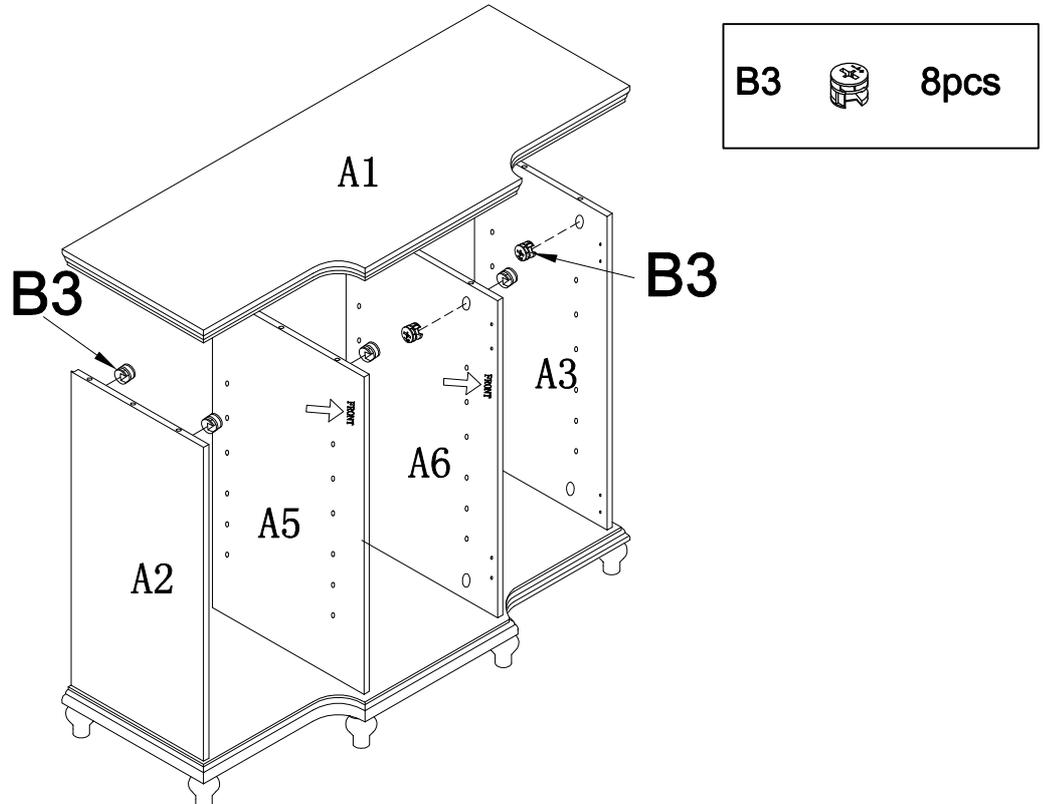
Attach Side Panels (A2&A3) and Dividers (A5&A6) to Bottom Panel (A4), then insert Cam-locks (B3) and attach to Cam-bolts (B2).

## STEP 4



Attach Magnets (B4) to bottom of Top Panel (A1) using Screws (B7).  
Insert Wood Dowels (B1) and Cam-bolts (B2) into the holes on Top Panel (A1), then tighten Cam-bolts (B2).

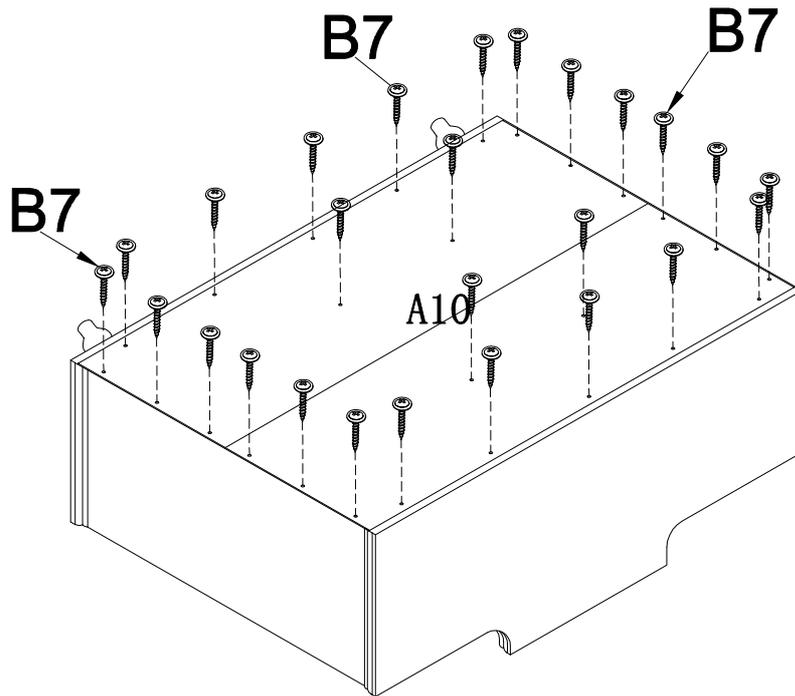
## STEP 5



Attach Top Panel (A1) to Side Panels (A2&A3) and Dividers (A5&A6), then insert Cam-locks (B3) and attach to Cam-bolts (B2).

# STEP 6

B7  26pcs

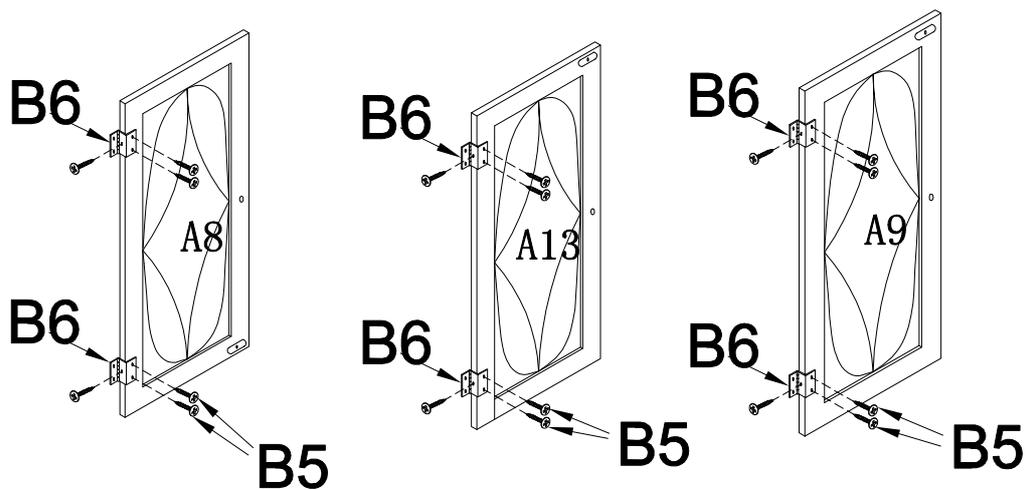


Attach Back Panel (A10) to the back of this unit using Screws (B7).

# STEP 7

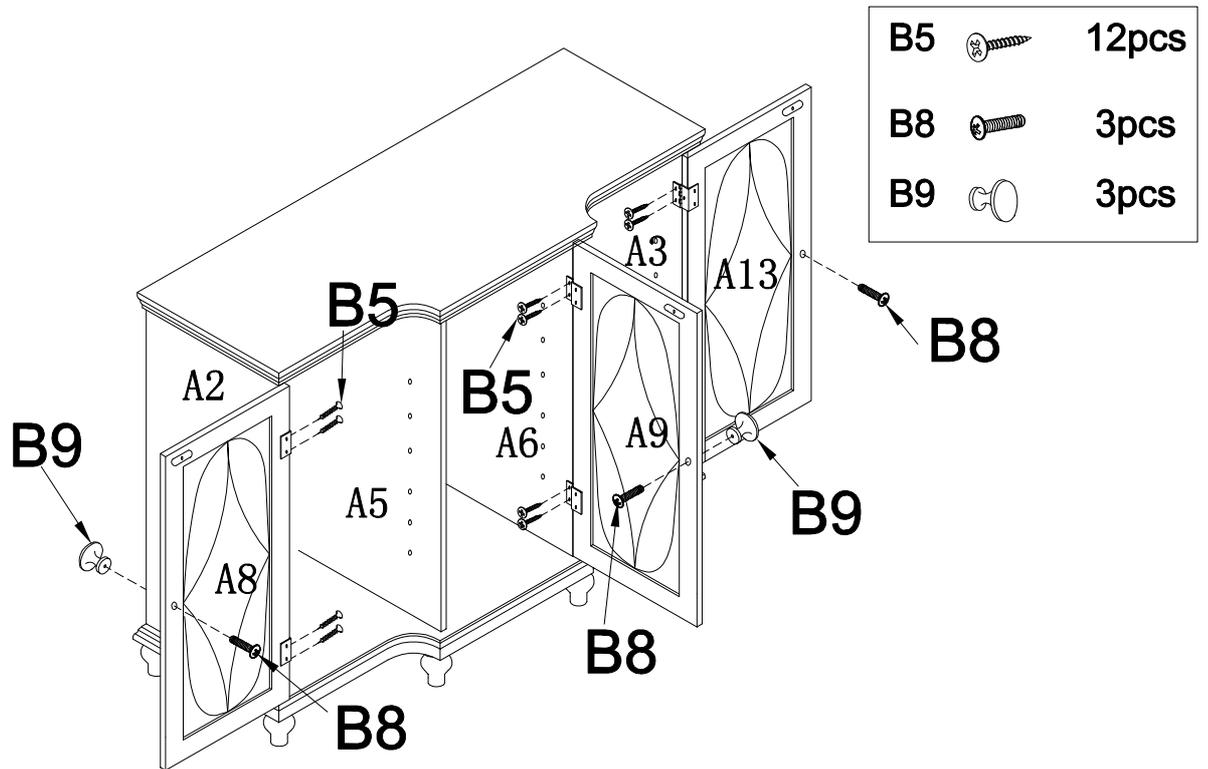
B5  18pcs

B6  6pcs



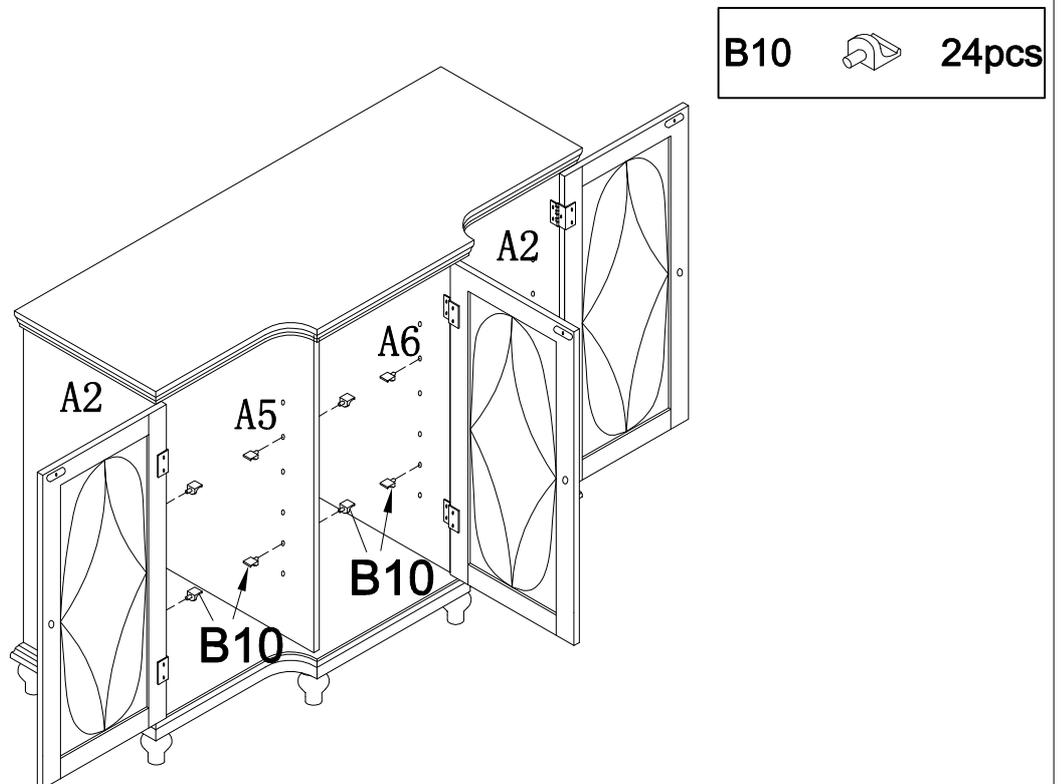
Attach Hinges (B6) to Doors (A8&A9&A13) using Screws (B5) as shown above.

## STEP 8



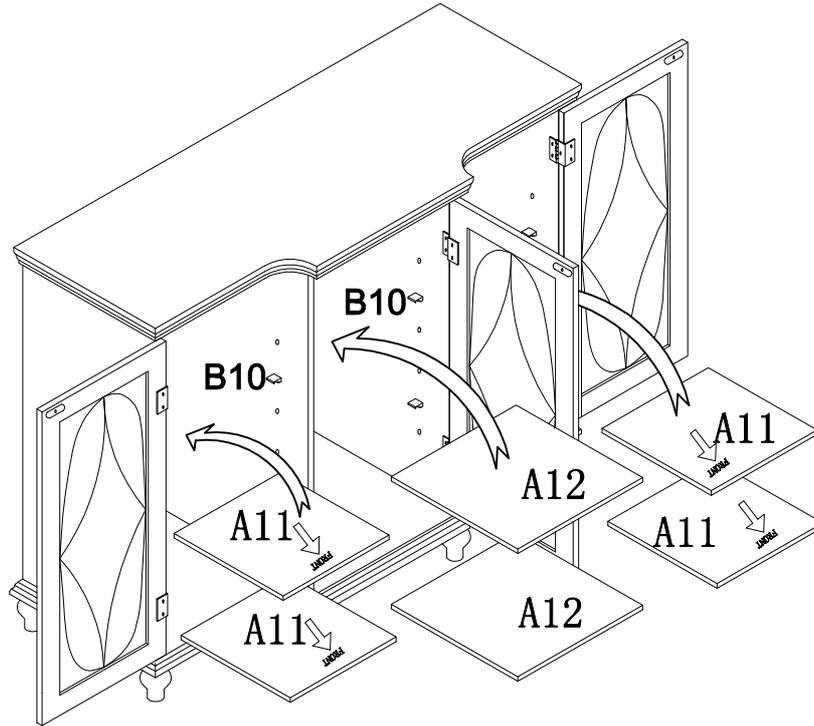
Attach Hinges (B6) to Side Panels (A2&A3) and Divider (A6) using Screws (B5) as shown. Attach Door Knobs (B9) to Doors (A8&A9&A13) using Bolts (B8).

## STEP 9



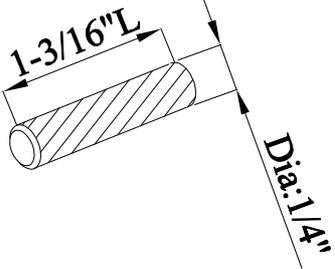
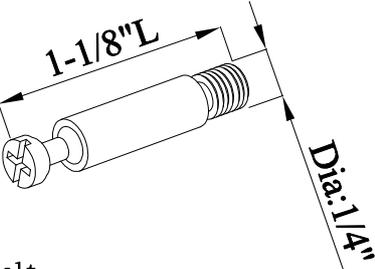
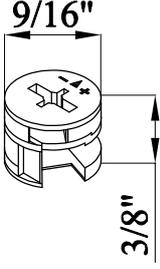
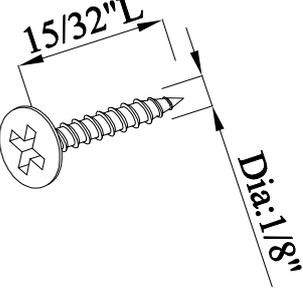
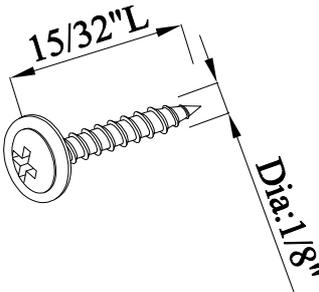
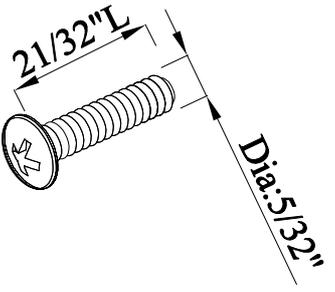
Insert Shelf Supports (B10) into the holes on Side Panels (A2&A3) and Dividers (A5&A6).

# STEP 10



Place Shelves (A11&A12) on top of Shelf Supports (B10).

## APPENDIX: Dimension of Hardwares in this AI.

<p>B1.</p>  <p>Wood Dowel</p>	<p>B2.</p>  <p>Cam-bolt</p>	<p>B3.</p>  <p>Cam-Lock</p>
<p>B5.</p>  <p>Screw</p>	<p>B7.</p>  <p>Screw</p>	<p>B8.</p>  <p>Bolt</p>