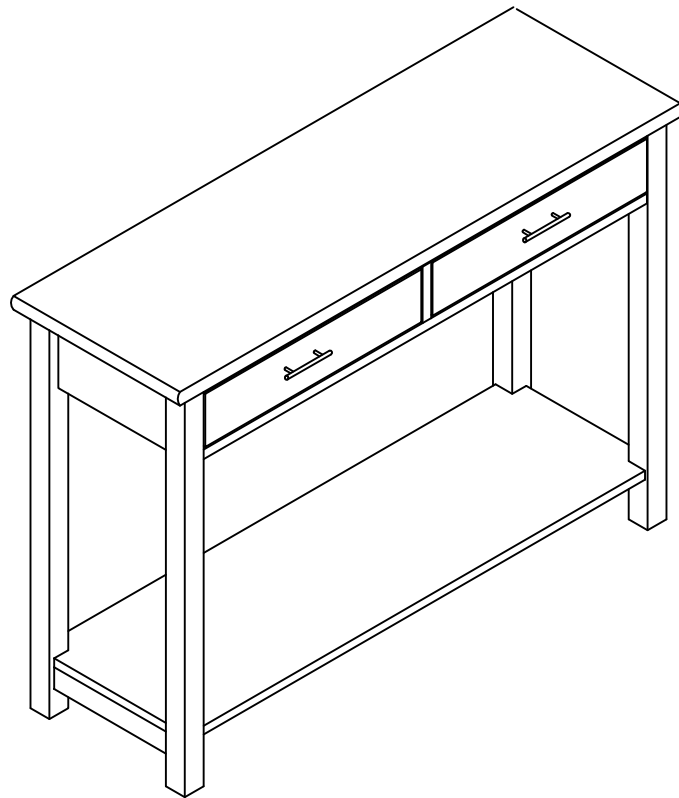


ASSEMBLY INSTRUCTIONS

Style # C1276 Console Table



NOTE TO CUSTOMERS:

- For ease and speed of assembly we recommend that before you commence each step of the assembly that you identify all the parts required to complete that step.
- We recommend that where possible you allow sufficient space to assemble the item as close as possible to the place where it will be once assembled.
- For the protection of your furniture we recommend that the product is placed on protected surfaces during assembly to prevent any damage.
- During assembly do not over tighten, as this may damage the product.
- Please ensure you retain all the product packaging until the item completely assembled.
- Please periodically check all fittings and re-tighten as necessary.
- Please never allow any liquids to remain on your furniture as absorption can cause the wood to warp or finish to de-laminate.
- It is recommended that this item should be assembled by two adults.

To insert a cam lock: (Please read below instructions before assembling)

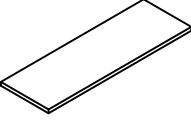
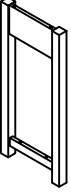
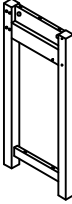
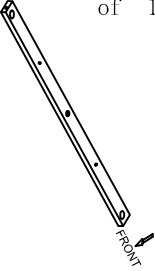
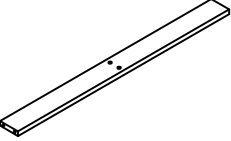
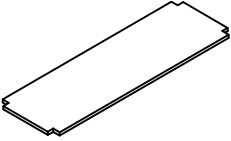
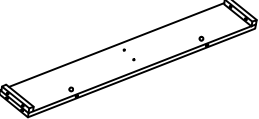
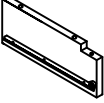
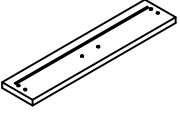
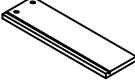
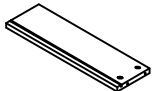
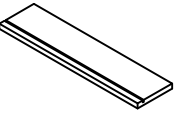
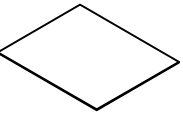
	<p>Diagram A</p>	<p>1. Insert cam screw into hole as shown in diagram A .</p>
	<p>Diagram B</p>	<p>Make sure not to insert the cam screw: Too deep as shown in figure B as this will cause the cam screw to be misaligned and unable to interlock properly.</p>
	<p>Diagram C</p>	<p>Also avoid inserting the cam screw too close to the surface of the hole as shown in figure C, as this will cause the cam lock to be too loose, and not interlock properly.</p>

	<p>2. Connect the panels together.</p>
<p>ARROW SIGN</p>	<p>3. When inserting the cam lock make sure the arrow of the cam lock faces the cam screw.</p>
	<p>4. To tighten the cam lock turn the cam lock clockwise 90-180 degree or until the arrow is facing opposite the place cam lock was inserted.</p>
<p>NOTE: DO NOT USE AN AUTOMATIC SCREWDRIVER TO TIGHTEN CAM LOCKS.</p>	

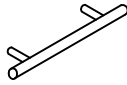

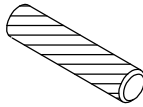
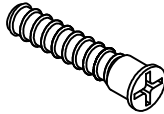
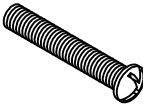


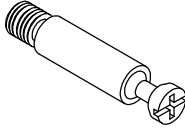




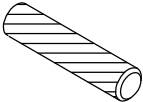


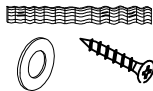
Note:

- Read these instructions carefully before assembling.
- Tools required : Phillips screwdriver, flat screwdriver.
- Find a clean, smooth area on which to work , such as a carpet, in order to avoid scratching the wood surfaces.
- Wait to dispose of the packing material until assembly is complete and all parts and hardware are accounted for.
- Two or more people might be required for assembly.

Part List

<p>A1 Quantity of 1</p>  <p>Top Panel</p>	<p>A2 Quantity of 1</p>  <p>Left Side Panel</p>	<p>A3 Quantity of 1</p>  <p>Right Side Panel</p>	<p>A4 Quantity of 1</p>  <p>Cross Bar</p>
<p>A5 Quantity of 1</p>  <p>Cross Bar</p>	<p>A6 Quantity of 1</p>  <p>Bottom panel</p>	<p>A7 Quantity of 1</p>  <p>Back Panel</p>	<p>A8 Quantity of 1</p>  <p>Divider</p>
<p>A9 Quantity of 2</p>  <p>Drawer Front Panel</p>	<p>A10 Quantity of 2</p>  <p>Drawer Side Panel</p>	<p>A11 Quantity of 2</p>  <p>Drawer Side Panel</p>	<p>A12 Quantity of 2</p>  <p>Drawer Back Panel</p>
<p>A13 Quantity of 2</p>  <p>Drawer Bottom Panel</p>			

Hardware List

B1 Quantity of 2	B2 Quantity of 4	B3 Quantity of 10	B4 Quantity of 2
			
Drawer Handle	Bolt	Wood Dowel	Bolt
B5 Quantity of 4	B6 Quantity of 13	B7 Quantity of 8	B8 Quantity of 17
			
Bolt	Large Cam-Lock	Flat Washer	Cam-Bolt
B9 Quantity of 2	B10 Quantity of 8	B11 Quantity of 4	B12 Quantity of 8
			
Large Screw	Spring Washer	Small Cam-Lock	Small Screw
B13 Quantity of 4	B14 Quantity of 4	B15 Quantity of 1	B16 Quantity of 1
			
Wood Dowel	Bolt	Anchor with screw	Anti-tip kit



WARNING:

Serious or fatal crushing injuries can occur from furniture tip-over.

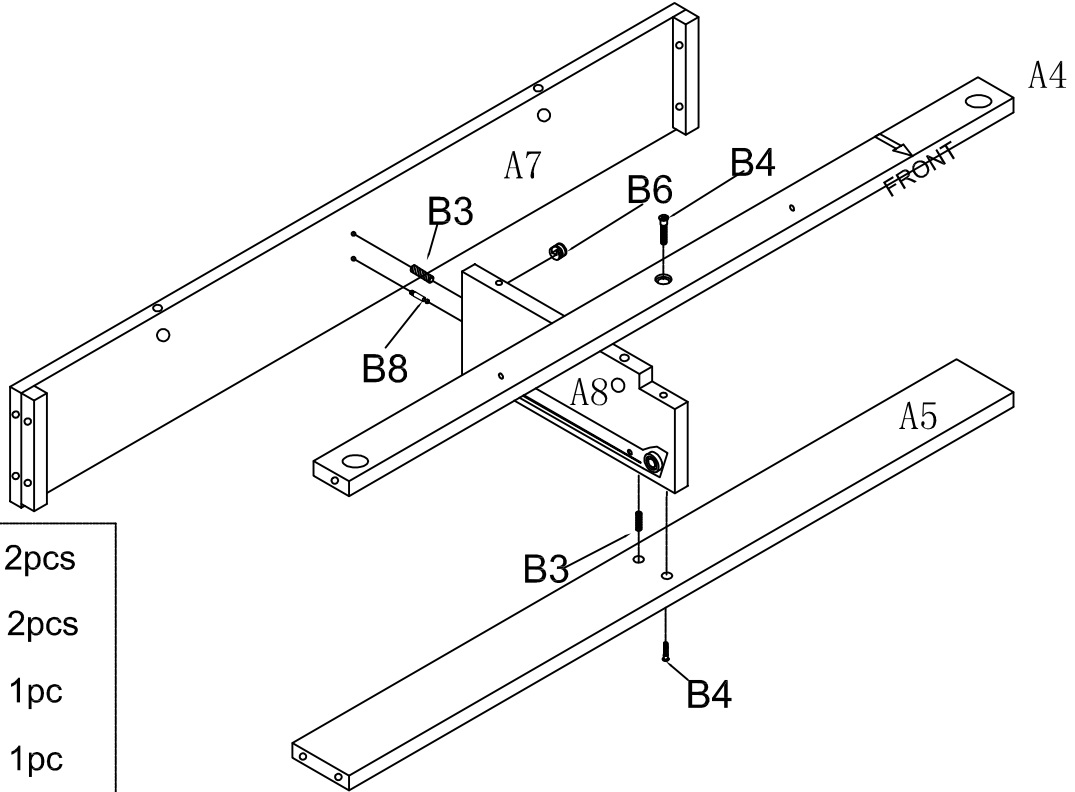
To help prevent tip-over:

- Place heaviest item in the lowest drawers.
- Unless specifically designed to accommodate, do not set TVs or other heavy objects on top of this product.
- Never allow children to climb or hang on drawers, doors or shelves.
- Never open more than one drawer at a time. (OR)
- Do not defeat or remove the drawer interlock system.

Use of tip-over restraints may only reduce, but not eliminate the risk of tip-over.

STEP 1:

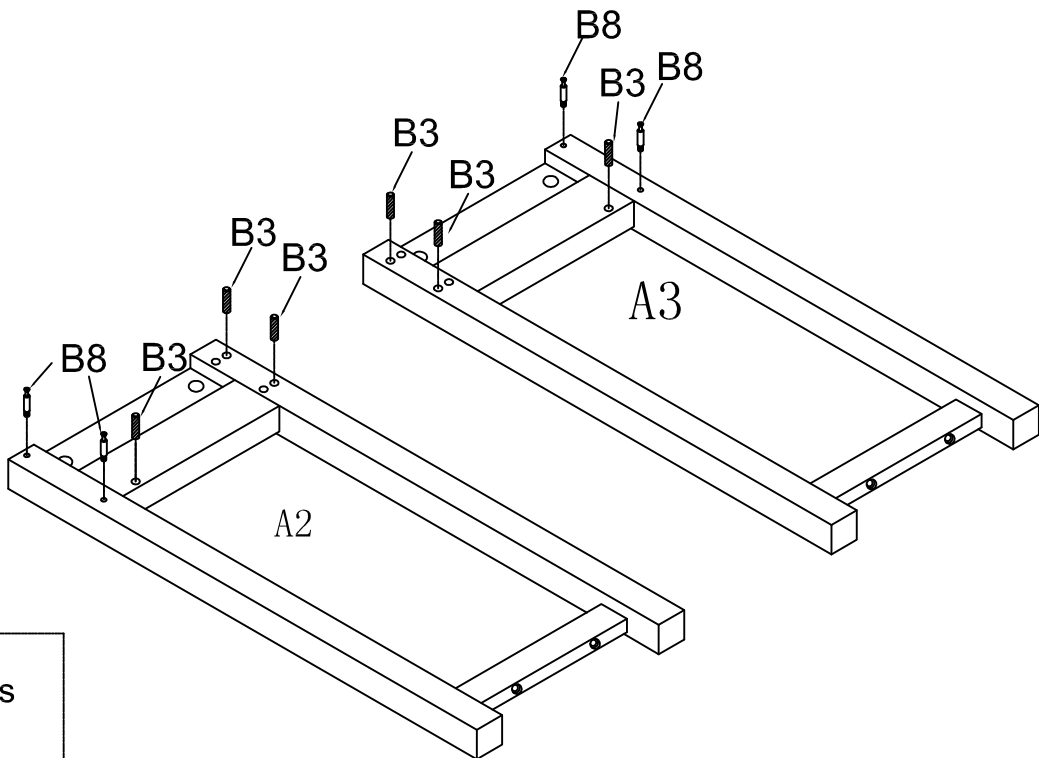
- 1). Assemble Divider (A8) to Back Panel (A7) using Wood Dowel (B3), Cam-bolt (B8) and Large Cam-lock (B6).
- 2). Assemble Cross Bar (A4) to Divider (A8) using Bolt (B4).
- 3). Assemble Cross Bar (A5) to Divider (A8) using Bolt (B4) and Wood Dowel (B3).



B3		2pcs
B4		2pcs
B6		1pc
B8		1pc

STEP 2:

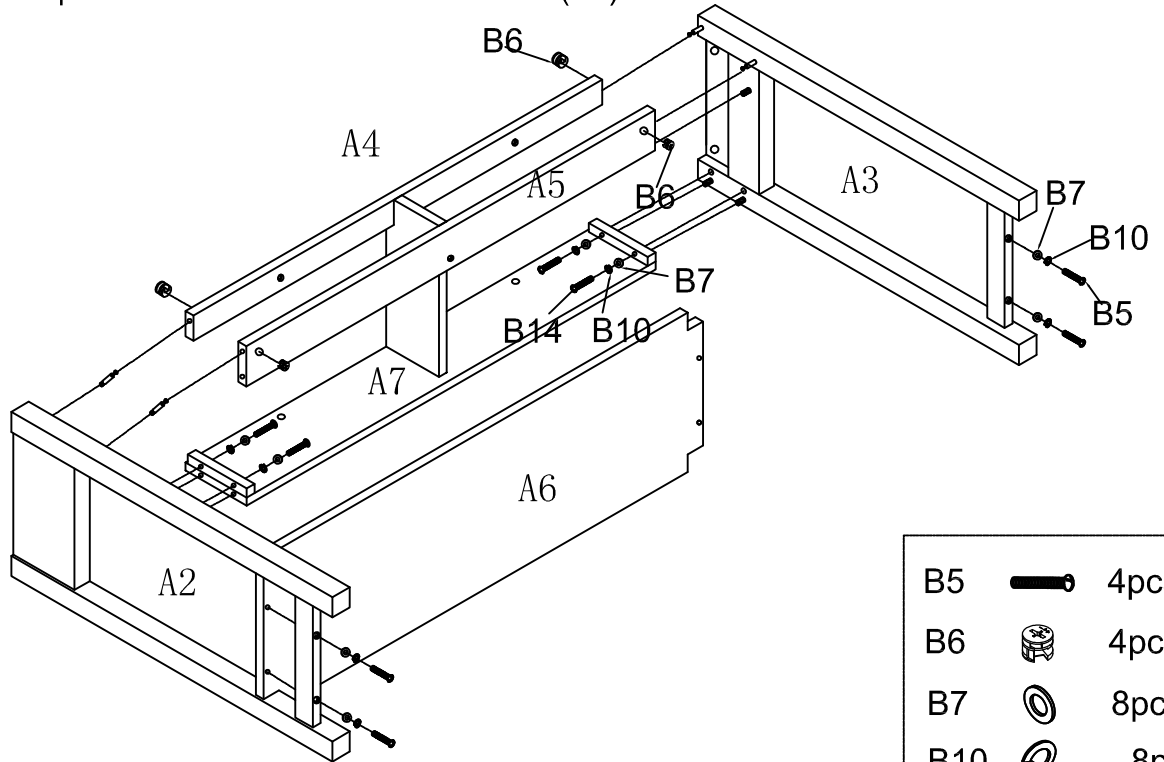
Insert Wood Dowels (B3) and Cam-bolts (B8) into the holes of Side Panels (A2&A3).








B3		6pcs
B8		4pcs

STEP 3:

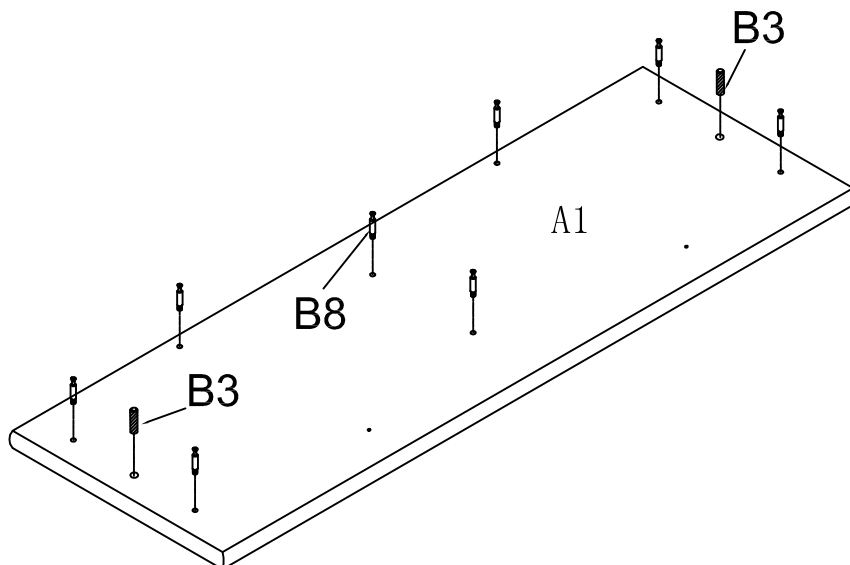
- 1). Assemble Cross Bars (A4&A5) to Left Side Panel(A2) using Wood Dowels(B3)and Cam-bolt (B8) & Large Cam-lock (B6).
- 2). Assemble Back Panel (A7) to Left Side Panel (A2) using Bolts (B14),Spring Washers (B10) ang Flat Washers (B7).
- 3). Assemble Bottom Panel (A6) to Left Side Panel (A2) using Bolts (B5),Spring Washers (B10) ang Flat Washers (B7).
- 4). Repeat above step to assemble the other Side Panel (A3).





B5		4pcs
B6		4pcs
B7		8pcs
B10		8pcs
B14		4pcs

STEP 4:

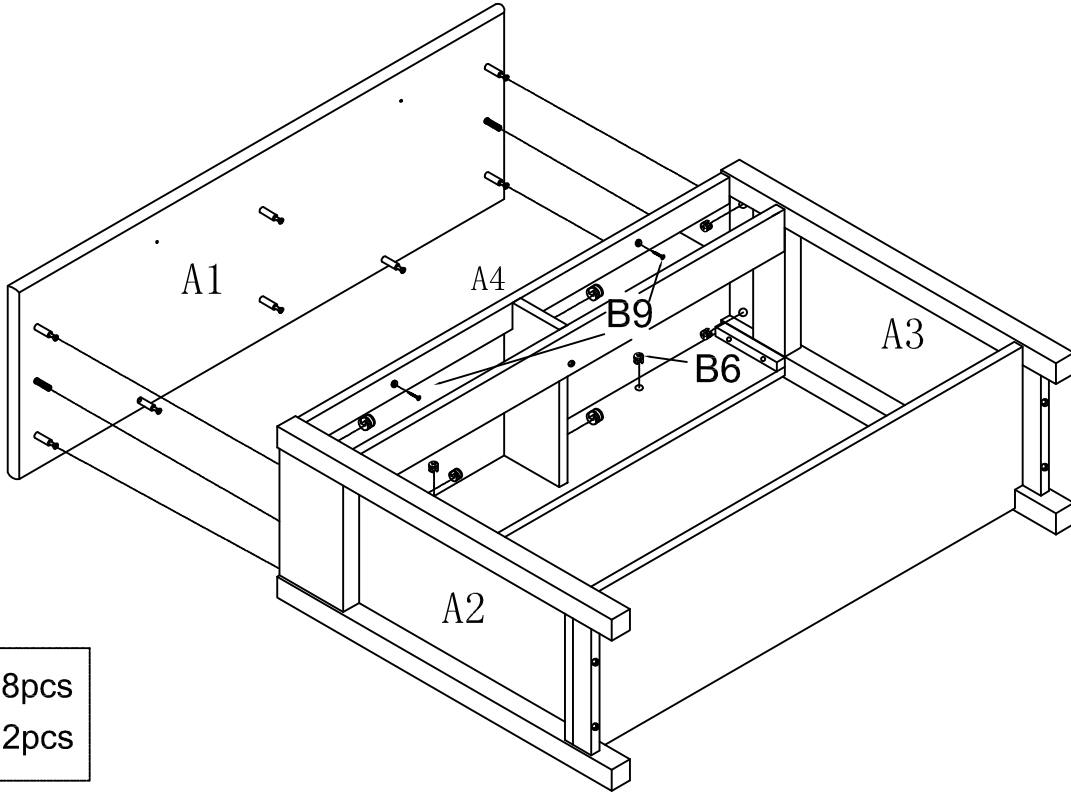
Insert Wood Dowels (B3) and Cam-bolts (B8) into the holes of Top Panel (A1).





B3		2pcs
B8		8pcs

STEP 5:

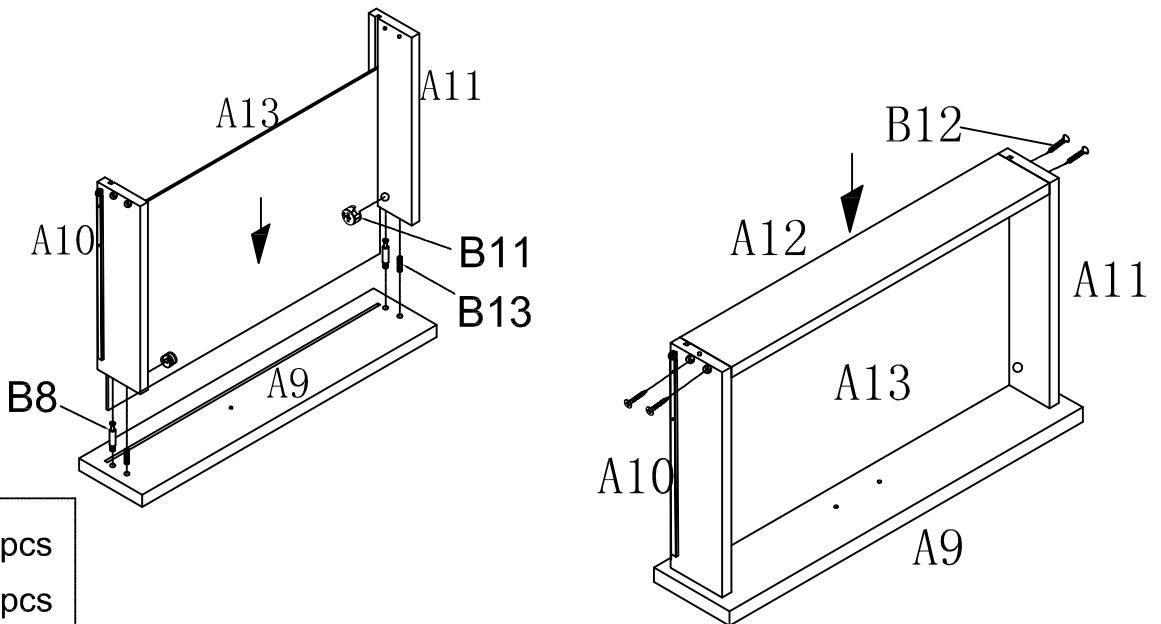
- 1). Attach Top Panel (A1) to Side Panels (A2&A3), Back Panel (A7) and Divider (A8).
- 2). Insert Large Cam-locks (B6) into the holes of Side Panels (A2&A3), Back Panel (A7) and Divider (A8) to catch Cam-bolts (B8), then tighten Large Cam-locks (B6).
- 3). Tighten Top Panel (A1) to Cross Bar (A4) using Large Screws (B9).







B6		8pcs
B9		2pcs

STEP 6:

- 1). Insert Drawer Bottom Panel (A13) into the grooves of Drawer Front Panel (A9).
- 2). Assemble Drawer Side Panel (A10&A11) to Drawer Front Panel (A9) and Drawer Bottom Panel (A13) using Wood Dowels (B13), Cam-bolts (B8) and Small Cam-locks (B11).
- 3). Assemble Drawer Back Panel (A12) to Drawer Side Panels (A10&A11) and Drawer Bottom Panel (A13) using Small Screws (B12).

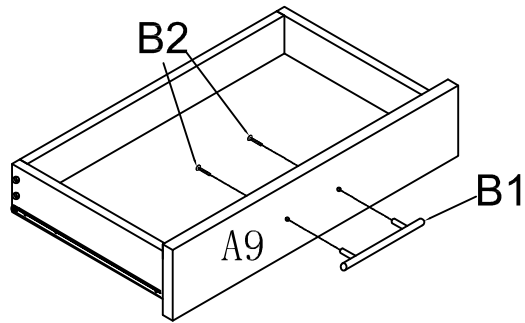


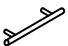

B8		4pcs
B13		4pcs
B11		4pcs
B12		8pcs

X2

STEP 7:

Attach Drawer Handle (B1) onto Drawer Front Panel (A9) using Bolts (B2) .



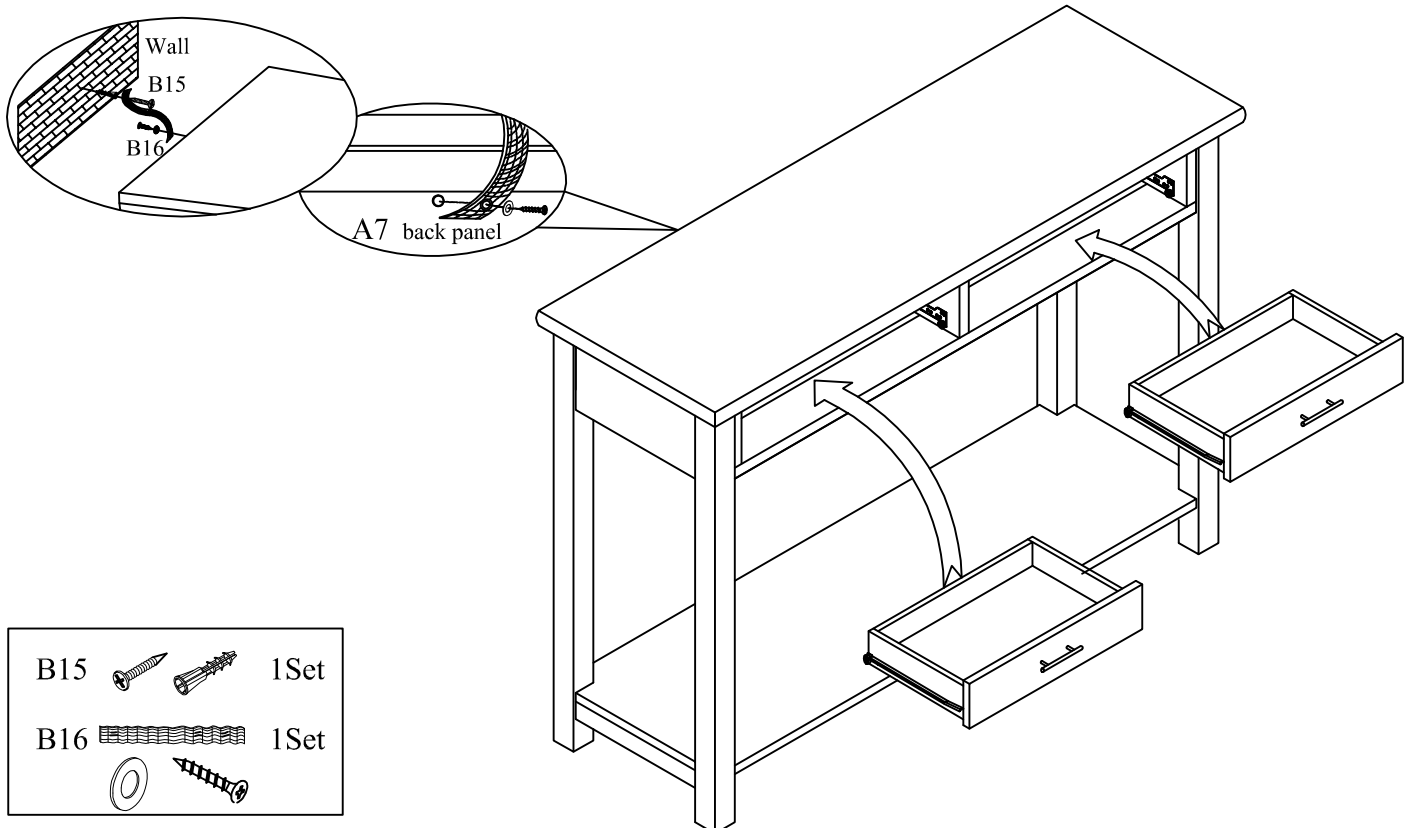
B1		2pcs
B2		4pcs


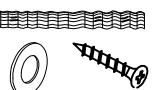
X2

STEP 8:

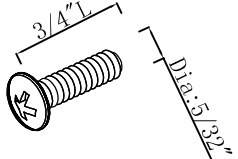
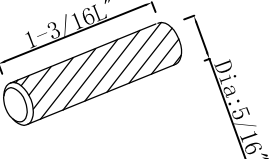
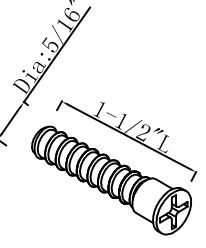
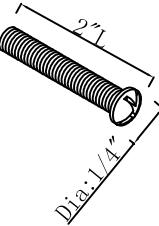
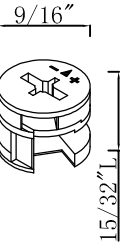
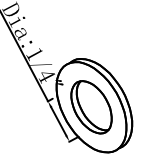
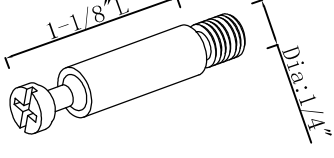
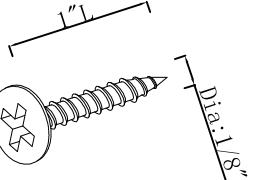

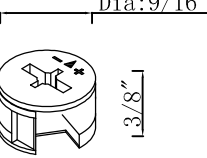
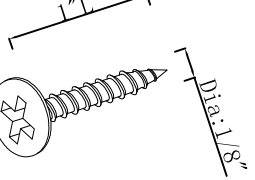
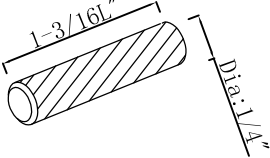
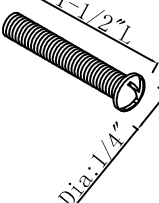
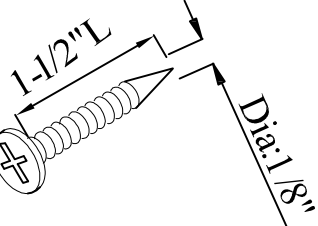
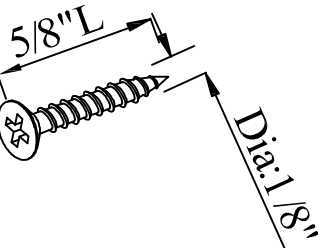
1).Insert the drawers into the unit.

2).For your safety,please attach the unit to the wall by Anchor with screw B15 and Anti-tip kit B16.



B15		1Set
B16		1Set

APPENDIX: Dimension of Hardwares in this AI.

<p>B2</p>  <p>Bolt</p>	<p>B3</p>  <p>Wood Dowel</p>	<p>B4</p>  <p>Bolt</p>
<p>B5</p>  <p>Bolt</p>	<p>B6</p>  <p>Cam-Lock</p>	<p>B7</p>  <p>Flat Washer</p>
<p>B8</p>  <p>Cam-Bolt</p>	<p>B9</p>  <p>Screw</p>	<p>B10</p>  <p>Spring Washer</p>
<p>B11</p>  <p>Cam-Lock</p>	<p>B12</p>  <p>Screw</p>	<p>B13</p>  <p>Wood Dowel</p>
<p>B14</p>  <p>Bolt</p>	<p>B15</p>  <p>Screw</p>	<p>B16</p>  <p>Screw</p>