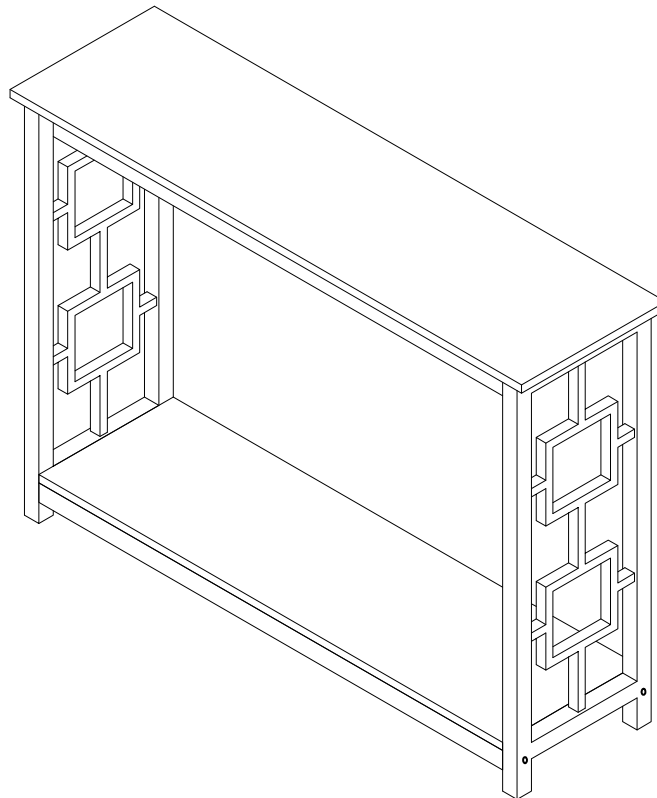


ASSEMBLY INSTRUCTIONS

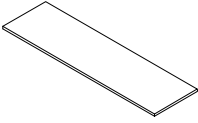
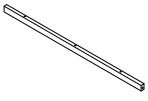
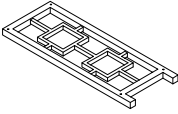
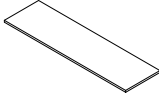
Style # C1270 Console Table



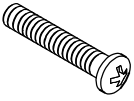

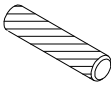



NOTE TO CUSTOMERS:

- For ease and speed of assembly we recommend that before you commence each step of the assembly that you identify all the parts required to complete that step.
- We recommend that where possible you allow sufficient space to assemble the item as close as possible to the place where it will be once assembled.
- For the protection of your furniture we recommend that the product is placed on protected surfaces during assembly to prevent any damage.
- During assembly do not over tighten, as this may damage the product.
- Please ensure you retain all the product packaging until the item completely assembled.
- Please periodically check all fittings and re-tighten as necessary.
- Please never allow any liquids to remain on your furniture as absorption can cause the wood to warp or finish to de-laminate.
- It is recommended that this item should be assembled by two adults.

Part List

A. Quantity of 1  Top Panel	B. Quantity of 4  Apron	C. Quantity of 2  Side Panel	D. Quantity of 1  Bottom Panel
---	---	---	--

Hardware List

(1) Quantity of 8  Bolt	(2) Quantity of 8  Nut	(3) Quantity of 8  Wood Dowel	(4) Quantity of 12  Screw
(5) Quantity of 8  Wood Cap	(6) Quantity of 1  Glue		

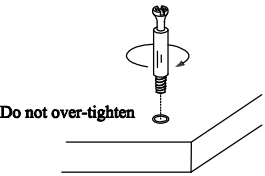
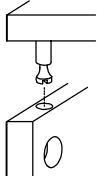
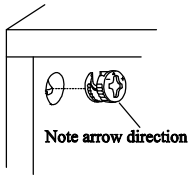
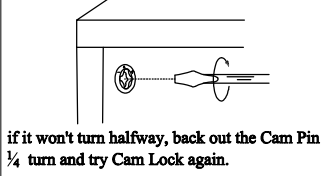
Note:

- Read these instructions carefully before assembling.
- Tools required : Phillips screwdriver, flat screwdriver.
- Find a clean, smooth area on which to work , such as a carpet, in order to avoid scratching the wood surfaces.
- Wait to dispose of the packing material until assembly is complete and all parts and hardware are accounted for.
- Two or more people might be required for assembly.

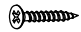

To use Dowels:

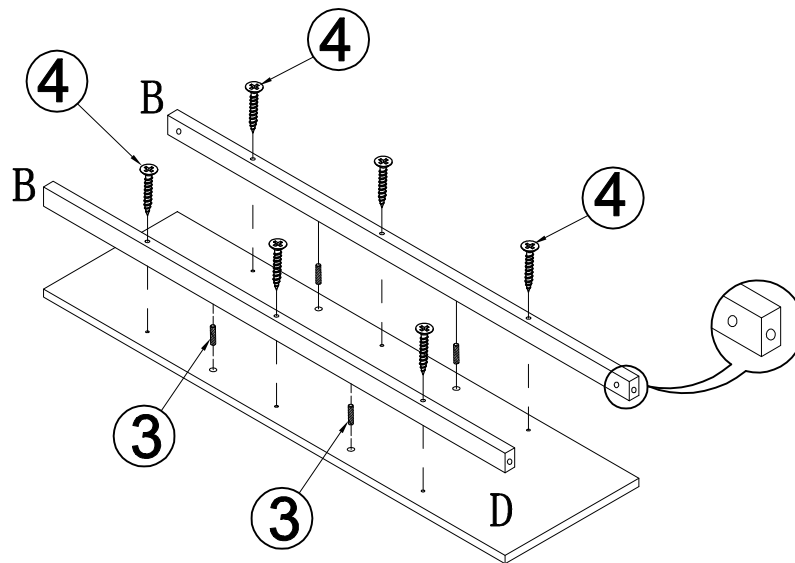
1. Add glue (about $\frac{1}{4}$ full) in the hole(s) of each board to be joined.
2. Insert the Dowel(s) and join boards.
3. Wipe excess glue with a damp paper towel.

To use Cam Locks:

1. Insert Cam Pin until snug  Do not over-tighten	2. Set boards together 	3. Insert Cam Lock  Note arrow direction	4. Turn Cam Lock clockwise (half a turn)  if it won't turn halfway, back out the Cam Pin $\frac{1}{4}$ turn and try Cam Lock again.
--	--	---	---



STEP 1

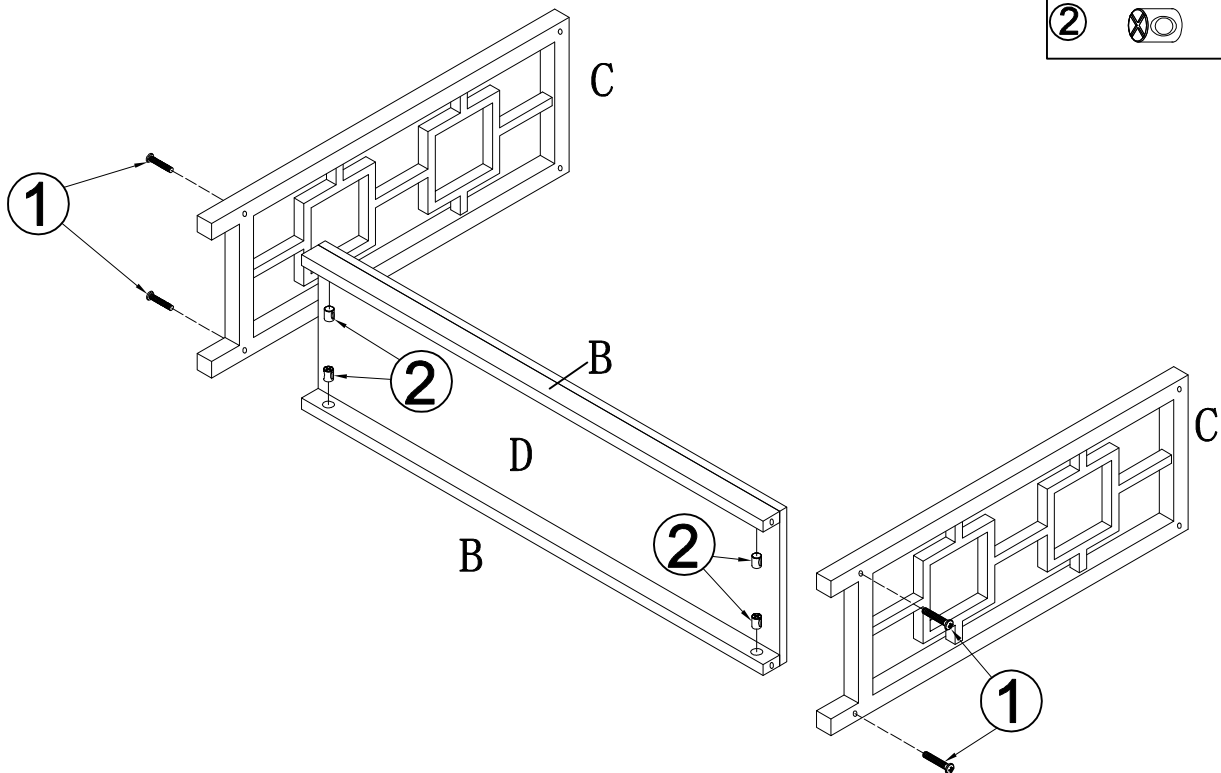
④		6pcs
③		4pcs



Assemble Aprons (B) to Bottom Panel (D) using Wood Dowels (3) and Screws (4).

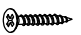

STEP 2

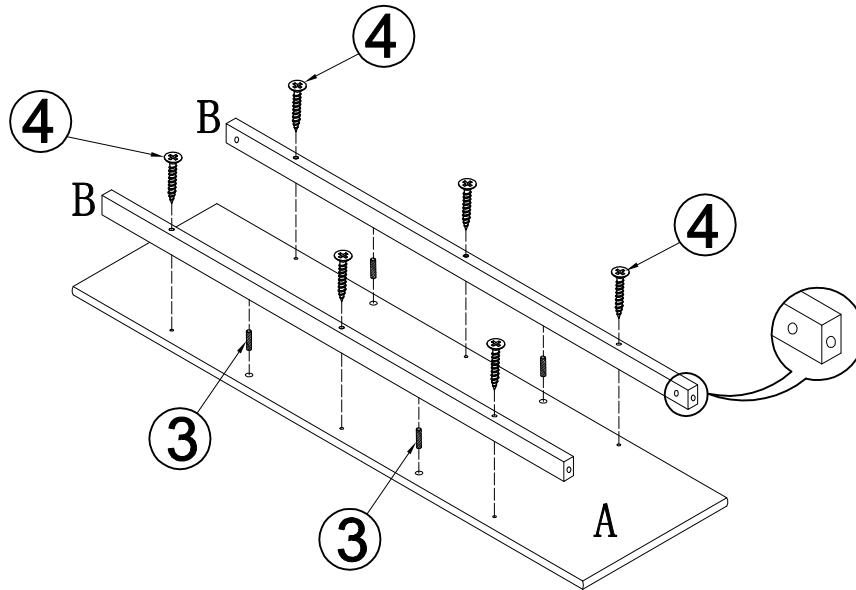
①		4pcs
②		4pcs



Assemble Side Panels (C) to Aprons (B) using Bolts (1) and Nuts (2).




STEP 3

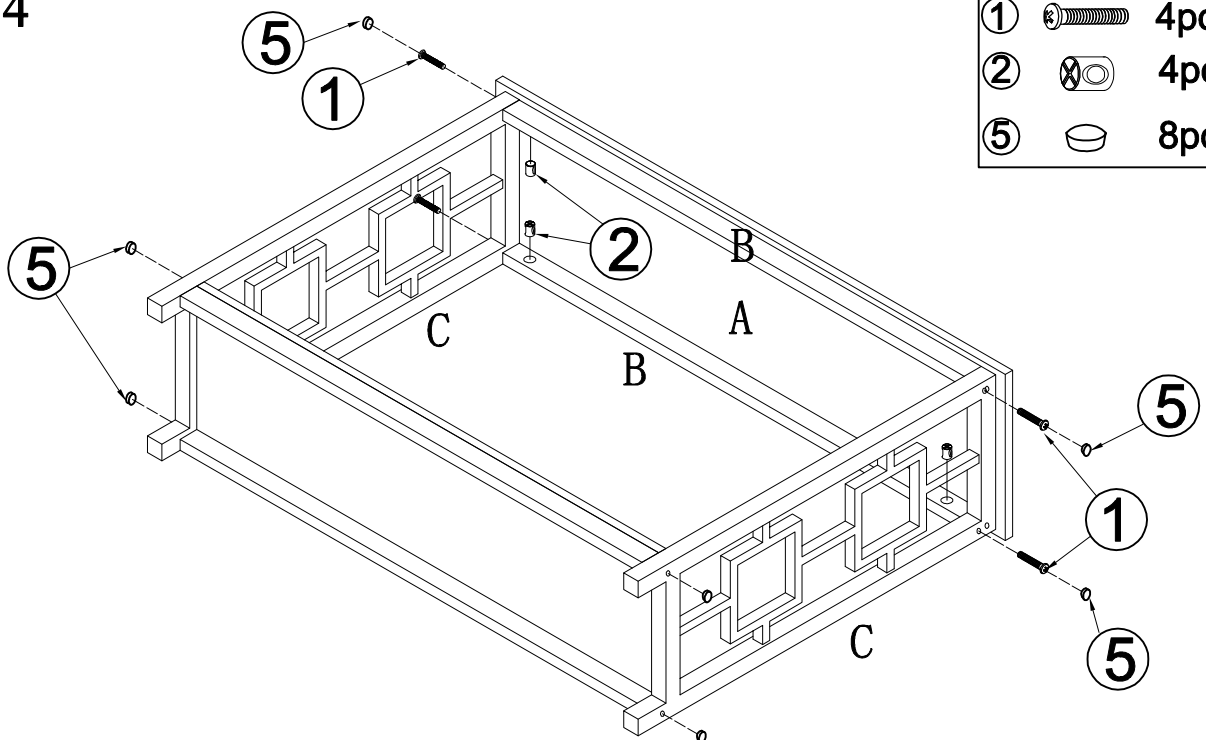
④		6pcs
③		4pcs



Assemble Aprons (B) to Top Panel (A) using Wood Dowels (3) and Screws (4).

STEP 4

①		4pcs
②		4pcs
⑤		8pcs



Assemble Side Panels (C) to Aprons (B) using Bolts (1) and Nuts (2). Then insert Wood Caps (5) as above drawing shown.