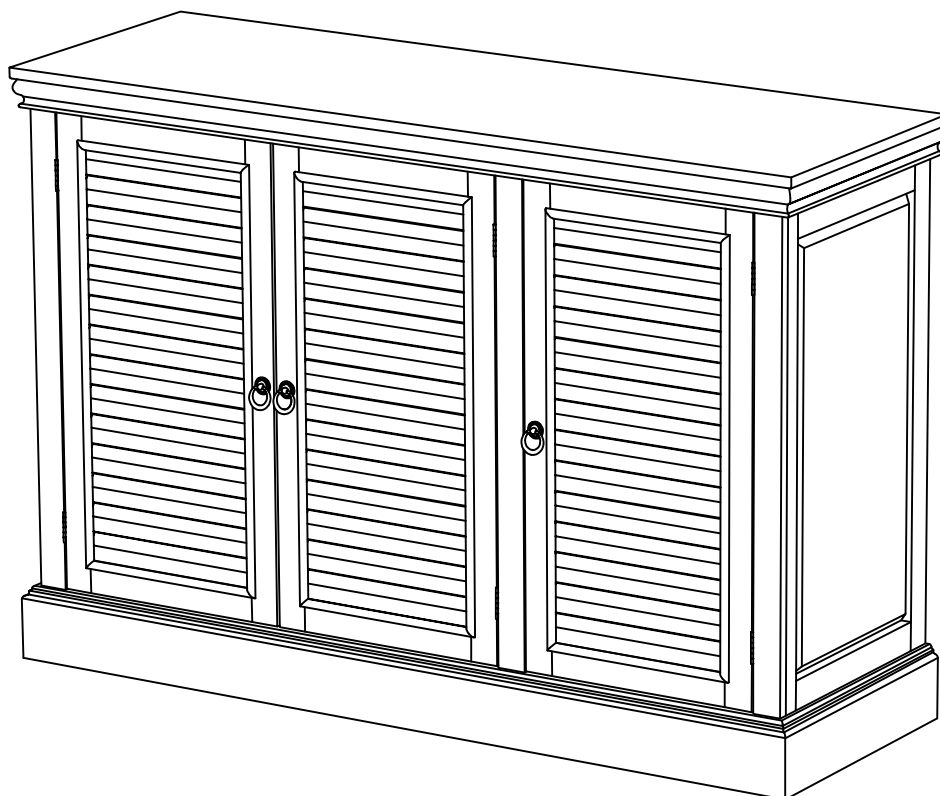


# ASSEMBLY INSTRUCTIONS

Style # C1207 Console



## NOTE TO CUSTOMERS:

- For ease and speed of assembly we recommend that before you commence each step of the assembly that you identify all the parts required to complete that step.
- We recommend that where possible you allow sufficient space to assemble the item as close as possible to the place where it will be once assembled.
- For the protection of your furniture we recommend that the product is placed on protected surfaces during assembly to prevent any damage.
- During assembly do not over tighten, as this may damage the product.
- Please ensure you retain all the product packaging until the item completely assembled.
- Please periodically check all fittings and re-tighten as necessary.
- Please never allow any liquids to remain on your furniture as absorption can cause the wood to warp or finish to de-laminate.
- It is recommended that this item should be assembled by two adults.

## To insert a cam lock: (Please read below instructions before assembling)

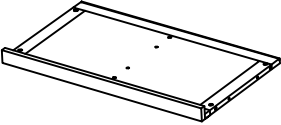
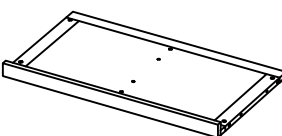
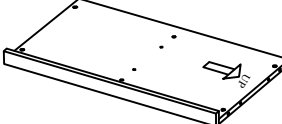
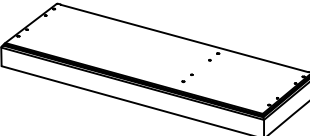
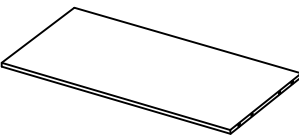
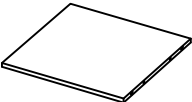
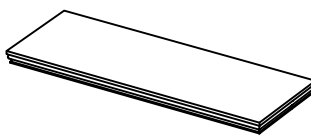
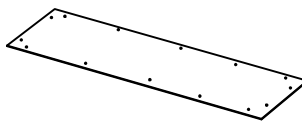
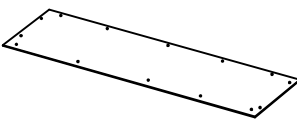
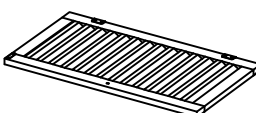
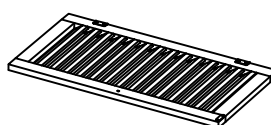
	<p><b>Diagram A</b></p>	<p>1. Insert cam screw into hole as shown in diagram A .</p>
	<p><b>Diagram B</b></p>	<p>Make sure not to insert the cam screw: Too deep as shown in figure B as this will cause the cam screw to be misaligned and unable to interlock properly.</p>
	<p><b>Diagram C</b></p>	<p>Also avoid inserting the cam screw too close to the surface of the hole as shown in figure C, as this will cause the cam lock to be too loose, and not interlock properly.</p>

	<p>2. Connect the panels together.</p>
	<p>3. When inserting the cam lock make sure the arrow of the cam lock faces the cam screw.</p>
	<p>4. To tighten the cam lock turn the cam lock clockwise 90-180 degree or until the arrow is facing opposite the place cam lock was inserted.</p> <p><b>NOTE: DO NOT USE AN AUTOMATIC SCREWDRIVER TO TIGHTEN CAM LOCKS.</b></p>

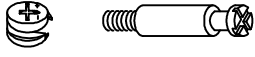



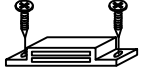

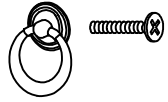


### Note:

- Read these instructions carefully before assembling.
- Tools required : Phillips screwdriver, flat screwdriver.
- Find a clean, smooth area on which to work , such as a carpet, in order to avoid scratching the wood surfaces.
- Wait to dispose of the packing material until assembly is complete and all parts and hardware are accounted for.
- Two or more people might be required for assembly.

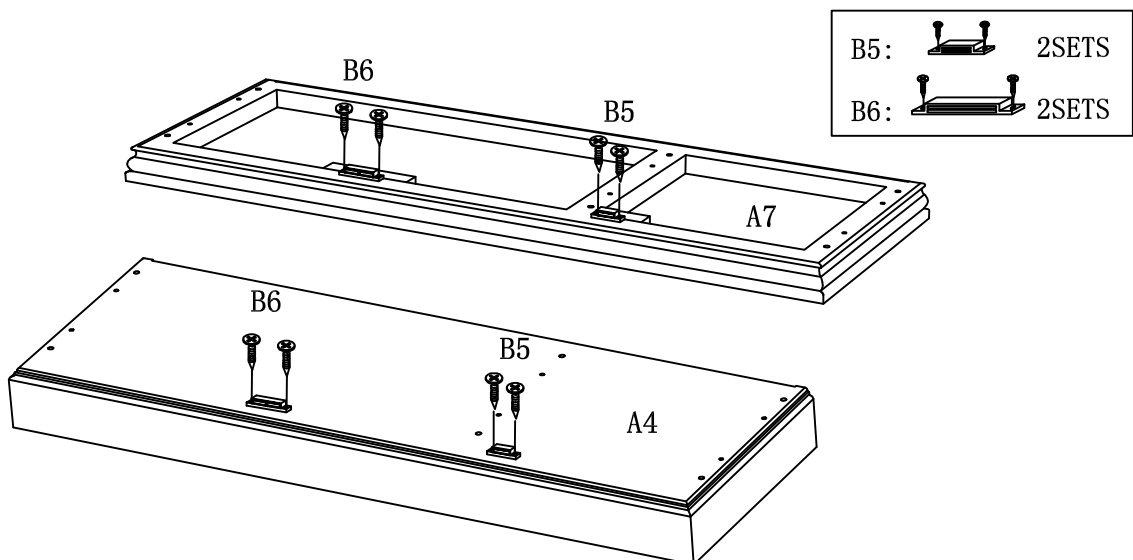
# Part List

<p>A1. Quantity of 1</p>  <p>Left Side Panel</p>	<p>A2. Quantity of 1</p>  <p>Right Side Panel</p>	<p>A3. Quantity of 1</p>  <p>Divider</p>	<p>A4. Quantity of 1</p>  <p>Bottom Panel</p>
<p>A5. Quantity of 1</p>  <p>Left Shelf</p>	<p>A6. Quantity of 1</p>  <p>Right Shelf</p>	<p>A7. Quantity of 1</p>  <p>Top Panel</p>	<p>A8. Quantity of 1</p>  <p>Back Panel</p>
<p>A9. Quantity of 1</p>  <p>Back Panel</p>	<p>A10. Quantity of 1</p>  <p>Left Door</p>	<p>A11. Quantity of 2</p>  <p>Right</p>	

# Hardware List




<p>B1. Quantity of 20</p>  <p>Camlock</p>	<p>B2. Quantity of 20</p>  <p>Wood Dowel</p>	<p>B3. Quantity of 23</p>  <p>Screw</p>	<p>B4. Quantity of 12</p>  <p>Screw</p>
<p>B5. Quantity of 2</p>  <p>Magnet</p>	<p>B6. Quantity of 2</p>  <p>Magnet</p>	<p>B7. Quantity of 3</p>  <p>Handle</p>	<p>B8. Quantity of 1</p>  <p>Anchor with screw</p>
<p>B9. Quantity of 1</p>  <p>Anti-tip kit</p>			

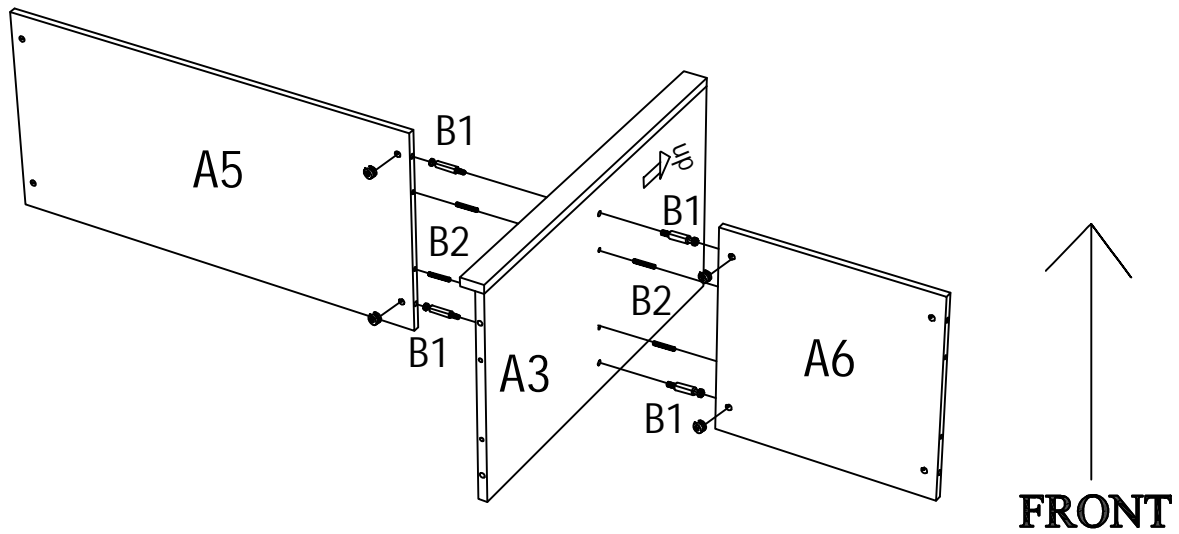
## Step 1:



- 1). Attach Magnets B5 & B6 to the bottom of Top Panel A7 using included screws.
  - 2). Attach Magnets B5 & B6 to Bottom Panel A4 using included screws.
- Note: Holes are pre-drilled.


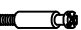

## Step 2:

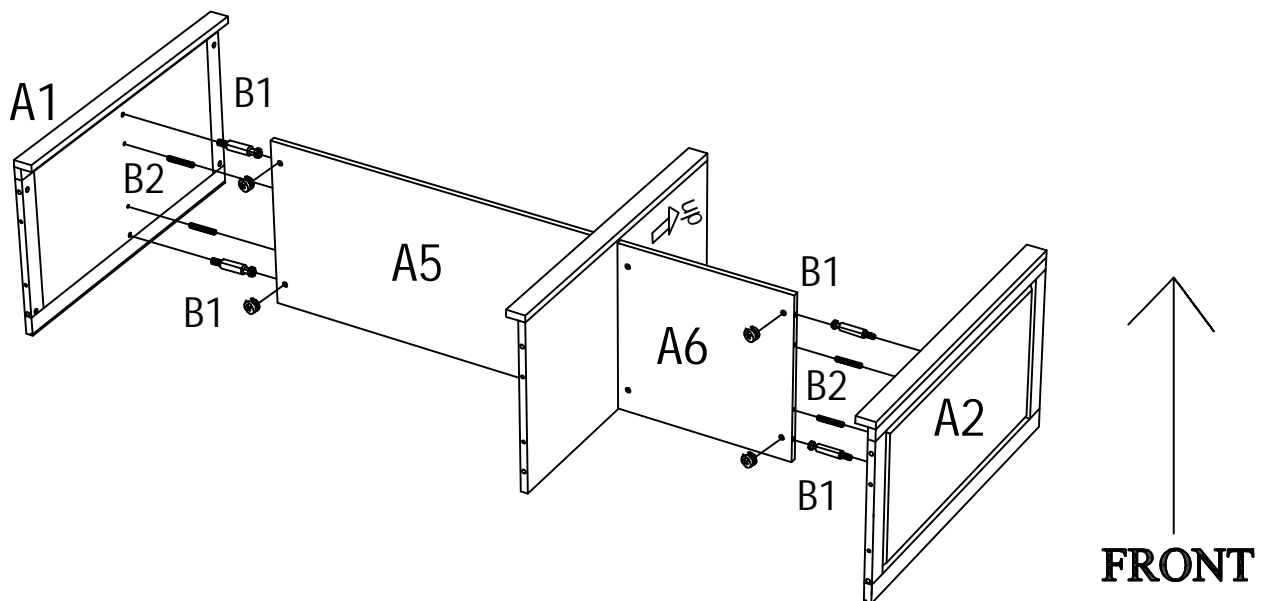
B1:			4SETS
B2:			4PCS



Assemble Shelves A5 & A6 to Divider A3 using Camlocks B1 and Wood Dowels B2 as shown above.




## Step 3:

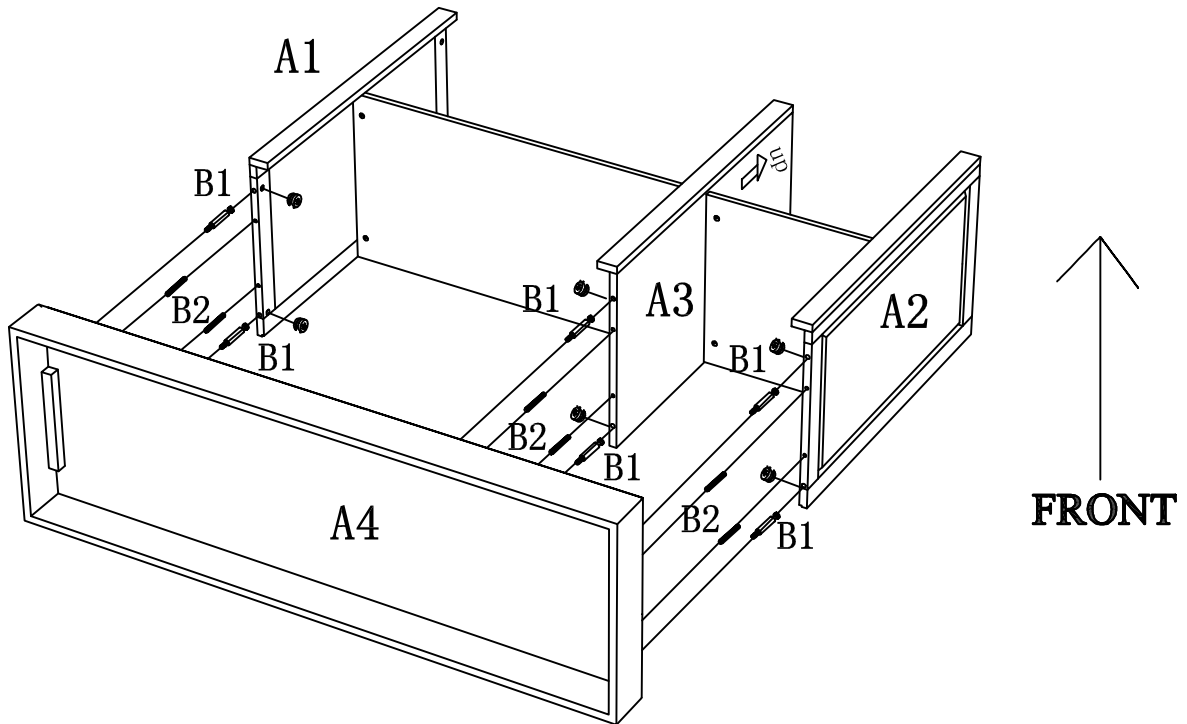
B1:			4SETS
B2:			4PCS



Assemble Side Panels A1 & A2 to Shelves A5 & A6 using Camlocks B1 and Wood Dowels B2 as shown above.


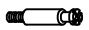

Step 4:

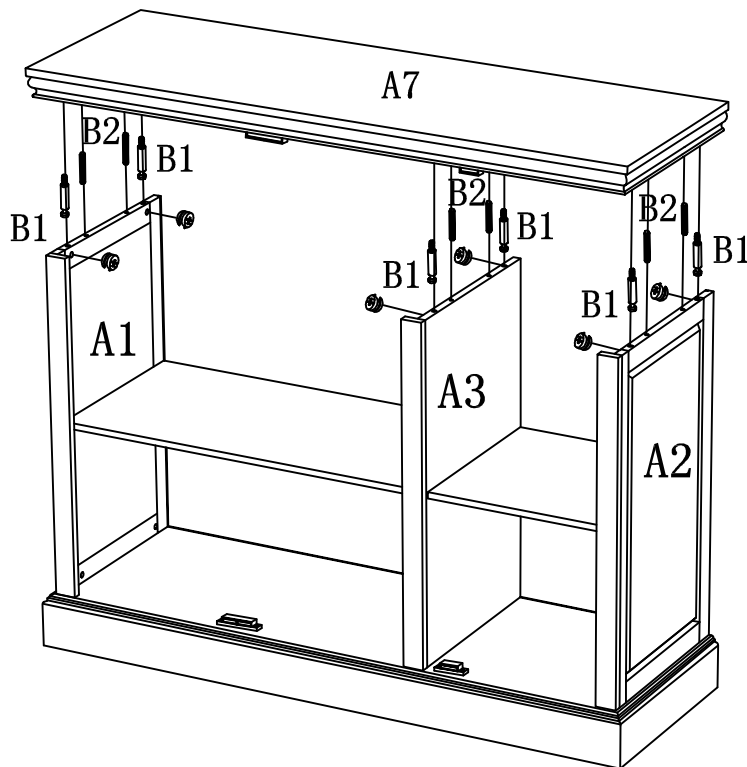
B1:			6SETS
B2:			6PCS



Assemble Side Panels A1 & A2 ,Divider A3 to Bottom Panel A4 using Camlocks B1 and Wood Dowels B2 as shown above.

Step 5:

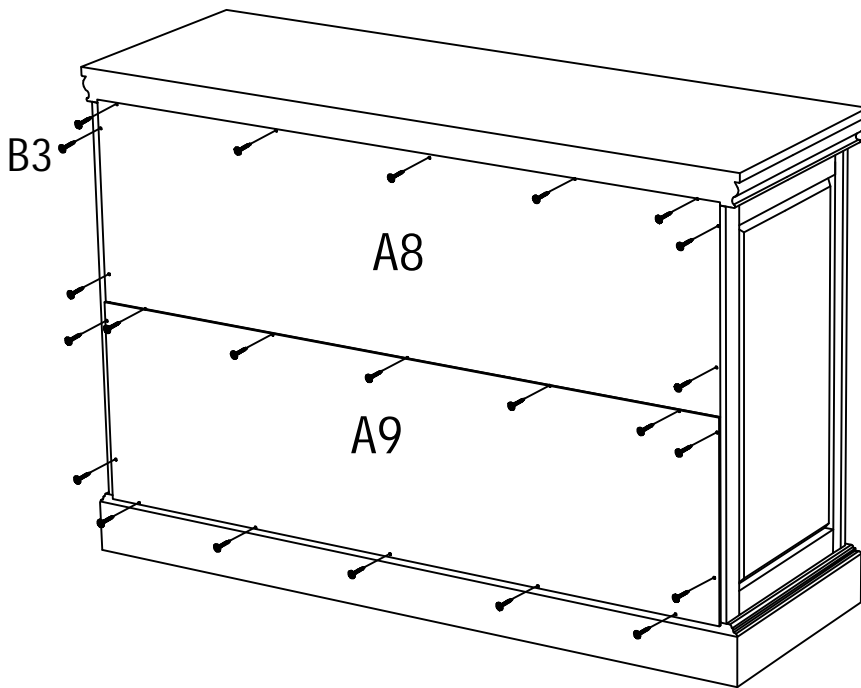
B1:			6SETS
B2:			6PCS



Assemble Side Panels A1 & A2 ,Divider A3 to Top Panel A7 using Camlocks B1 and Wood Dowels B2 as shown above.

## Step 6:

B3:  23PCS

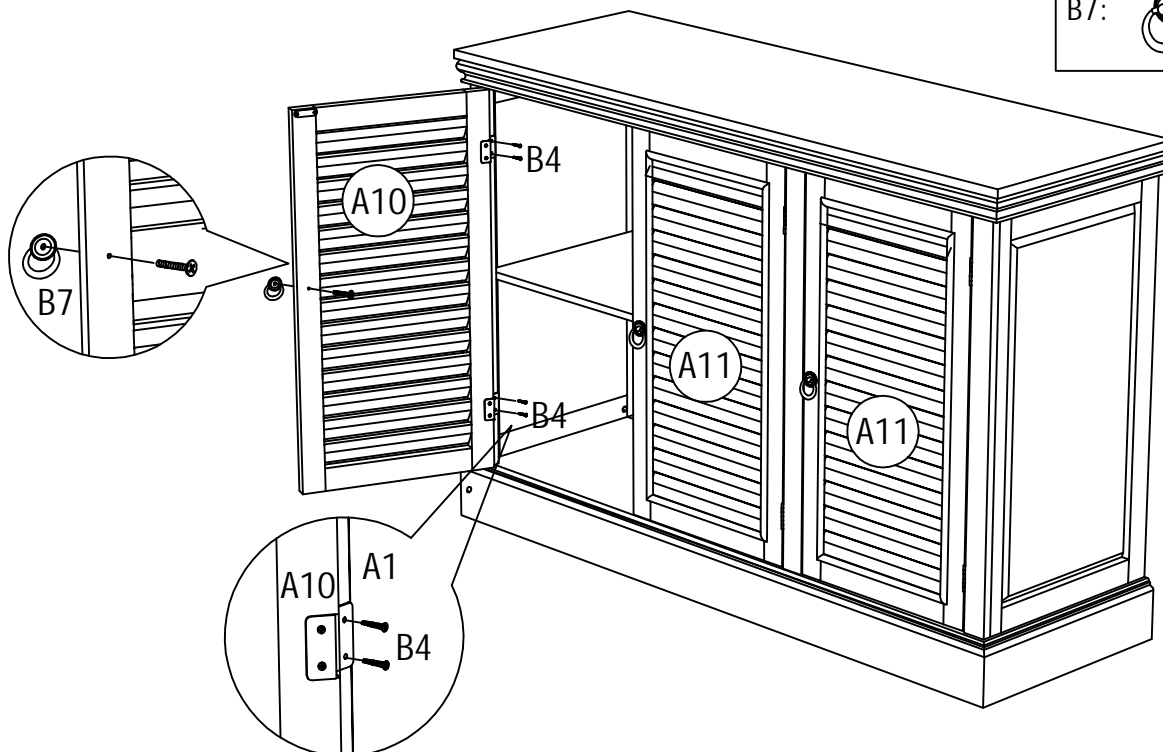


Attach Back Panels A8 & A9 to the bottom of the unit using Screws B3 as shown above.

## Step 7:

B4:  12SETS

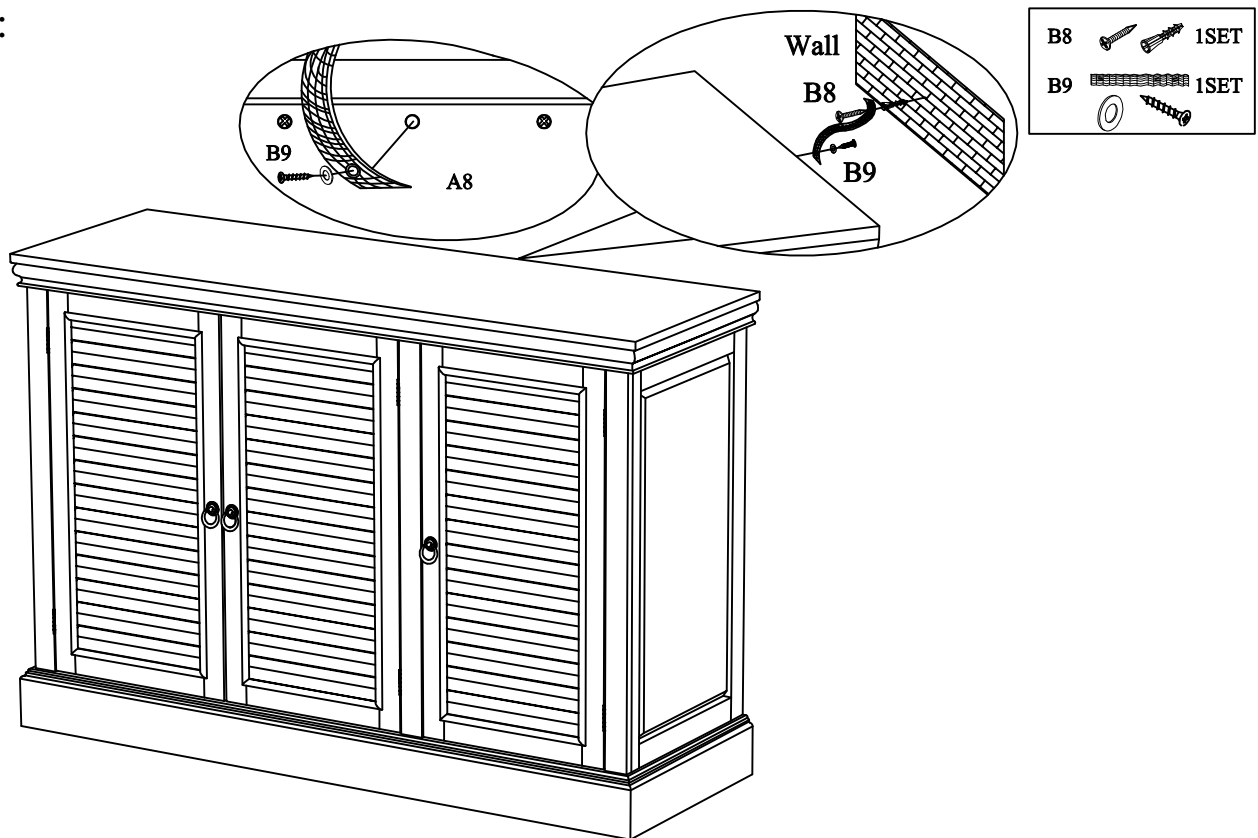
B7:  3PCS



Assemble Left Door A10 to Left Side Panel A1 using Screws B4, then attached Handle B7 to Left Door A10 using included bolt.

Repeat above step to assemble the other doors.

Step 8:



For your safety, please attached this table to the wall by Anchor with screw B8 and Anti-tip kit B9.

APPENDIX: Dimension of Hardwares in this AI.

<p>B1</p> <p>Cam-bolt</p>	<p>B1</p> <p>Cam-nut</p>	<p>B2</p> <p>Wood Dowel</p>
<p>B3 &amp; B5 &amp; B6</p> <p>Screw</p>	<p>B4</p> <p>Screw</p>	<p>B7</p> <p>Bolt for handle</p>
<p>B8</p> <p>Screw</p>	<p>B9</p> <p>Screw</p>	