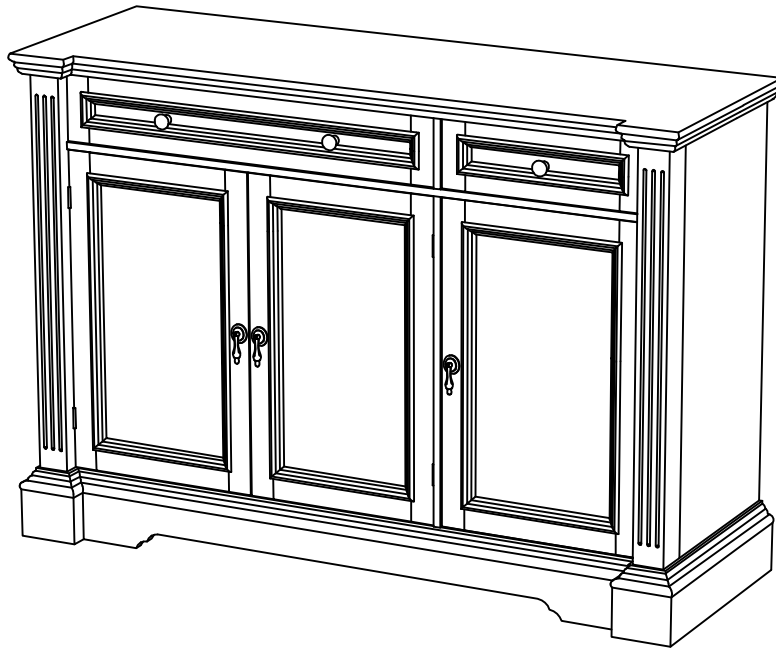


ASSEMBLY INSTRUCTIONS

Style # C1206 Console

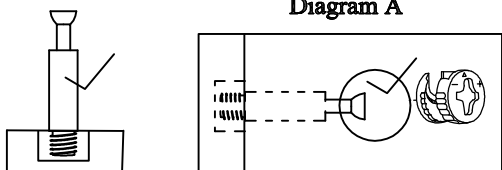


NOTE TO CUSTOMERS:

- For ease and speed of assembly we recommend that before you commence each step of the assembly that you identify all the parts required to complete that step.
- We recommend that where possible you allow sufficient space to assemble the item as close as possible to the place where it will be once assembled.
- For the protection of your furniture we recommend that the product is placed on protected surfaces during assembly to prevent any damage.
- During assembly do not over tighten, as this may damage the product.
- Please ensure you retain all the product packaging until the item completely assembled.
- Please periodically check all fittings and re-tighten as necessary.
- Please never allow any liquids to remain on your furniture as absorption can cause the wood to warp or finish to de-laminate.
- It is recommended that this item should be assembled by two adults.

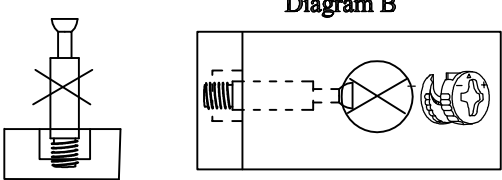
To insert a cam lock: (Please read below instructions before assembling)

Diagram A



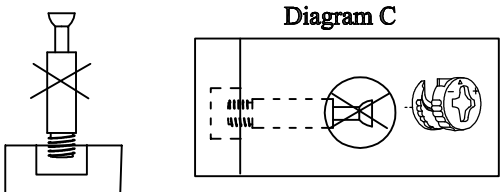
1. Insert cam screw into hole as shown in diagram A .

Diagram B

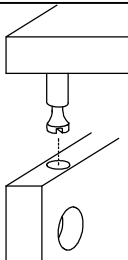


Make sure not to insert the cam screw:
Too deep as shown in figure B as this will cause the cam screw to be misaligned and unable to interlock properly.

Diagram C

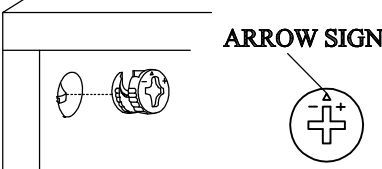


Also avoid inserting the cam screw too close to the surface of the hole as shown in figure C, as this will cause the cam lock to be too loose, and not interlock properly.



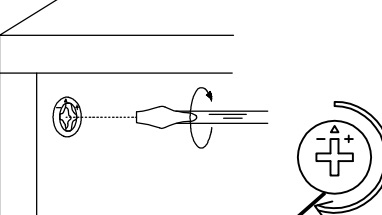
2. Connect the panels together.

Diagram 3



3. When inserting the cam lock make sure the arrow of the cam lock faces the cam screw.

Diagram 4



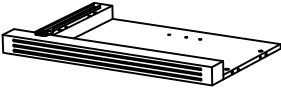


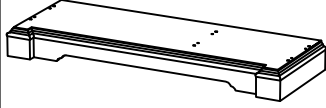

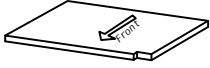

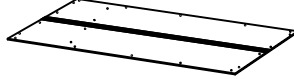
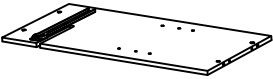
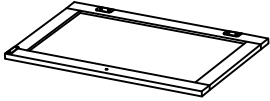
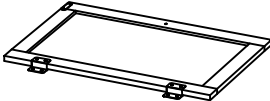








4. To tighten the cam lock turn the cam lock clockwise 90-180 degree or until the arrow is facing opposite the place cam lock was inserted.

NOTE: DO NOT USE AN AUTOMATIC SCREWDRIVER TO TIGHTEN CAM LOCKS.

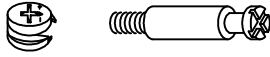




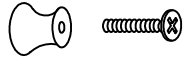

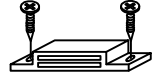
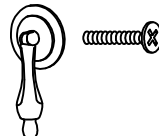


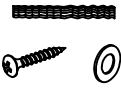
Note:

- Read these instructions carefully before assembling.
- Tools required : Phillips screwdriver, flat screwdriver.
- Find a clean, smooth area on which to work , such as a carpet, in order to avoid scratching the wood surfaces.
- Wait to dispose of the packing material until assembly is complete and all parts and hardware are accounted for.
- Two or more people might be required for assembly.

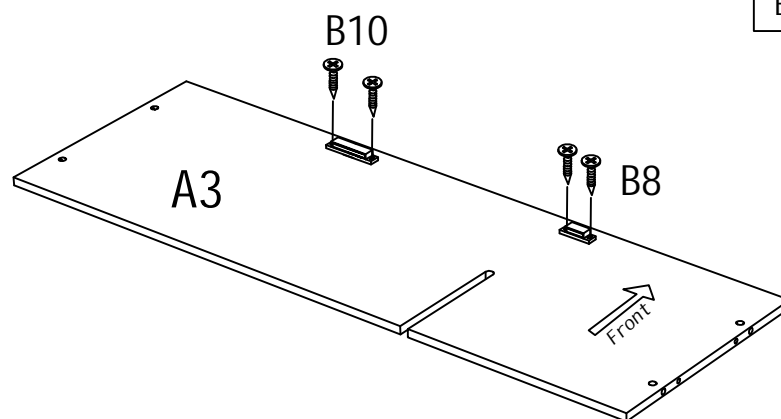
Part List

<p>A1. Quantity of 1</p>  <p>Left Side Panel</p>	<p>A2. Quantity of 1</p>  <p>Right Side Panel</p>	<p>A3. Quantity of 1</p>  <p>Divider</p>	<p>A4. Quantity of 1</p>  <p>Bottom Panel</p>
<p>A5. Quantity of 1</p>  <p>Left Shelf</p>	<p>A6. Quantity of 1</p>  <p>Right Panel</p>	<p>A7. Quantity of 1</p>  <p>Top Panel</p>	<p>A8. Quantity of 1</p>  <p>Back Panel</p>
<p>A9. Quantity of 1</p>  <p>Divider</p>	<p>A10. Quantity of 1</p>  <p>Left Door</p>	<p>A11. Quantity of 2</p>  <p>Right Door</p>	<p>A12. Quantity of 1</p>  <p>Large Drawer Front Panel</p>
<p>A13. Quantity of 2</p>  <p>Drawer Side Panel-L</p>	<p>A14. Quantity of 2</p>  <p>Drawer Side Panel- R</p>	<p>A15. Quantity of 1</p>  <p>Large Drawer Back Panel</p>	<p>A16. Quantity of 1</p>  <p>Large Drawer Bottom Panel</p>
<p>A17. Quantity of 1</p>  <p>Drawer Front Panel</p>	<p>A18. Quantity of 1</p>  <p>Drawer Back Panel</p>	<p>A19. Quantity of 1</p>  <p>Drawer Bottom Panel</p>	

Hardware List

<p>B1. Quantity of 16</p>  <p>Camlock</p>	<p>B2. Quantity of 16</p>  <p>Wood Dowel</p>	<p>B3. Quantity of 22</p>  <p>Screw</p>	<p>B4. Quantity of 16</p>  <p>Screw</p>
<p>B5. Quantity of 12</p>  <p>Screw</p>	<p>B6. Quantity of 3</p>  <p>Drawer Knob</p>	<p>B7. Quantity of 8</p>  <p>Shelf Support</p>	<p>B8. Quantity of 1</p>  <p>Magnet</p>
<p>B9. Quantity of 3</p>  <p>Door Handle</p>	<p>B10. Quantity of 1</p>  <p>Magnet</p>	<p>B11. Quantity of 1</p>  <p>Anchor and Screw</p>	<p>B12. Quantity of 1</p>  <p>Anti-tip Kit</p>

Step 1:

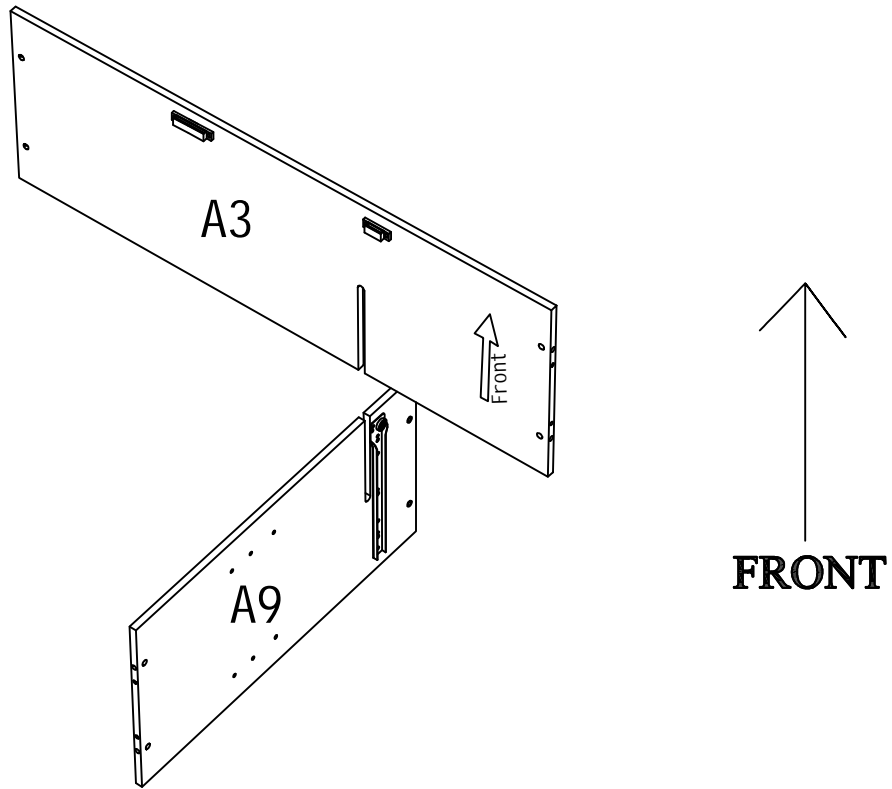


B8:  1SET

B10:  1SET

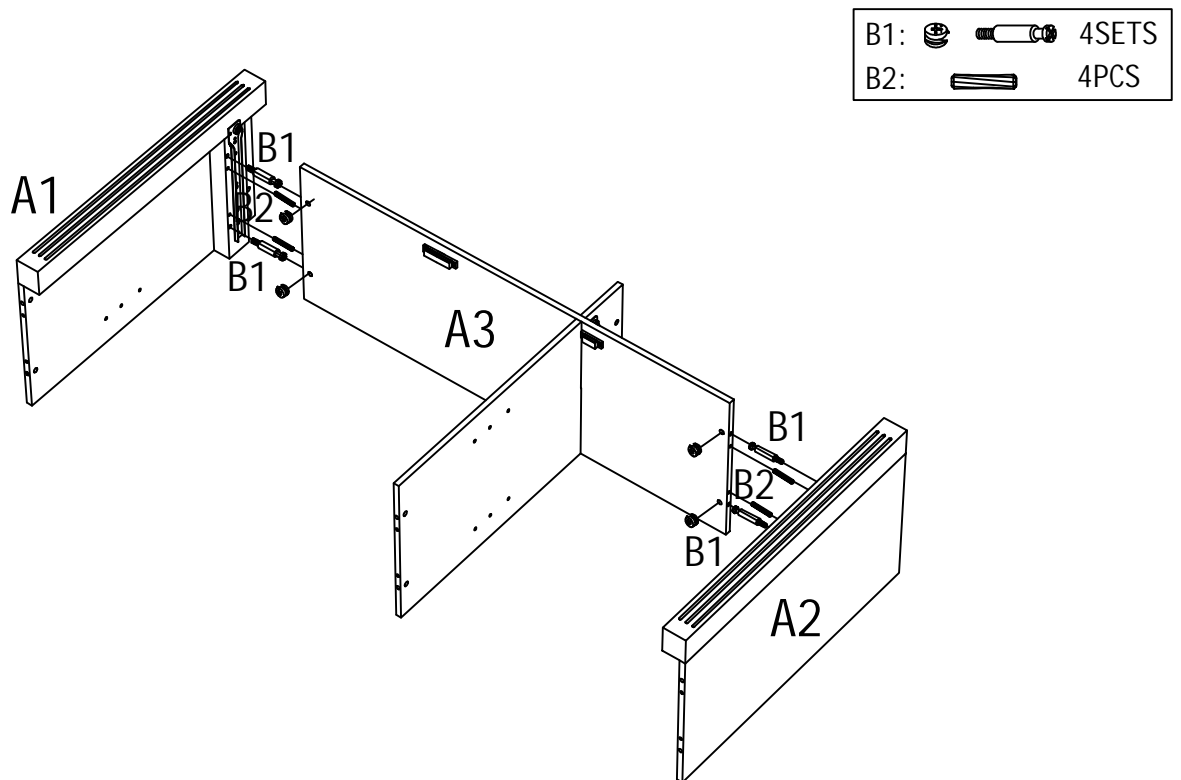
Assemble Magnets B8 & B10 to Divider A3 using included screws.
 Note: Holes are pre-drilled.

Step 2:



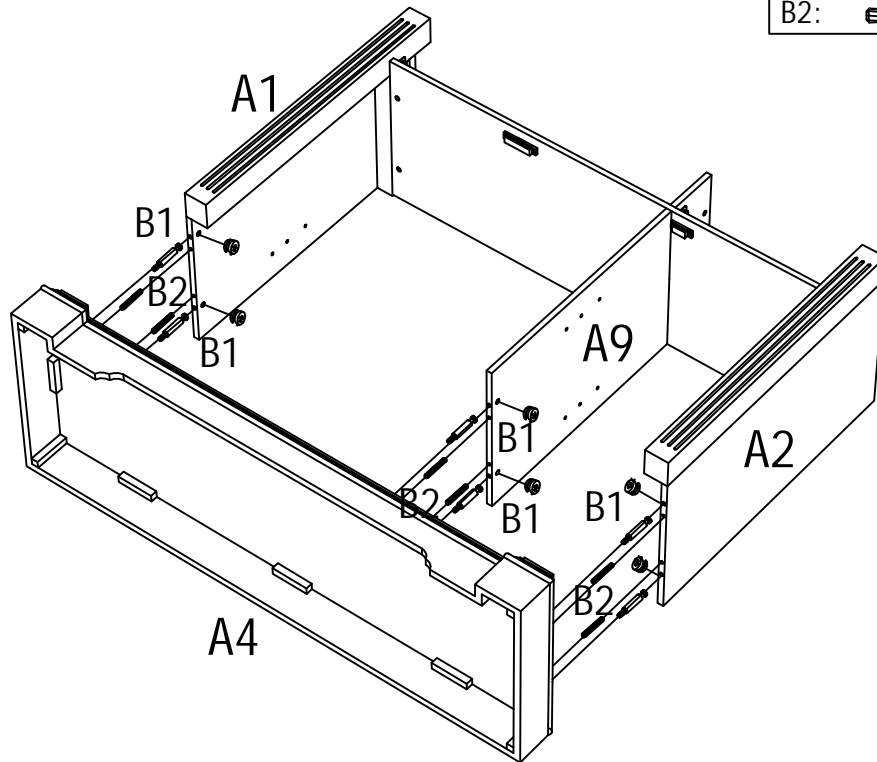
Cross Dividers A3 & A9 as shown above.

Step 3:



Assemble Side Panels A1 & A2 to Divider A3 using Camlocks B1 & Wood Dowels B2 as shown above.

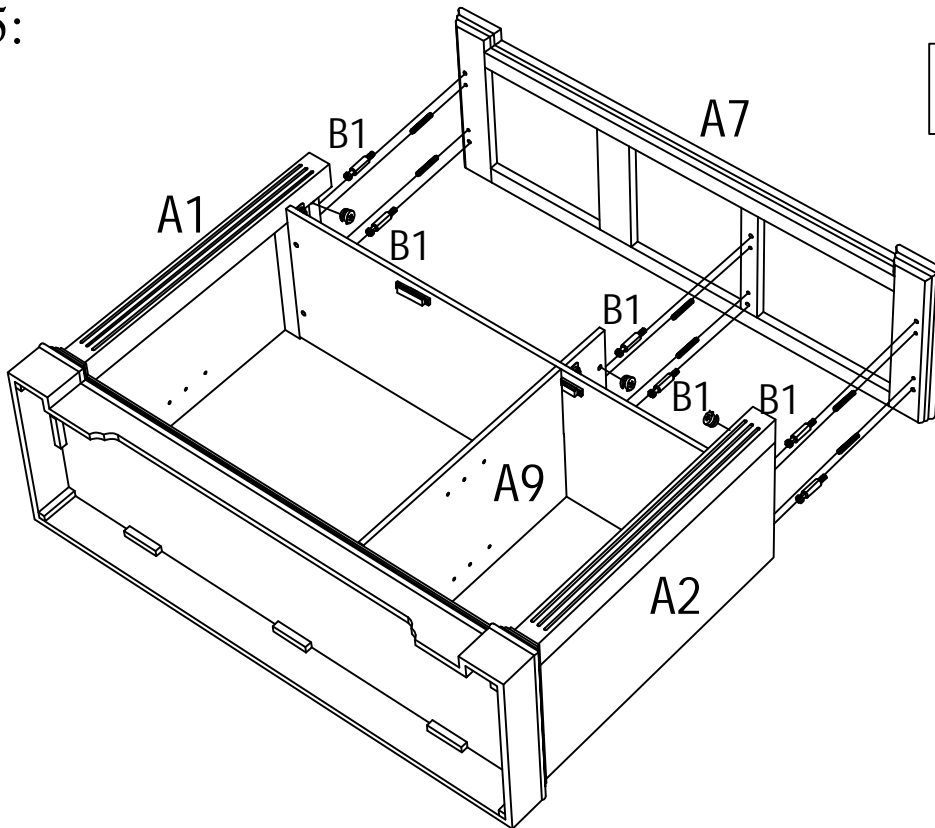
Step 4:



B1:		6SETS
B2:		6PCS

Assemble Side Panels A1 & A2 to Bottom Panel A4 using Camlocks B1 and Wood Dowel B2 as shown above.

Step 5:

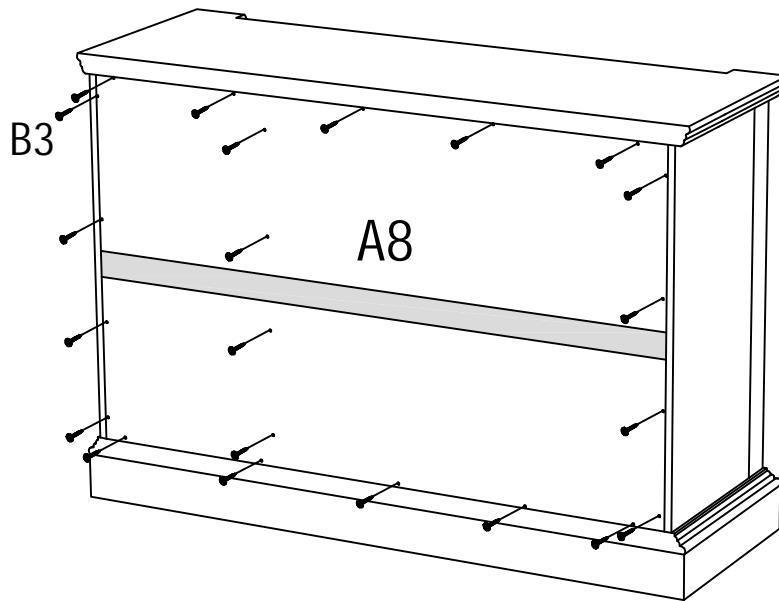


B1:		6SETS
B2:		6PCS

Assemble Side Panels A1 & A2 to Top Panel A7 using Camlocks B1 and Wood Dowel B2 as shown above.

Step 6:

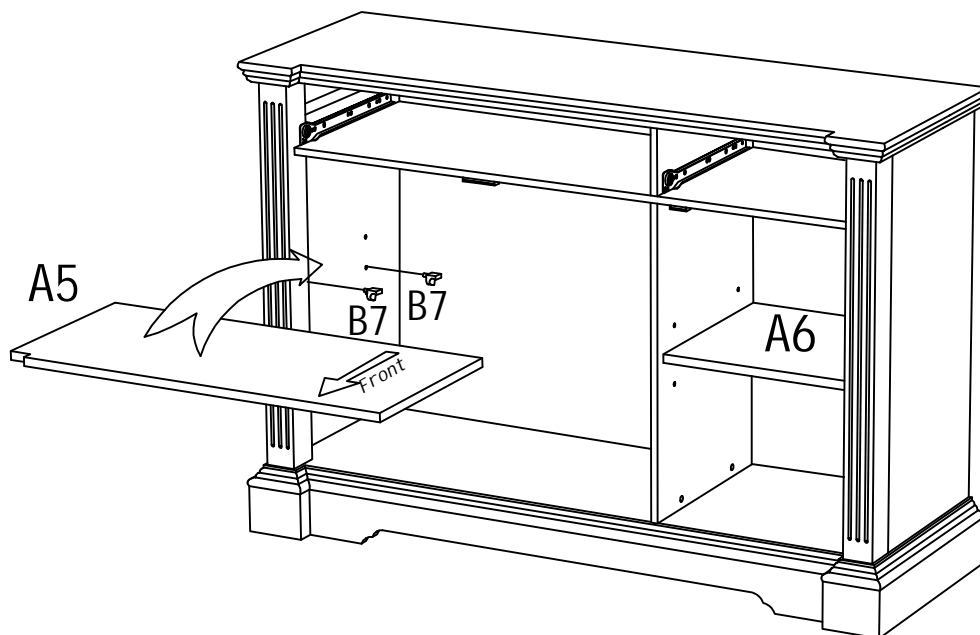
B3:  22PCS



Attach Back Panel A8 to the back of the unit using Screws B3 as shown above.

Step 7:

B7:  8PCS

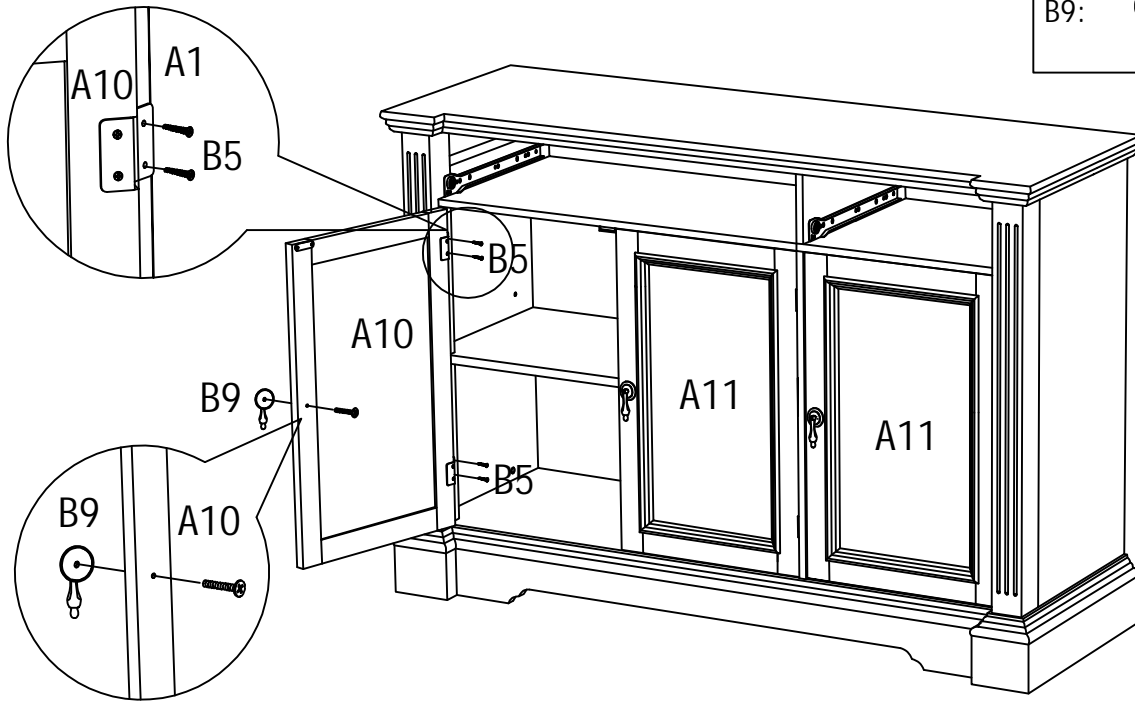


Insert Shelf Supports B7 into holes on Side Panels A1 & A2, Divider A9, then put Shelves A5 & A6 onto Shelf Supports B7 as shown above.

Step 8:

B5:  12SETS

B9:  3PCS



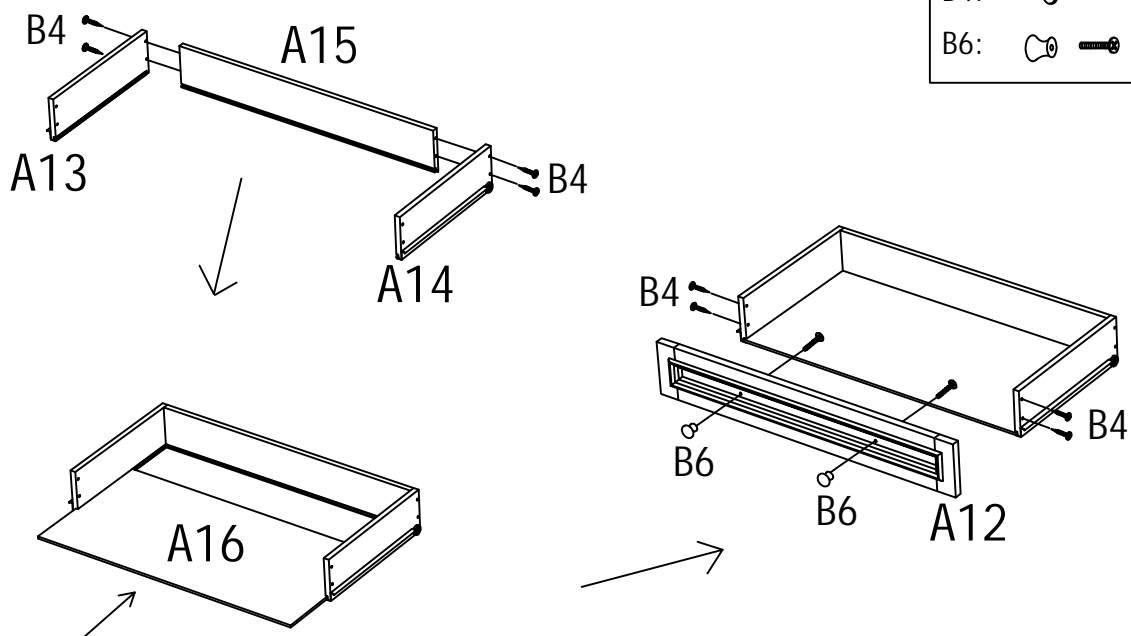
Assemble Left Door A10 to Side Panel A1 using Screws B5 as shown above. Then attach Handle B9 to Left Door A10 using included bolt.

Repeat above step to assemble the other doors.

Step 9:

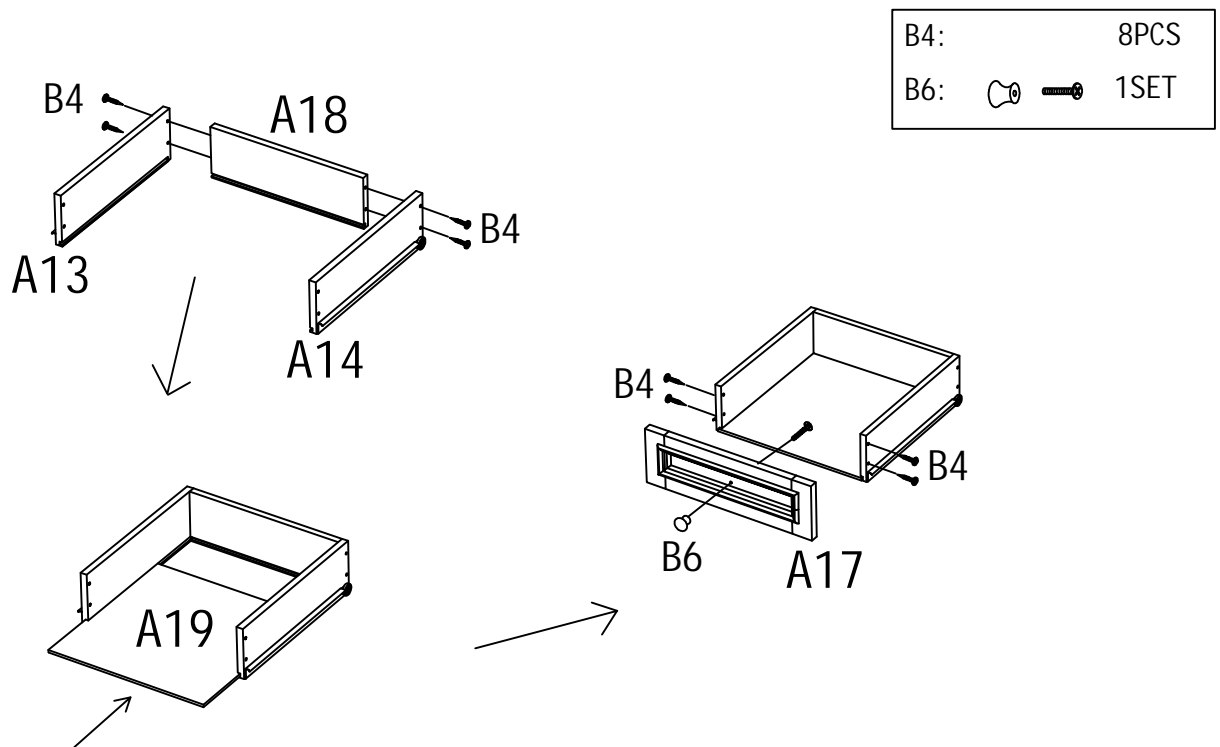
B4:  8PCS

B6:  2SETS

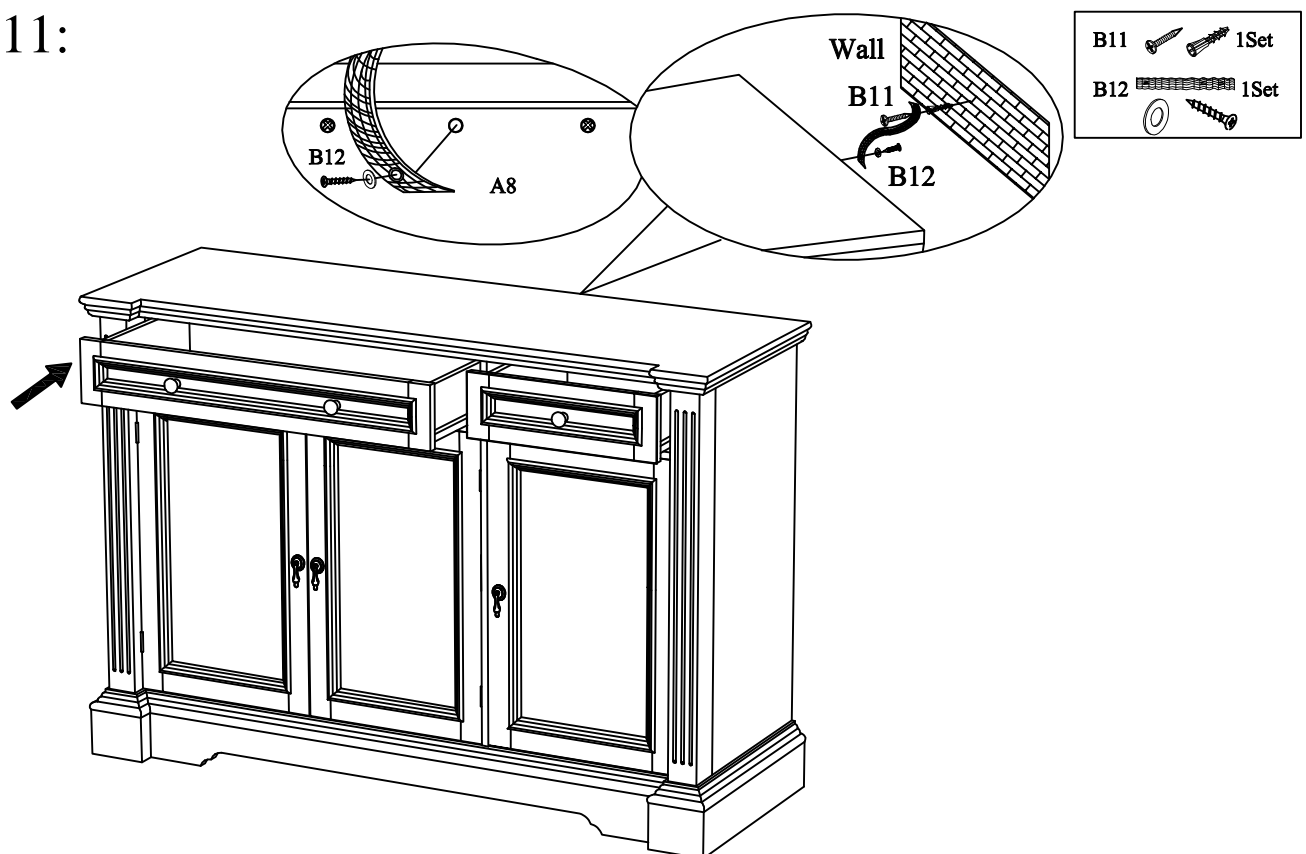


- 1). Assemble Drawer Side Panels A13 & A14 to Drawer Back Panel A15 using Screws B4.
- 2). Insert Drawer Bottom Panel A16 into the grooves on Drawer Side Panels A13 & A14 and Drawer Back Panel A15.
- 3). Assemble Drawer Front Panel A12 to Drawer Side Panels A13 & A14 using Screws B4.
- 4). Attach Drawer Knob B6 to Drawer Front Panel A12 using Included bolt.

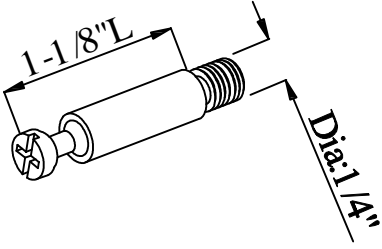
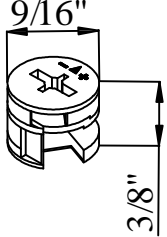
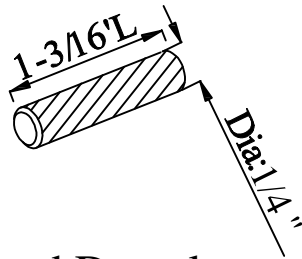
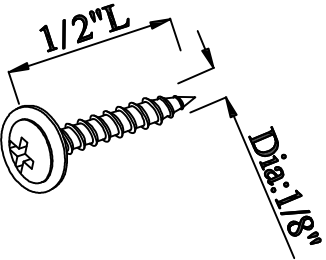
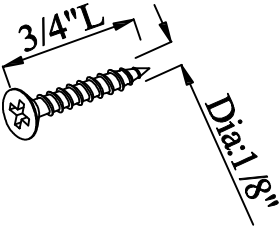
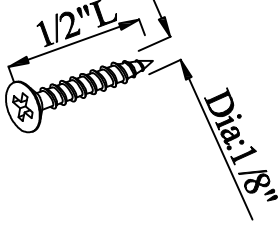
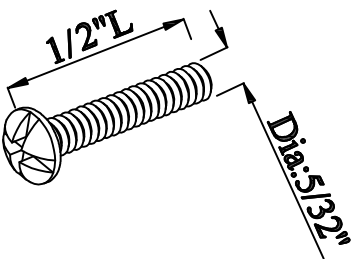
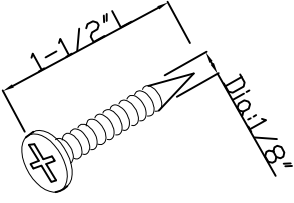
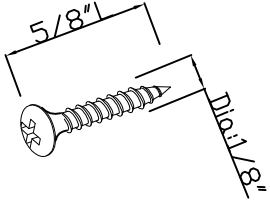
Step 10:



Step 11:



APPENDIX: Dimension of Hardwares in this AI.

<p>B1.</p>  <p>Cam-bolt</p>	<p>B1.</p>  <p>Cam-nut</p>	<p>B2.</p>  <p>Wood Dowel</p>
<p>B3&B8&B10.</p>  <p>Screw</p>	<p>B4.</p>  <p>Screw</p>	<p>B5.</p>  <p>Screw</p>
<p>B6&B9.</p>  <p>Bolt for handle</p>	<p>B11</p>  <p>Screw</p>	<p>B12</p>  <p>Screw</p>