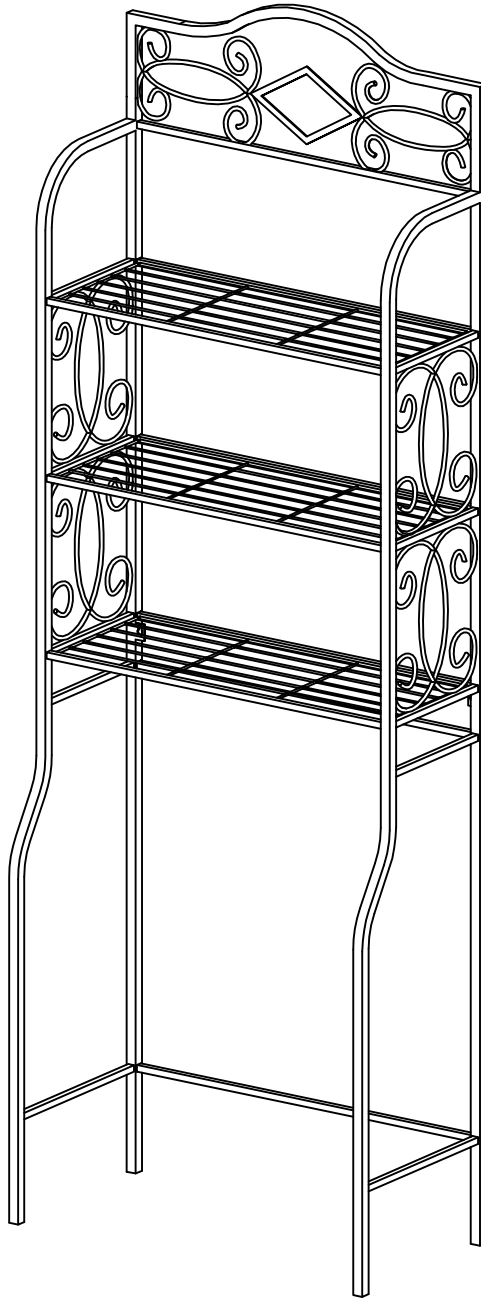


# ASSEMBLY INSTRUCTIONS








Style # BM1130 Bathroom Rack








## NOTE TO CUSTOMERS:

- For ease and speed of assembly we recommend that before you commence each step of the assembly that you identify all the parts required to complete that step.
- We recommend that where possible you allow sufficient space to assemble the item as close as possible to the place where it will be once assembled.
- For the protection of your furniture we recommend that the product is placed on protected surfaces during assembly to prevent any damage.
- During assembly do not over tighten, as this may damage the product.
- Please ensure you retain all the product packaging until the item completely assembled.
- Please periodically check all fittings and re-tighten as necessary.
- It is recommended that this item should be assembled by two adults.

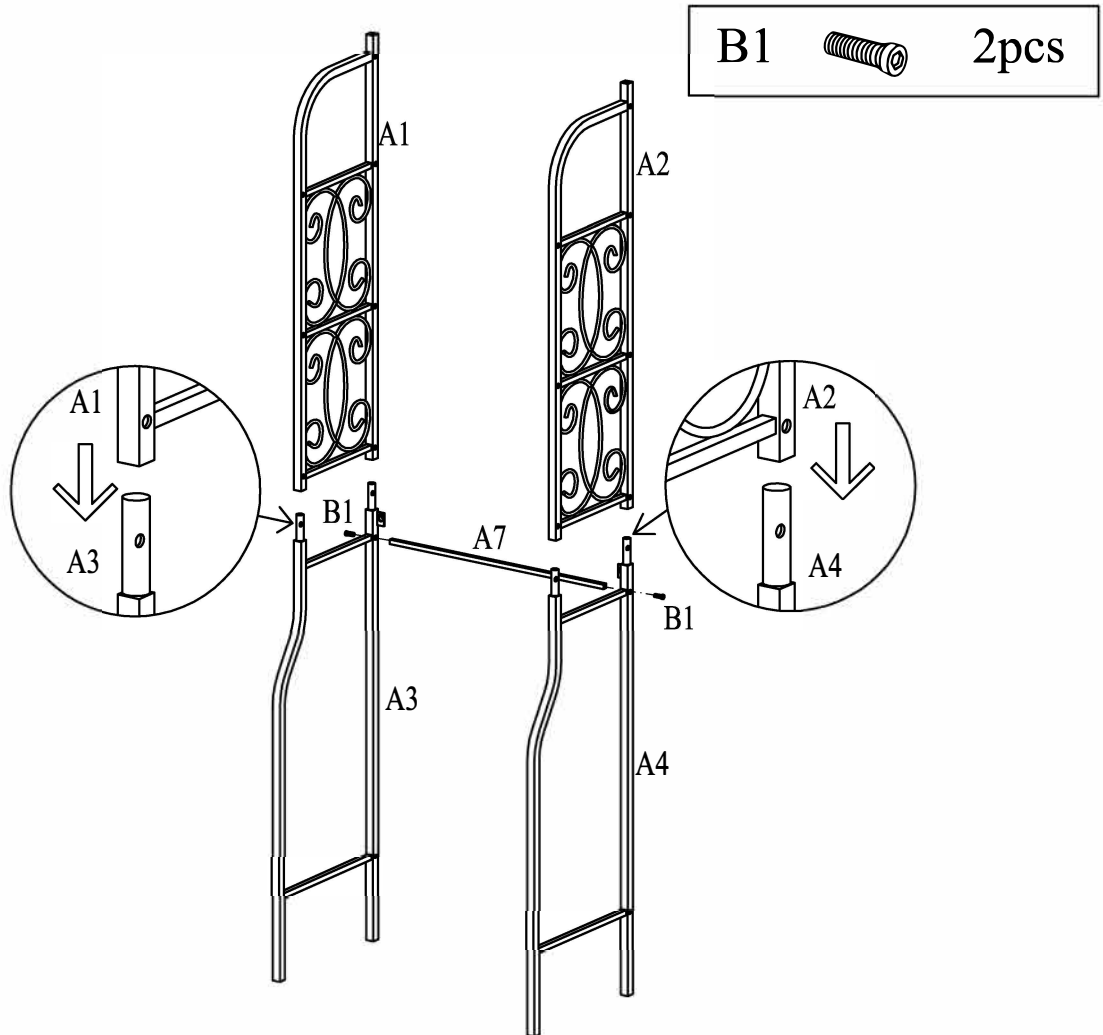
# Part List

|  |  |  |  |   |  |  |
|--|--|--|--|---|--|--|
| A1<br>Quantity of 1<br> | A2<br>Quantity of 1<br> | A3<br>Quantity of 1<br> | A4<br>Quantity of 1<br> | A5<br>Quantity of 1<br> | A6<br>Quantity of 3<br> | A7<br>Quantity of 3<br> |
| Left Side Frame  | Right Side Frame   | Left Leg   | Right Leg  | Back Frame  | Net Rack   | Connect Bar  |

# Hardware List

|   |  |  |   |   |
|---|--|--|---|---|
| B1<br>Quantity of 18<br> | B2<br>Quantity of 2<br> | B3<br>Quantity of 2<br> | B4<br>Quantity of 1<br> | (NOT INCLUDED)<br> |
| Bolt  | Screw  | Anchor   | Allen Wrench  |   |

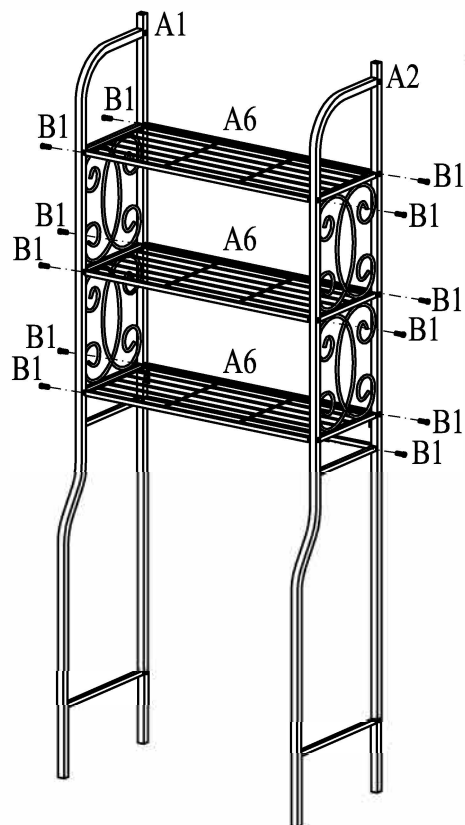
## STEP 1



- 1 ). Assemble Legs A3&A4 to Connect Bar A 7 using Bolts B
1. 2). Insert Side Frames A1&A2 into Legs A3&A4 as shown above. Please do not tighten Bolts B1 until step 5.

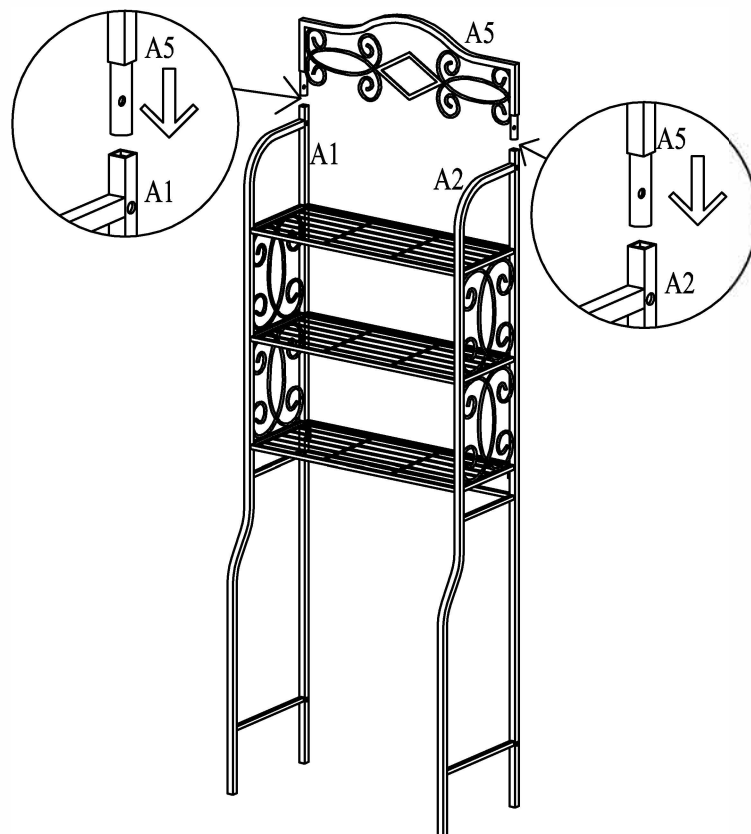
## STEP 2

B1  12pcs



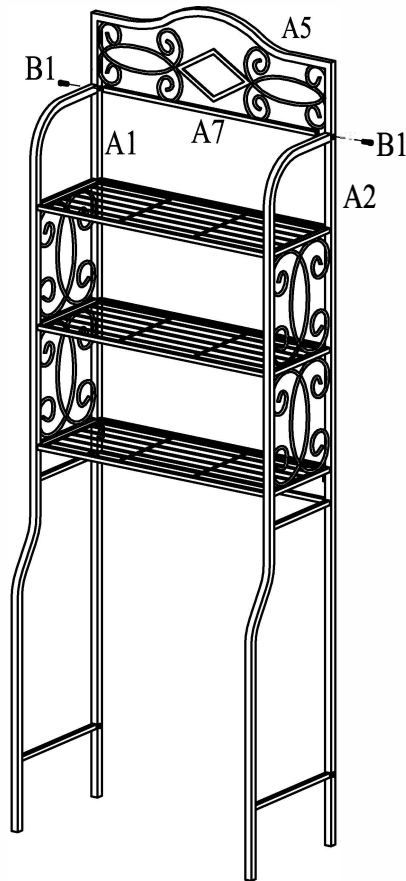
Attach Racks A6 to Side Frames A1&A2 using Bolts B1.  
Please do not tighten Bolts B1 until step 5.


## STEP 3



Insert Back Frame A5 into Side Frames A1&A2 as shown above.

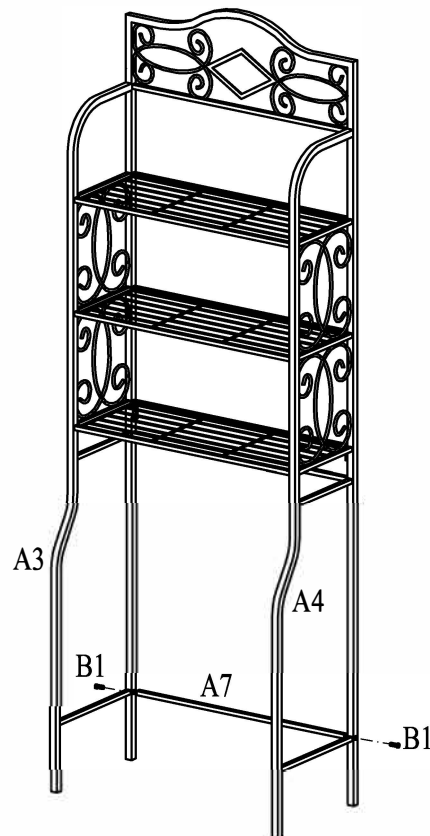
## STEP 4



B1  2pcs

Attach Connect Bar A7 to Side Frames A1&A2 and Back Frame A5 using Bolts B1.  
Please do not tighten Bolts B1 until step 5.

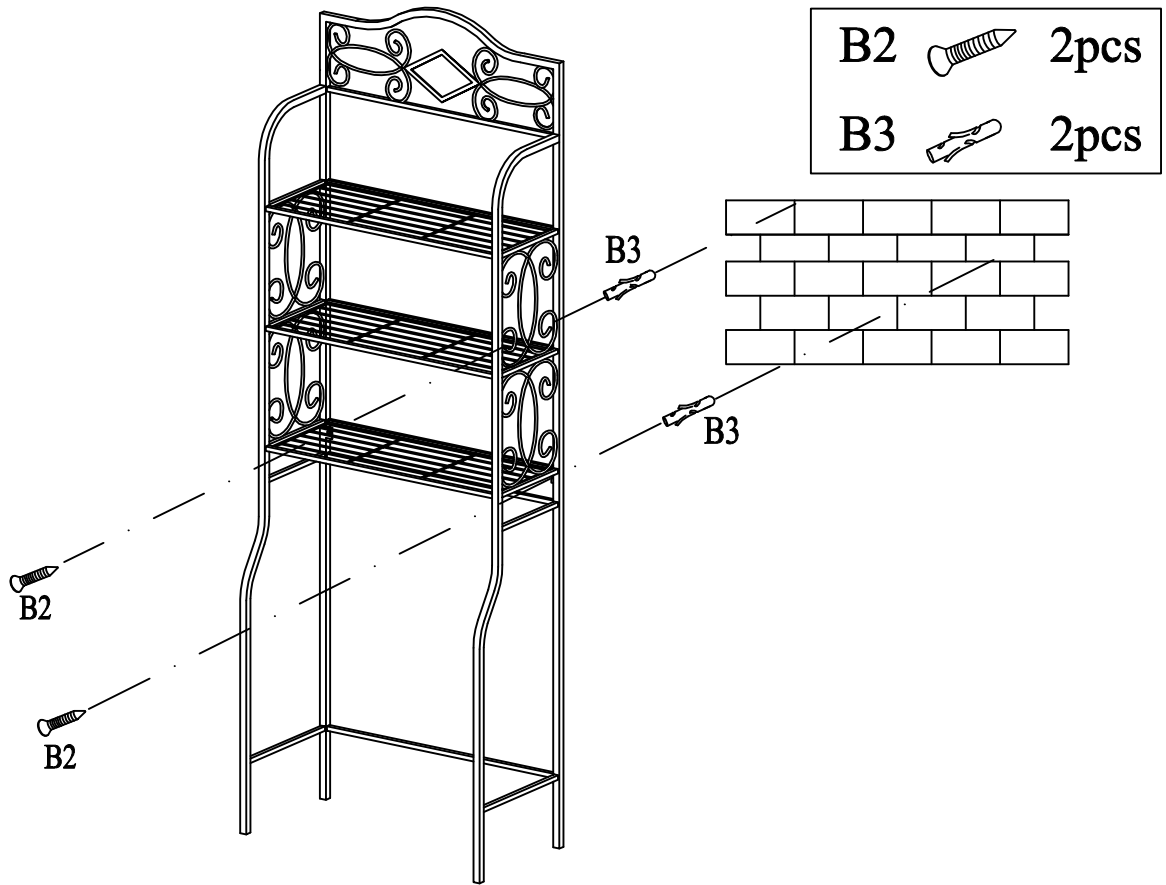
## STEP 5



B1  2pcs

Attach Connect Bar A7 to Legs A3&A4 using Bolts B1.  
Please tighten all bolts at this point.

# STEP 6



For your safety, please attach this unit to the wall with provided Anchors B3 and Screws B2.

## APPENDIX: Dimension of Hardwares in this AI.

|                        |                         |
|------------------------|-------------------------|
| <p>B1.</p> <p>Bolt</p> | <p>B2.</p> <p>Screw</p> |
|------------------------|-------------------------|