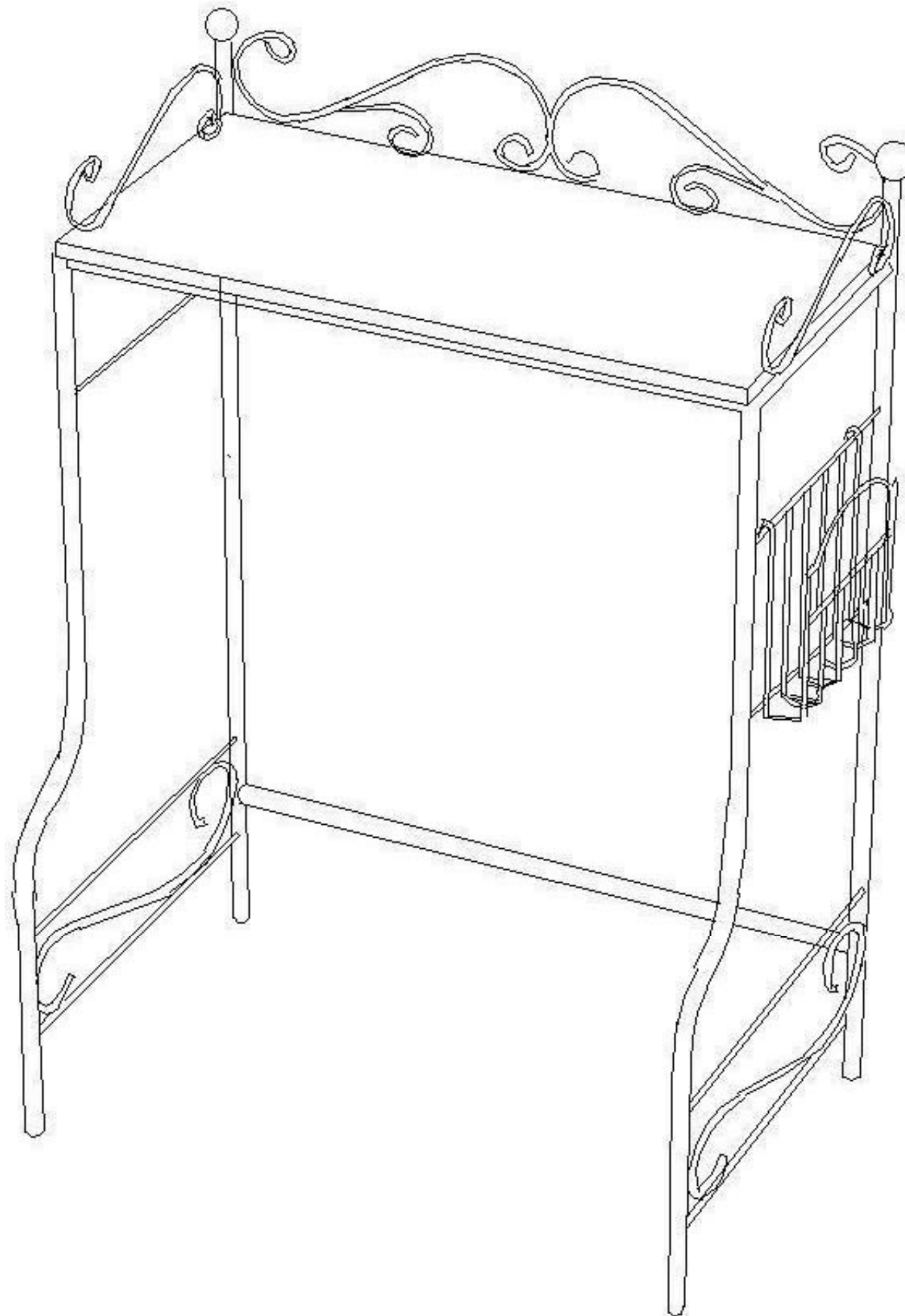


ASSEMBLY INSTRUCTIONS

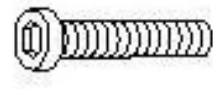
Style # BM1126-B/W Bathroom Rack



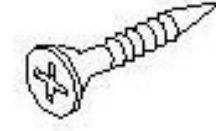
NOTE TO CUSTOMERS:

- For ease and speed of assembly we recommend that before you commence each step of the assembly that you identify all the parts required to complete that step.
- We recommend that where possible you allow sufficient space to assemble the item as close as possible to the place where it will be once assembled.
- For the protection of your furniture we recommend that the product is placed on protected surfaces during assembly to prevent any damage.
- During assembly do not over tighten, as this may damage the product.
- Please ensure you retain all the product packaging until the item completely assembled.
- Please periodically check all fittings and re-tighten as necessary.
- It is recommended that this item should be assembled by two adults.

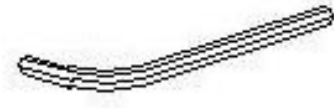
Hardware List:



a. Bolt 6pcs

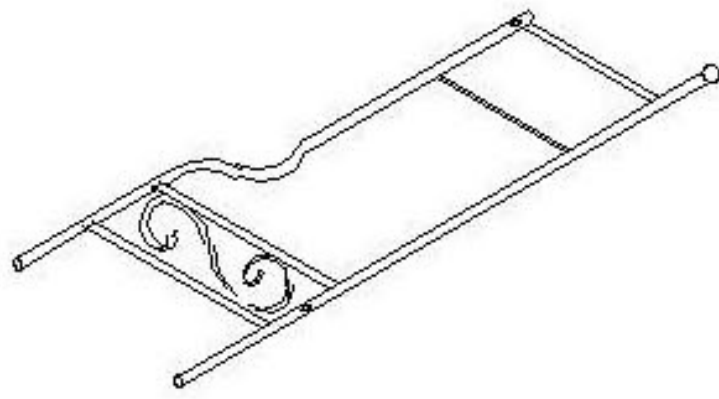


b. Screw 4pcs



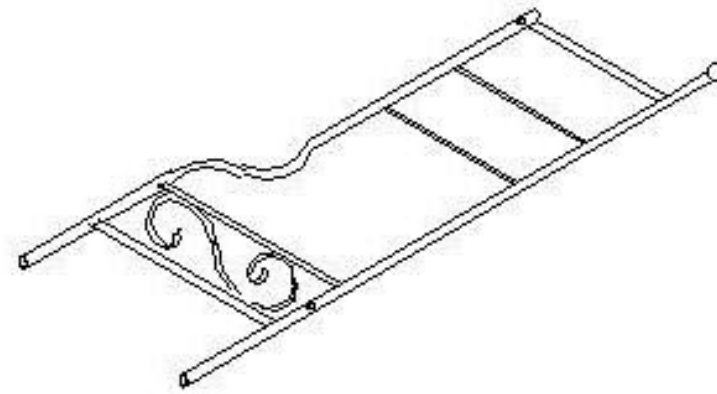
c. Allen Wrench 1pc

Part List:



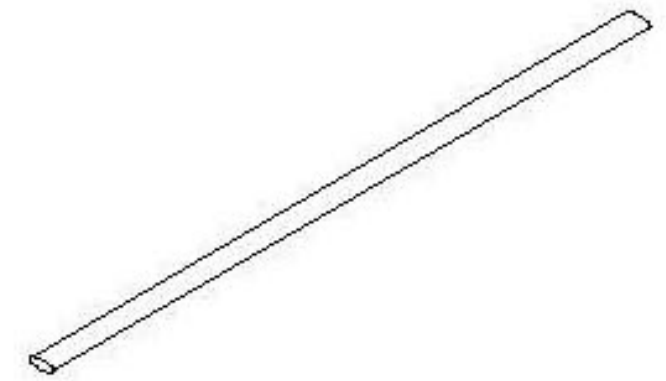
A. Left Frame

1PC



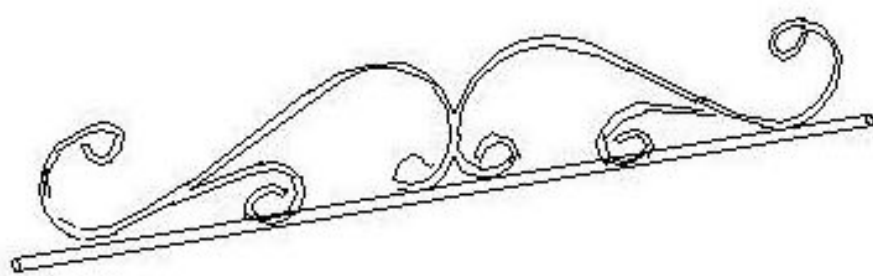
B. Right Frame

1PC



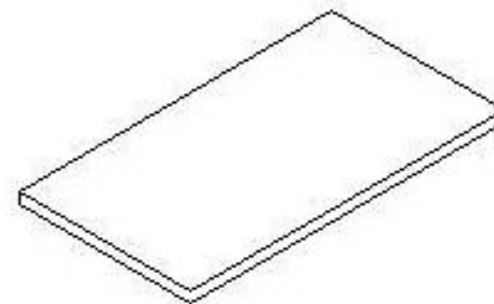
C. Cross Bar

2PCS



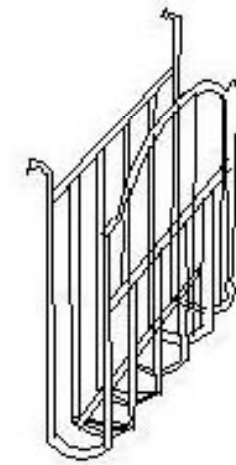
D. Top Frame

1PC



E. Top Panel

1PC

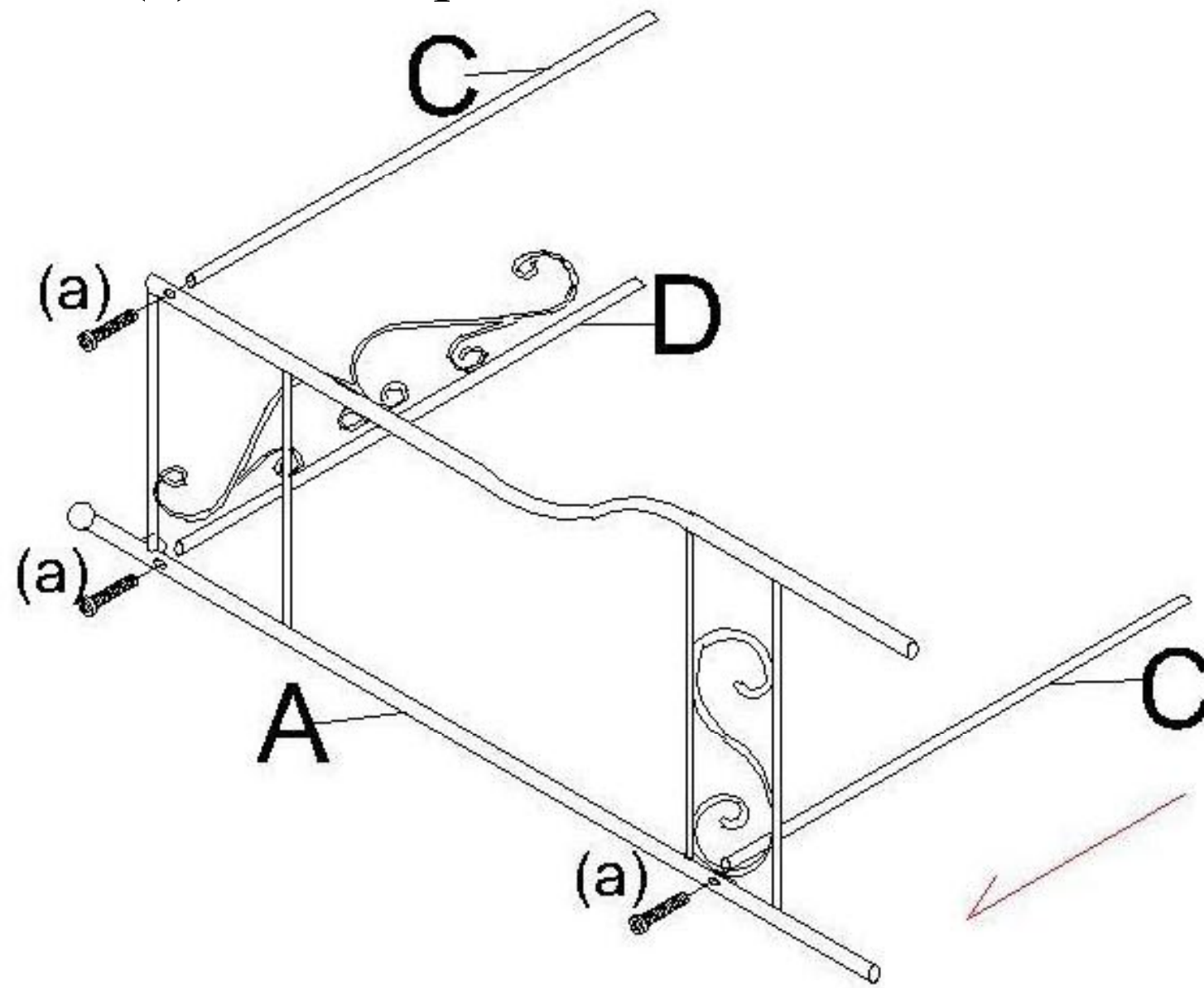


F. Basket

1PC

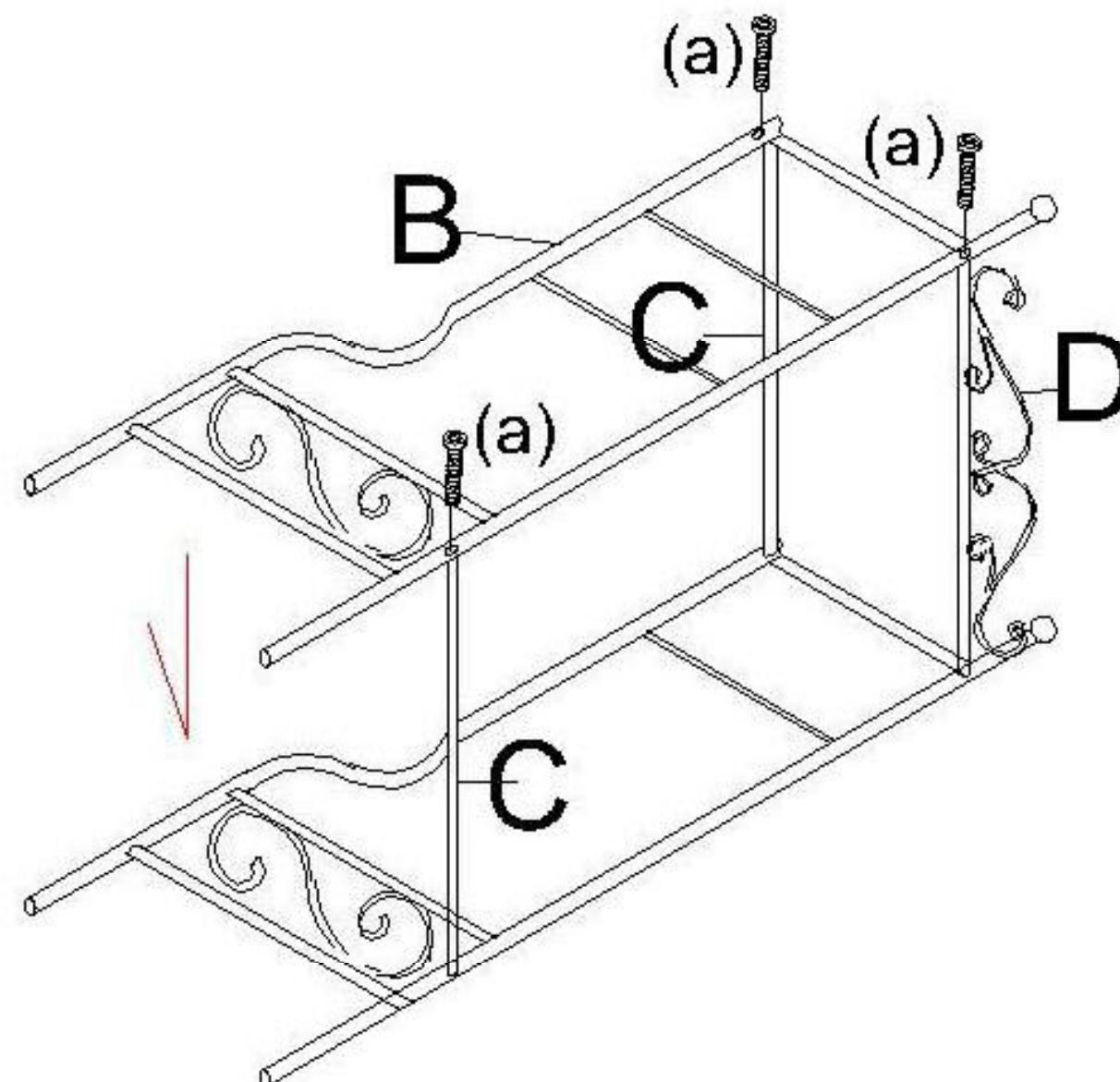
Step 1:

Assemble Cross Bars (C) and Top Frame (D) to Left Frame (A) using Bolts (a).
Do not tighten Bolts (a) until Step 2.



Step 2:

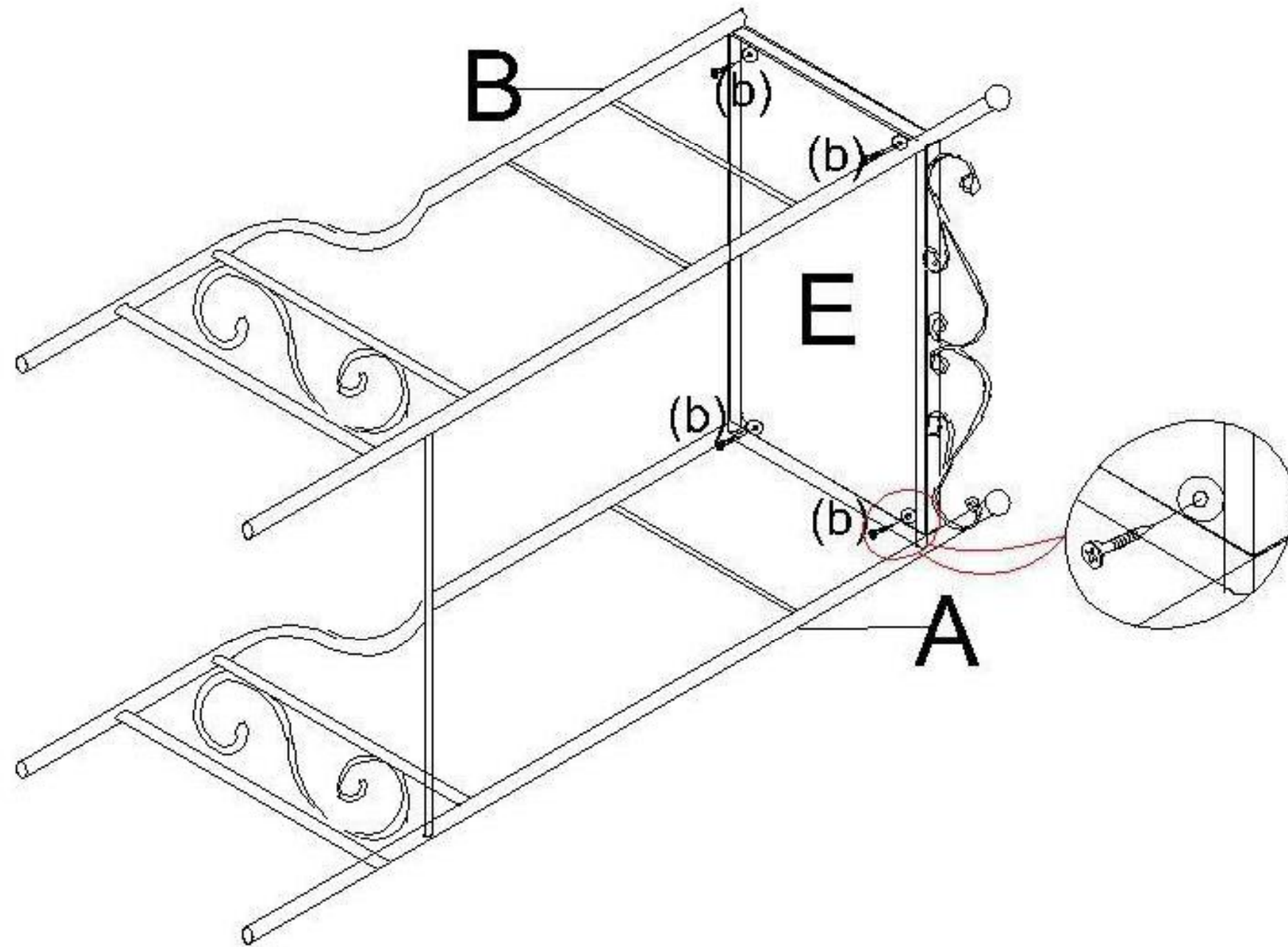
Repeat Step 1 to assemble Cross Bars (C) and Top Frame (D) to Right Frame (B).
Tighten Bolts (a) at this Point.



NOTE: Place this unit on the floor to check if it is stable before tightening Bolts (a).

Step 3:

Assemble Top Panel (E) to Left Frame (A) and Right Frame (B) using Screws (b).



Step 4:

Hang Basket (F) on Right Frame (B).

