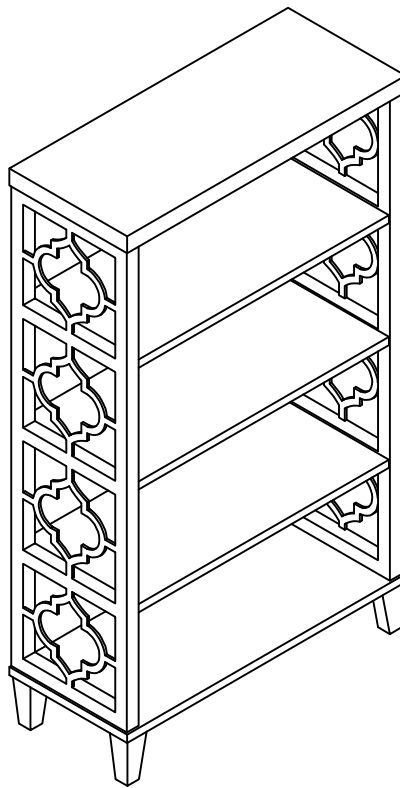


ASSEMBLY INSTRUCTIONS

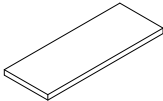
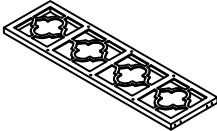
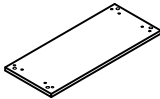
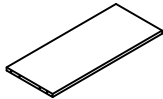

Style #BK20 5 Tier Bookcase



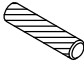


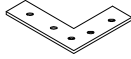

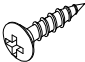

NOTE TO CUSTOMERS:

- For ease and speed of assembly we recommend that before you commence each step of the assembly that you identify all the parts required to complete that step.
- We recommend that where possible you allow sufficient space to assemble the item as close as possible to the place where it will be once assembled.
- For the protection of your furniture we recommend that the product is placed on protected surfaces during assembly to prevent any damage.
- During assembly do not over tighten, as this may damage the product.
- Please ensure you retain all the product packaging until the item completely assembled.
- Please periodically check all fittings and re-tighten as necessary.
- Never allow any liquids to remain on your furniture as absorption can cause the wood to warp or the finish to de-laminate.
- It is recommended that this item should be assembled by two adults.

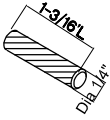
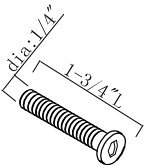
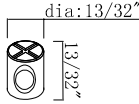
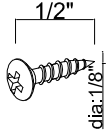
Part List

| | | | |
|---|--|---|---|
| <p>A1</p> <p style="text-align: center;">Quantity of 1</p>  <p>Top Panel</p> | <p>A2 (L&R)</p> <p style="text-align: center;">Quantity of 2</p>  <p>Side Panel</p> | <p>A3</p> <p style="text-align: center;">Quantity of 1</p>  <p>Bottom Panel</p> | <p>A4</p> <p style="text-align: center;">Quantity of 3</p>  <p>Shelf</p> |
| <p>A5</p> <p style="text-align: center;">Quantity of 4</p>  <p>Leg</p> | | | |





Hardware List

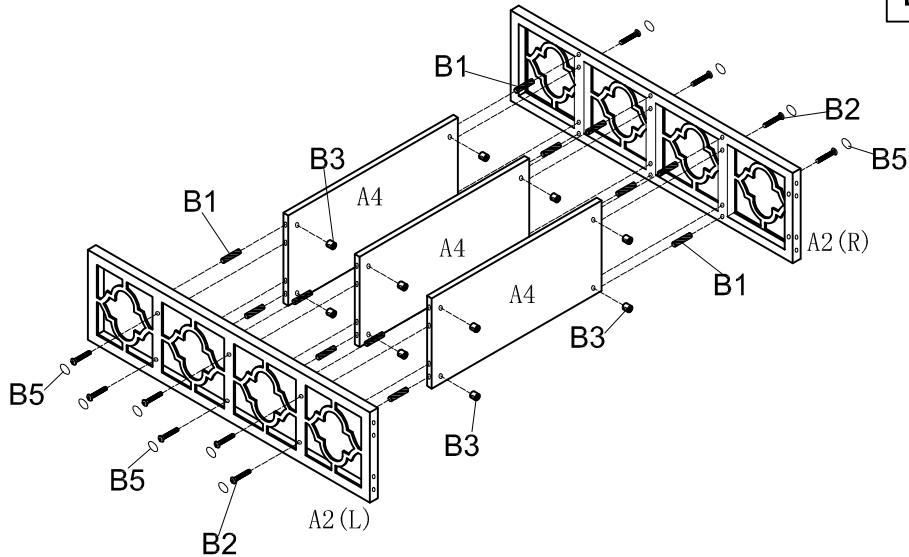
| | | | |
|--|--|--|---|
| <p>B1</p> <p style="text-align: center;">Quantity of 24</p>  <p>Wood Dowel</p> | <p>B2</p> <p style="text-align: center;">Quantity of 24</p>  <p>Bolt</p> | <p>B3</p> <p style="text-align: center;">Quantity of 16</p>  <p>Nut</p> | <p>B4</p> <p style="text-align: center;">Quantity of 4</p>  <p>Metal Connector</p> |
| <p>B5</p> <p style="text-align: center;">Quantity of 12</p>  <p>Plastic Cap</p> | <p>B6</p> <p style="text-align: center;">Quantity of 20</p>  <p>Screw</p> | <p>B7</p> <p style="text-align: center;">Quantity of 1</p>  <p>Allen Key</p> | |

APPENDIX: Dimension of Hardwares in this AI.

| | | | |
|---|---|---|--|
| <p>B1</p>  <p>Wood Dowel</p> | <p>B2</p>  <p>bolt</p> | <p>B3</p>  <p>Nut</p> | <p>B4</p>  <p>Screw</p> |
|---|---|---|--|



Step :1

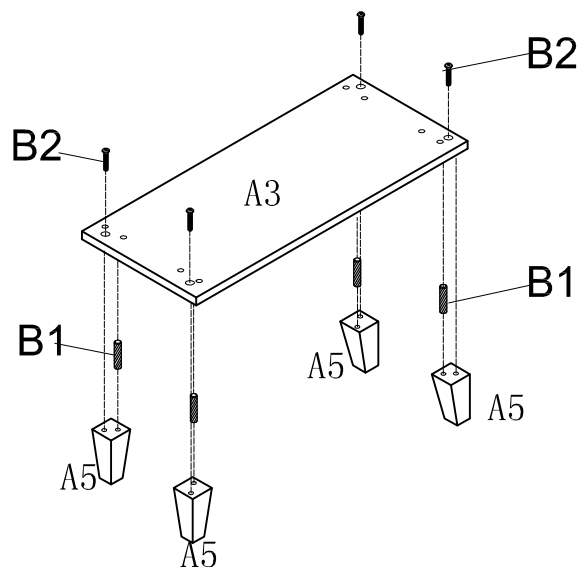
| | | |
|----|---|-------|
| B1 |  | 12pcs |
| B2 |  | 12pcs |
| B3 |  | 12pcs |
| B5 |  | 12pcs |



- 1). Assemble Shelves (A4) to Side Panels A2(L&R) using Wood Dowels (B1) , Bolts (B2) and Nuts (B3).
- 2). Cover the hole of bolts with Plastic Caps (B5) .

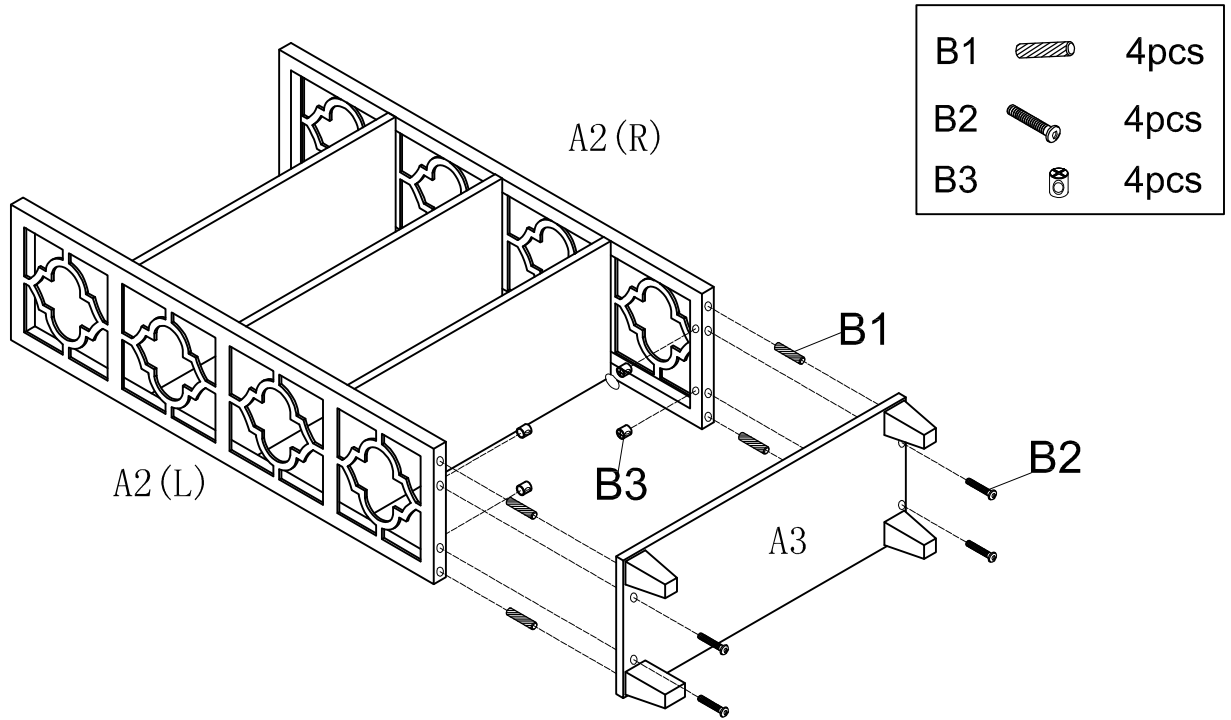
Step :2

| | | |
|----|---|------|
| B1 |  | 4pcs |
| B2 |  | 4pcs |



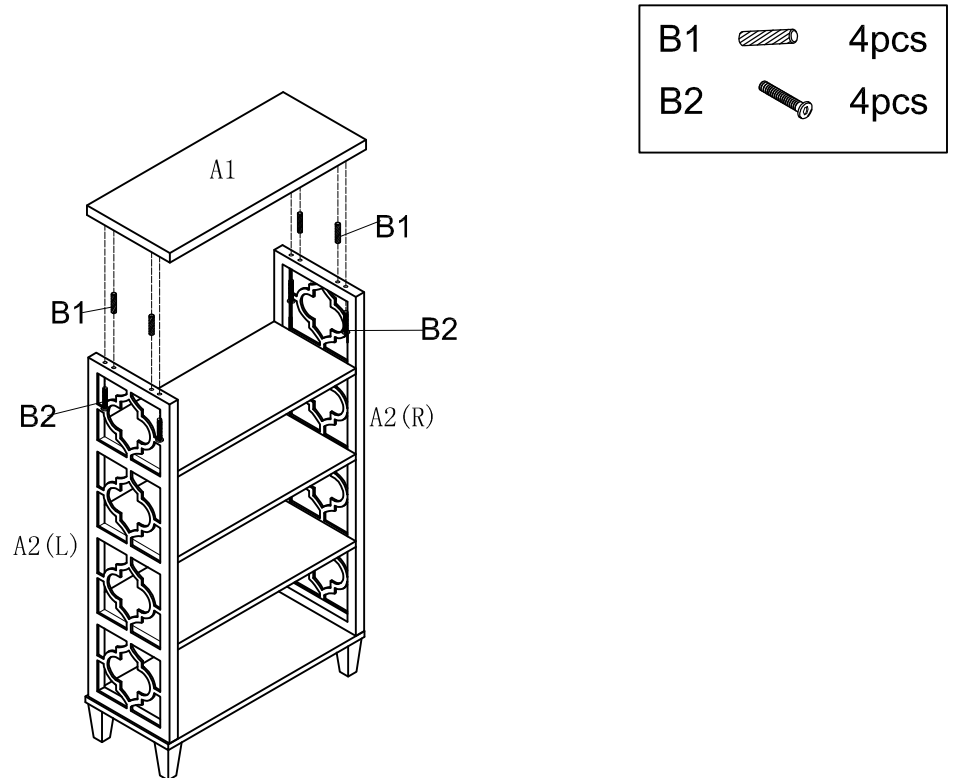
Assemble Legs (A5) to the bottom of Bottom Panel (A3) using Wood Dowels (B1) and Bolts (B2).

Step :3





Assemble Side Panels A2(L&R) to Bottom Panel A3 using Wood Dowels (B1) , Bolts (B2) and Nuts (B3).

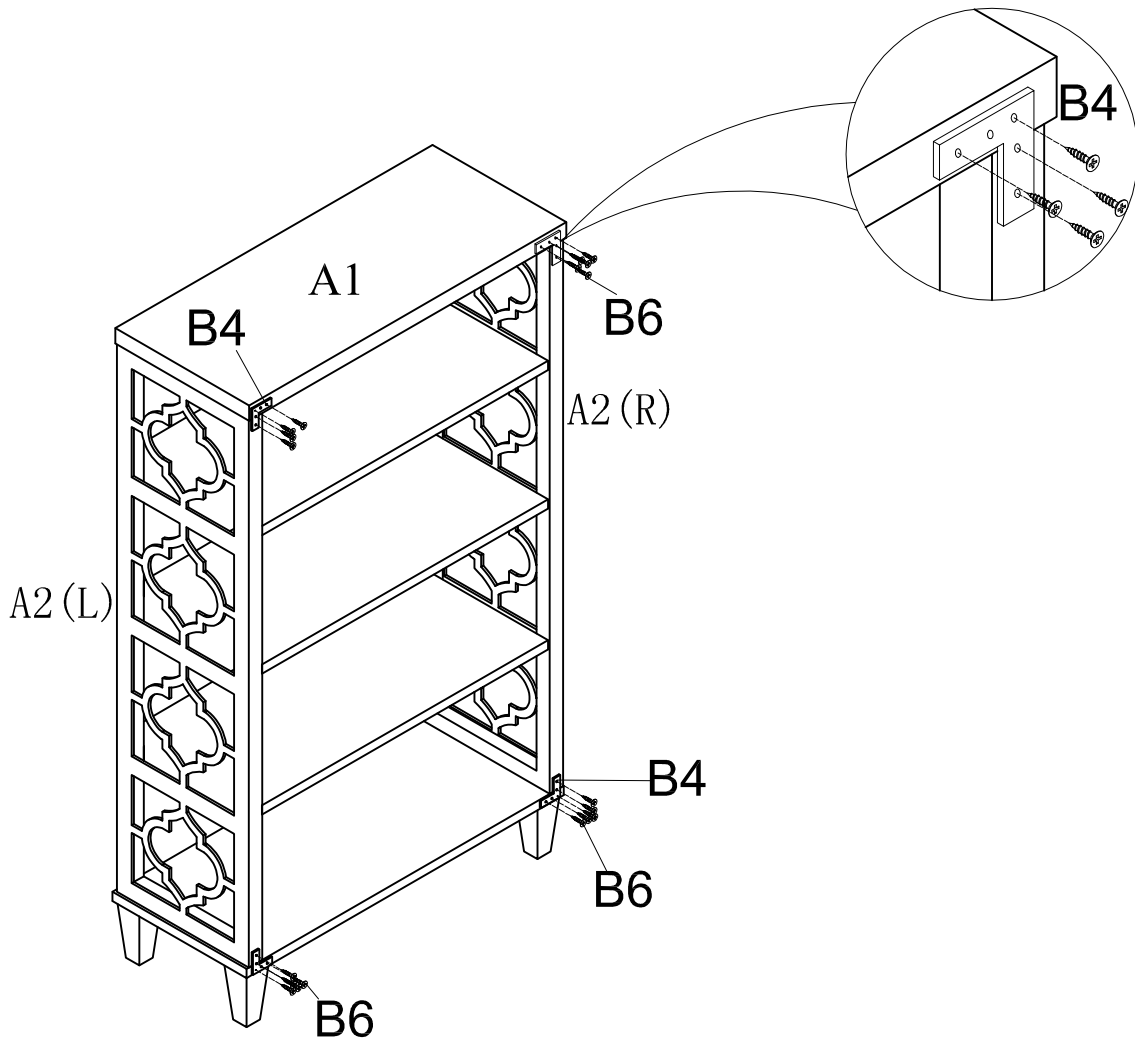
Step :4



Assemble Top Panel (A1) to Side Panels A2(L&R) using Wood Dowels (B1) and Bolts (B2).

Step :5

| | | |
|----|---|-------|
| B4 |  | 4pcs |
| B6 |  | 20pcs |



Attach Metal Connector (B4) to the back of the unit using Screws (B6).
Note: Please note holes were pre-drilled.