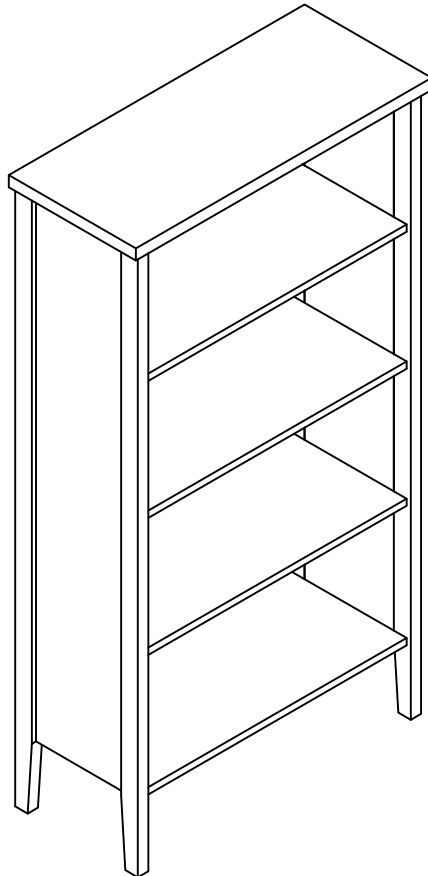


ASSEMBLY INSTRUCTIONS

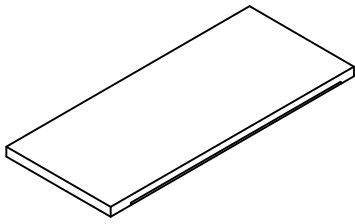
Style # BK125 4 Tier Bookcase



NOTE TO CUSTOMERS:

- For ease and speed of assembly we recommend that before you commence each step of the assembly that you identify all the parts required to complete that step.
- We recommend that where possible you allow sufficient space to assemble the item as close as possible to the place where it will be once assembled.
- For the protection of your furniture we recommend that the product is placed on protected surfaces during assembly to prevent any damage.
- During assembly do not over tighten, as this may damage the product.
- Please ensure you retain all the product packaging until the item completely assembled.
- Please periodically check all fittings and re-tighten as necessary.
- Please never allow any liquids to remain on your furniture as absorption can cause the wood to warp or finish to de-laminate.
- It is recommended that this item should be assembled by two adults.

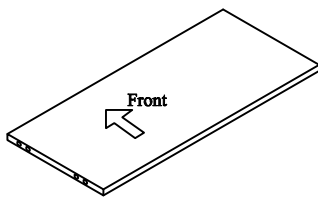
Part list :



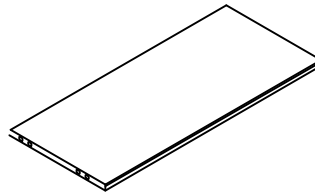
A1:Top Panel 1PC



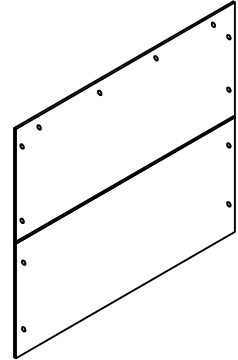
A2:(L&R) Side Panel 2PCS



A3:Shelf 3PCS

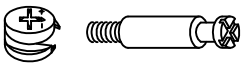


A4:Bottom Panel 1PC



A5:Back Panel 2PCS

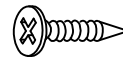
Hardware list :



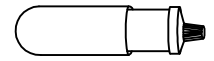
B1. Camlock Qty: 20



B2. Wood Dowel Qty: 16



B3. Screw Qty: 24



B4. Glue Qty: 1

Note:

- Read these instructions carefully before assembling.
- Tools required : Phillips screwdriver.
- Find a clean, smooth area on which to work , such as a carpet, in order to avoid scratching the wood surfaces.
- Wait to dispose of the packing material until assembly is complete and all parts and hardware are accounted for.
- Two or more people might be required for assembly.


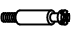

To use Dowels:

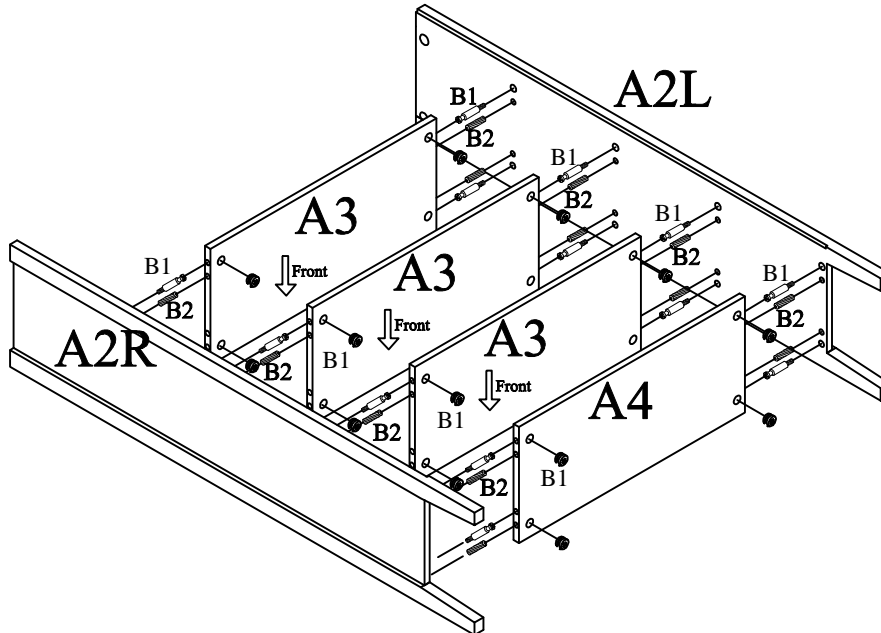
1. Add glue (about $\frac{1}{4}$ full) in the hole(s) of each board to be joined.
2. Insert the Dowel(s) and join boards.
3. Wipe excess glue with a damp paper towel.

To use Cam Locks:


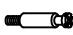
<p>1. Insert Cam Pin until snug</p> <p>Do not over-tighten</p>	<p>2. Set boards together</p>	<p>3. Insert Cam Lock</p> <p>Note arrow direction</p>	<p>4. Turn Cam Lock clockwise (half a turn)</p> <p>if it won't turn halfway, back out the Cam Pin $\frac{1}{4}$ turn and try Cam Lock again.</p>
--	-------------------------------	---	---

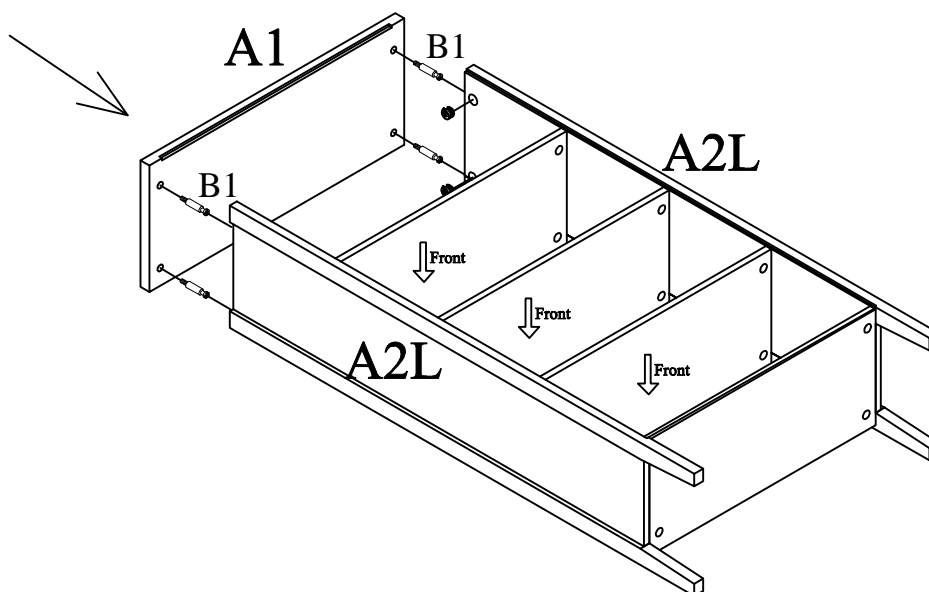
Step 1: Assemble the shelves A3 and the bottom panel A4 to the side panels A2 using wood dowels B2 and camlocks B1.

B1:   16sets
 B2:  16pcs

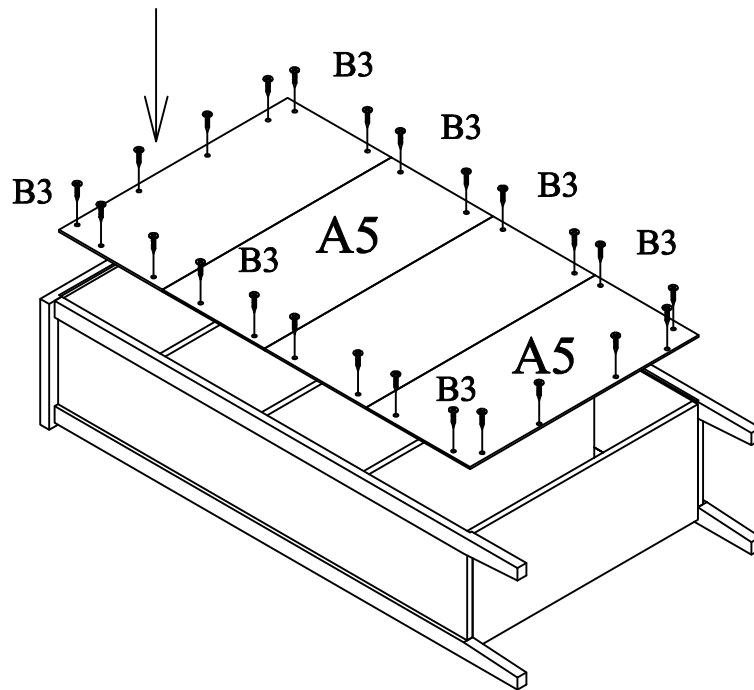


Step 2: Assemble the top panel A1 to the side panels A2 using camlocks B1.

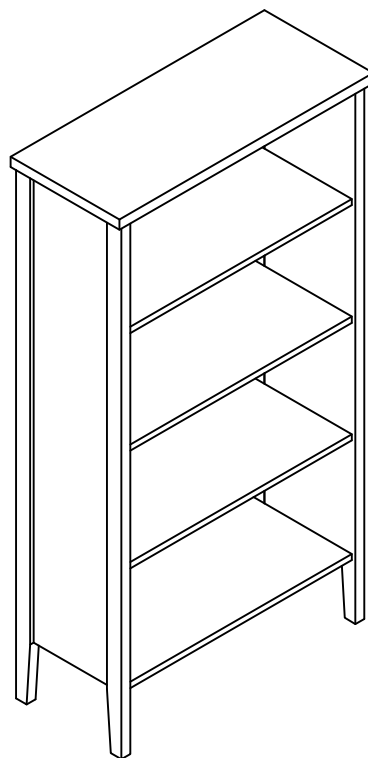
B1:   4sets



Step 3: Attach the back panels A5 to this unit using screws B3.



B3:  24pcs



Note: Maximum load capacity of each shelf is: 20LBS.