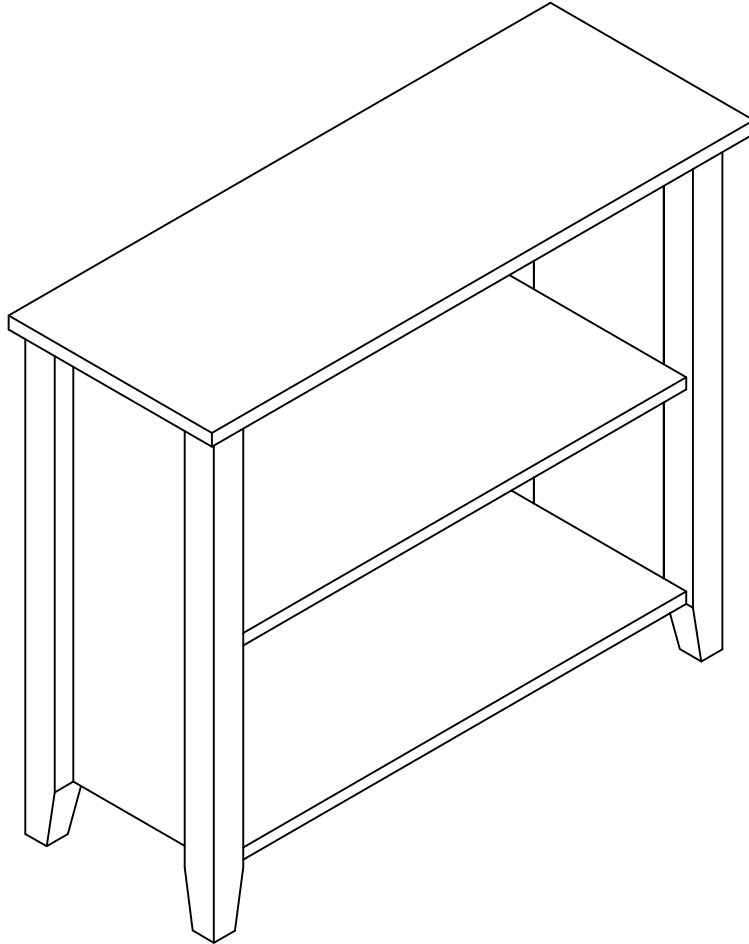


ASSEMBLY INSTRUCTIONS

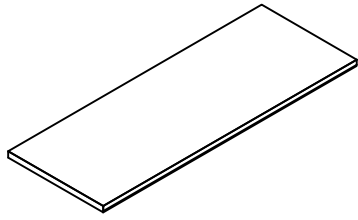
Style # BK119 2 Tier Bookcase



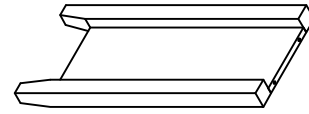
NOTE TO CUSTOMERS:

- For ease and speed of assembly we recommend that before you commence each step of the assembly that you identify all the parts required to complete that step.
- We recommend that where possible you allow sufficient space to assemble the item as close as possible to the place where it will be once assembled.
- For the protection of your furniture we recommend that the product is placed on protected surfaces during assembly to prevent any damage.
- During assembly do not over tighten, as this may damage the product.
- Please ensure you retain all the product packaging until the item completely assembled.
- Please periodically check all fittings and re-tighten as necessary.
- Please never allow any liquids to remain on your furniture as absorption can cause the wood to warp or finish to de-laminate.
- It is recommended that this item should be assembled by two adults.

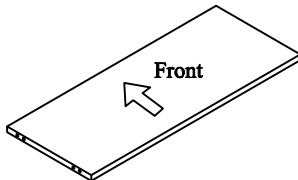
Part list :



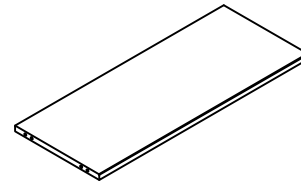
A1:Top Panel 1PC



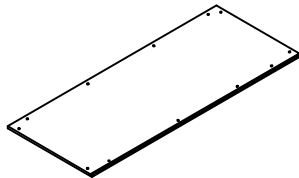
A2:(L&R):Side Panel 2PCS



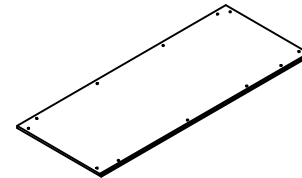
A3:Shelf 1PC



A4:Bottom Panel 1PC

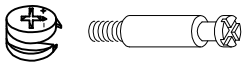


A5:Back Panel(up) 1PC

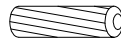


A6:Back Panel(down) 1PC

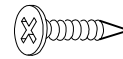
Hardware list :



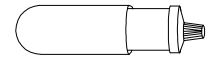
B1. Camlock Qty: 12



B2. Wood Dowel Qty: 8



B3. Screw Qty: 20



B4. Glue Qty: 1

Note:

- Read these instructions carefully before assembling.
- Tools required : Phillips screwdriver.
- Find a clean, smooth area on which to work , such as a carpet, in order to avoid scratching the wood surfaces.
- Wait to dispose of the packing material until assembly is complete and all parts and hardware are accounted for.
- Two or more people might be required for assembly.

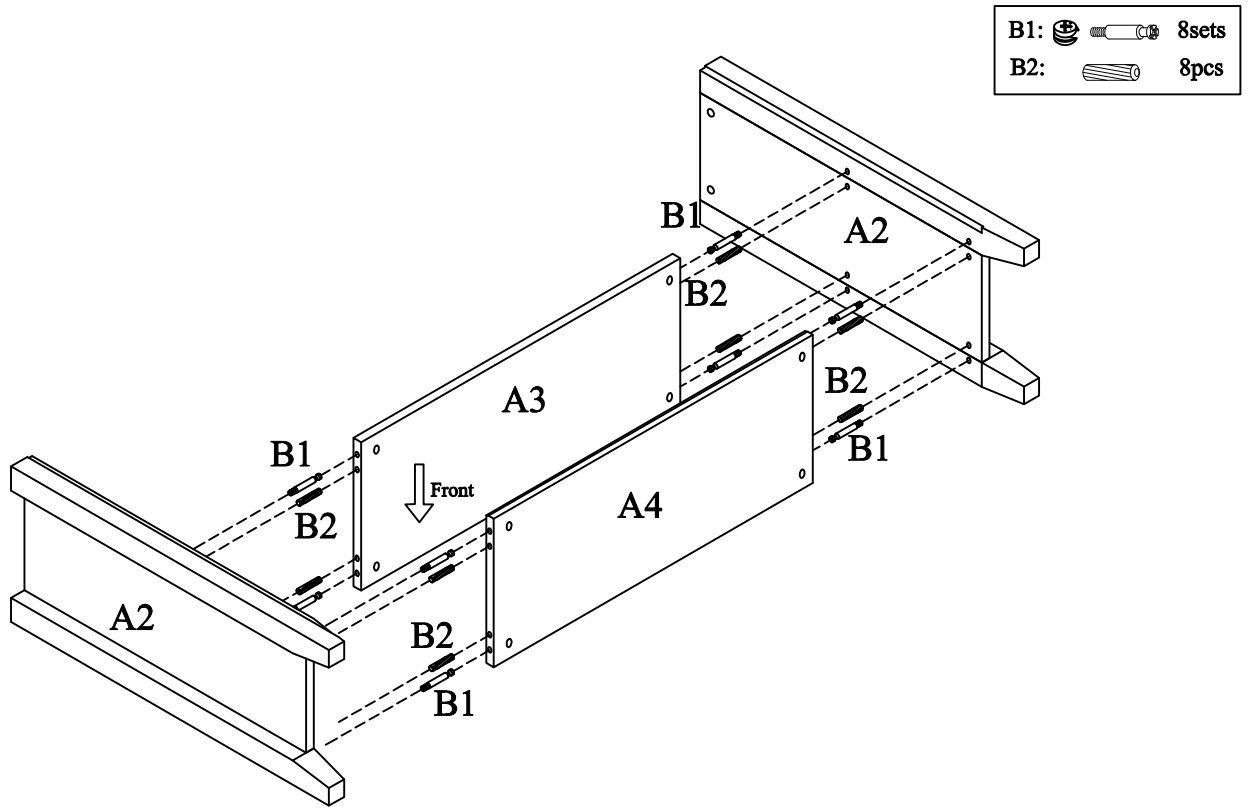
To use Dowels:

1. Add glue (about $\frac{1}{4}$ full) in the hole(s) of each board to be joined.
2. Insert the Dowel(s) and join boards.
3. Wipe excess glue with a damp paper towel.

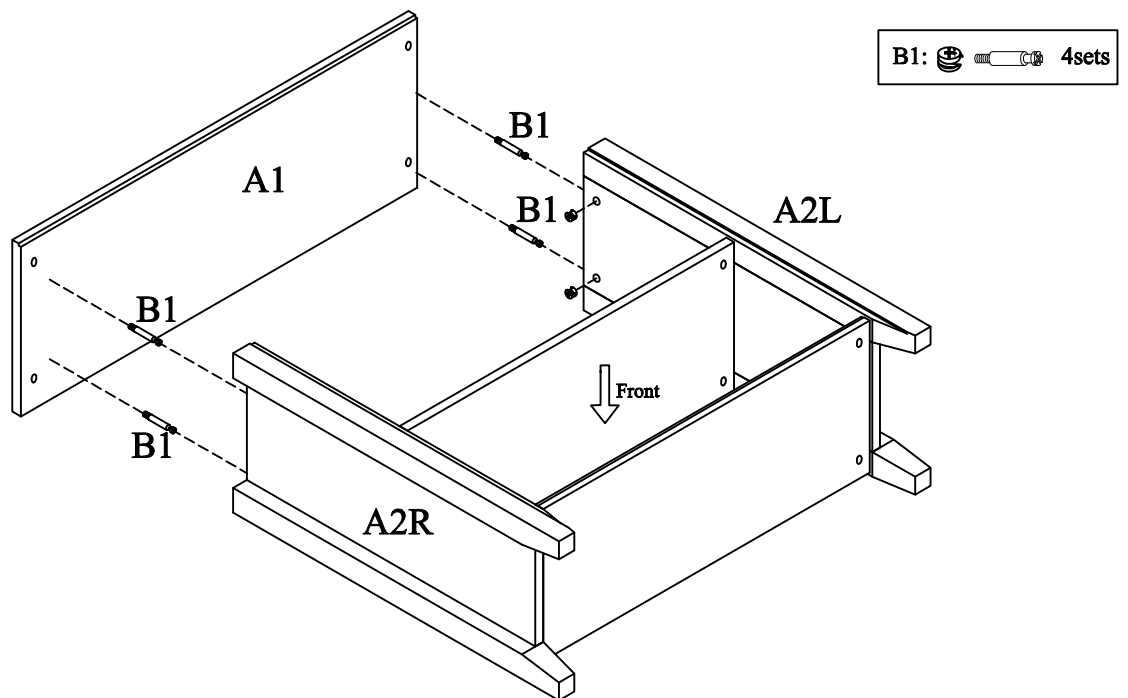
To use Cam Locks:

<p>1. Insert Cam Pin until snug</p> <p>Do not over-tighten</p>	<p>2. Set boards together</p>	<p>3. Insert Cam Lock</p> <p>Note arrow direction</p>	<p>4. Turn Cam Lock clockwise (half a turn)</p> <p>if it won't turn halfway, back out the Cam Pin $\frac{1}{4}$ turn and try Cam Lock again.</p>
--	-------------------------------	---	---

Step 1: Assemble Shelf A3 and Bottom Panel A4 to Side Panels A2 using Wood Dowels B2 and Camlocks B1.

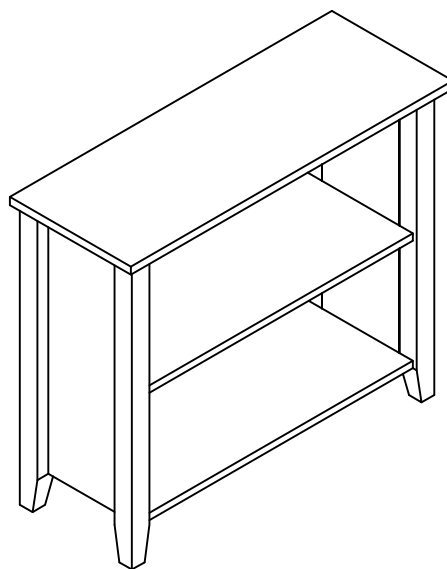
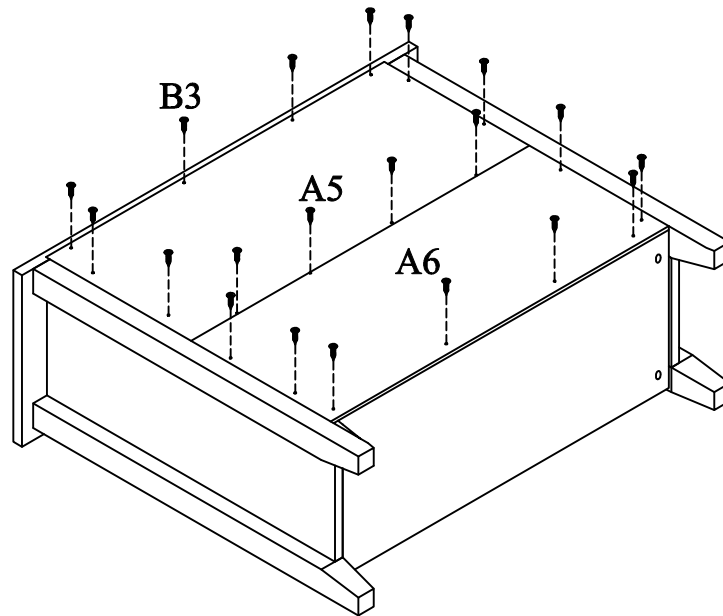


Step 2: Assemble Top Panel A1 to Side Panels A2 using Camlocks B1.



Step 3: Attach Back Panels A5 and A6 to this unit using Screws B3.

B3:  **20pcs**



Note: Maximum load capacity of each shelf is: 20LBS.