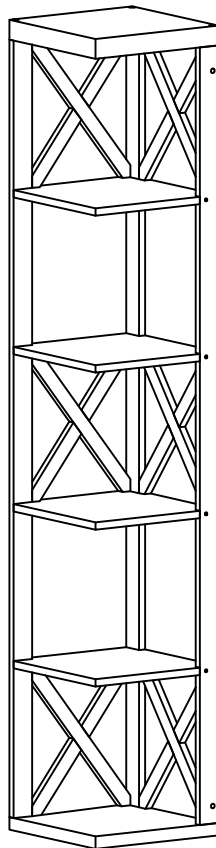


ASSEMBLY INSTRUCTIONS

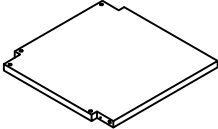
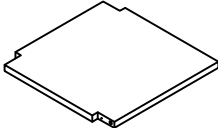
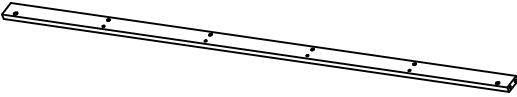
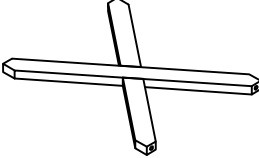
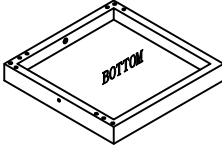
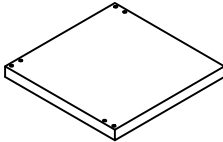
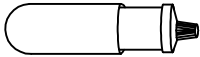
Style # BK11 &12 Corner Bookcase



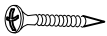

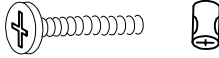
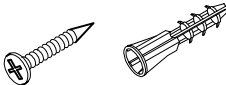
NOTE TO CUSTOMERS:

- For ease and speed of assembly we recommend that before you commence each step of the assembly that you identify all the parts required to complete that step.
- We recommend that where possible you allow sufficient space to assemble the item as close as possible to the place where it will be once assembled.
- For the protection of your furniture we recommend that the product is placed on protected surfaces during assembly to prevent any damage.
- During assembly do not to over tighten, as this may damage the product.
- Please ensure you retain all the product packaging until the item completely assembled.
- Please periodically check all fittings and re-tighten as necessary.
- Please never allow any liquids to remain on your furniture as absorption can cause the wood to warp or finish to de-laminate.

Part list :

 <p>A1. Middle Panel Qty: 2</p>	 <p>A2. Middle Panel Qty: 2</p>	 <p>A3. Leg Qty: 3</p>	
 <p>A4. Cross Bar Qty: 6</p>	 <p>A5. Top Panel Qty: 1</p>	 <p>A6. Bottom Panel Qty: 1</p>	

Hardware list :

 <p>B1. Screw Qty: 12</p>	 <p>B2. Wood Dowel Qty: 42</p>	 <p>B3. Bolt and Nut Qty: 6</p>	 <p>B4. Screw and Anchor Qty: 2</p>
--	---	---	--

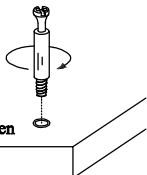
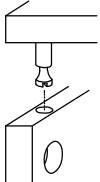
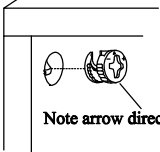
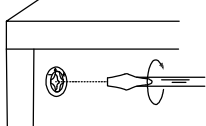
Note:

- Read these instructions carefully before assembling.
- Tools required : Phillips screwdriver, flat screwdriver.
- Find a clean, smooth area on which to work , such as a carpet, in order to avoid scratching the wood surfaces.
- Wait to dispose of the packing material until assembly is complete and all parts and hardware are accounted for.
- Two or more people might be required for assembly.

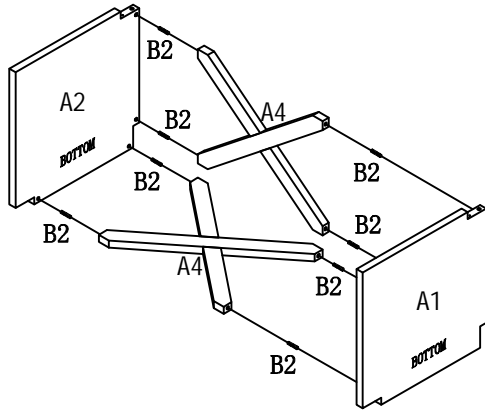
To use Dowels:

1. Add glue (about $\frac{1}{4}$ full) in the hole(s) of each board to be joined.
2. Insert the Dowel(s) and join boards.
3. Wipe excess glue with a damp paper towel.

To use Cam Locks:

<p>1. Insert Cam Pin until snug</p>  <p>Do not over-tighten</p>	<p>2. Set boards together</p> 	<p>3. Insert Cam Lock</p>  <p>Note arrow direction</p>	<p>4. Turn Cam Lock clockwise (half a turn)</p>  <p>if it won't turn halfway, back out the Cam Pin $\frac{1}{4}$ turn and try Cam Lock again.</p>
--	---	--	---

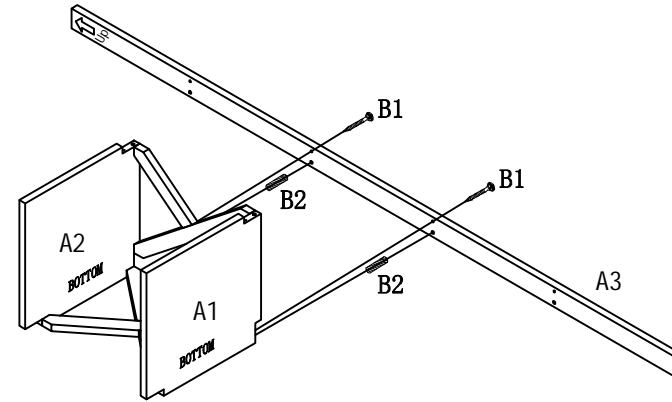
Step 1



B2 8PCS

Insert wooden Dowel B2 into the holes on the Middle Shelves A1 & A2. Then attach the Middle Shelves A1&A2 to the Cross Bars A4.

Step 2

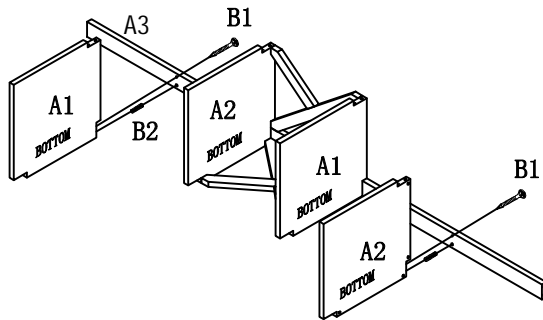


B1 2PCS

B2 2PCS

Insert the Wooden Dowels B2 into the holes on the sides of the Middle shelves A1 & A2. Then attach the Middle Shelves A1 & A2 to the leg A3 with screws B1 as above drawing shown.

Step 3

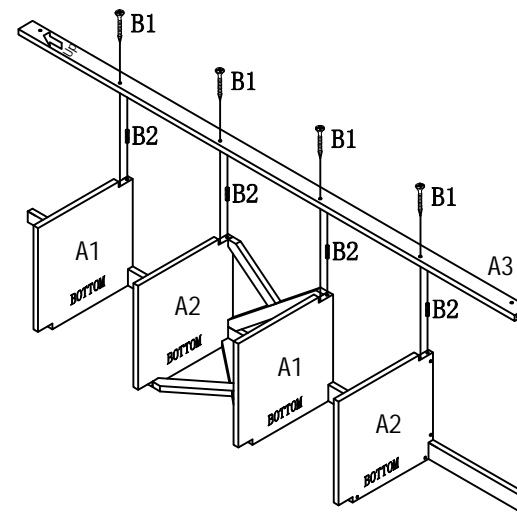


B1 2PCS

B2 2PCS

Insert the Wooden Dowels B2 into the holes on the sides of the other two Middle shelves A1 & A2. Then attach the Middle Shelves A1 & A2 to the leg A3 with screws B1 as above drawing shown.

Step 4

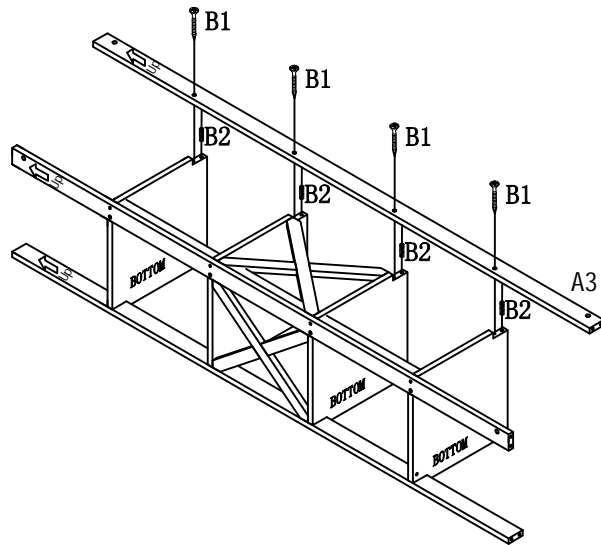


B1 4PCS

B2 4PCS

Insert the Wooden Dowels B2 into the holes on the sides of Middle shelves A1 & A2. Then attach another leg A3 to Middle Shelves A1 & A2 with screws B1.

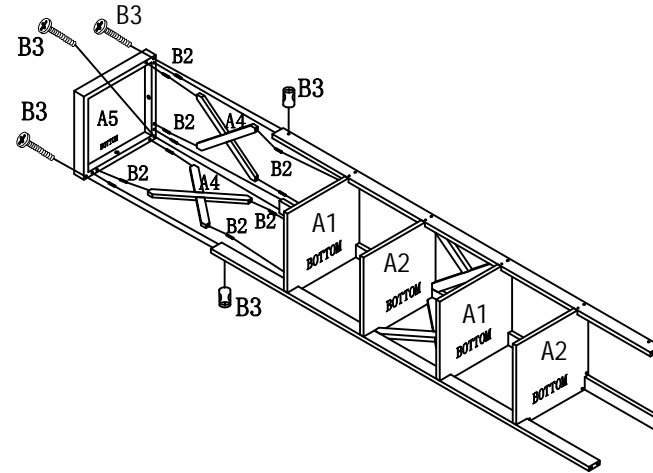
Step 5



B1 4PCS
B2 4PCS

Insert the Wooden Dowels B2 into the holes on the sides of Middle shelves A1 & A2. Then attach the rest of leg A3 to Middle Shelves A1 & A2 with screws B1.

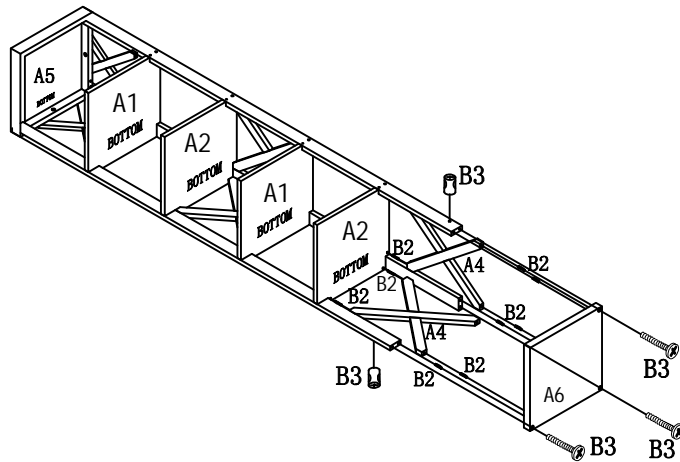
Step 6



B2 22PCS
B3 6PCS

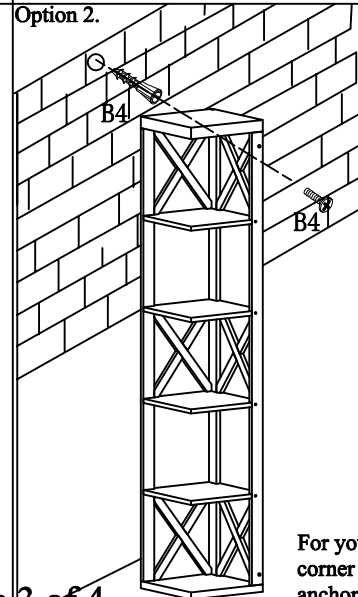
1.) Insert the Wooden Dowels B2 into the holes on another two Cross Bars A4. Then attach the Cross bars A4 to the Middle Shelves A1.
2.) Attach the Top Panel A5 to the Cross Bars A4 and legs A3 with wooden dowels B2.
3.) Then tighten the Top Panel and legs using Bolts B3 with included nuts.

Step 7

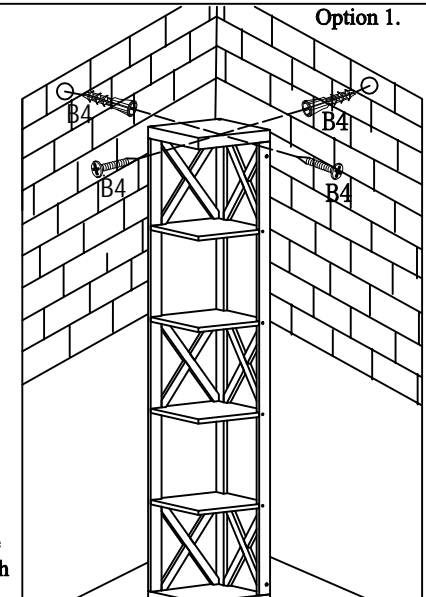


1.) Insert the Wooden Dowels B2 into the holes on the rest of two Cross Bars A4. Then attach the rest of Cross bars A4 to the Middle Shelves A2.
2.) Attach the Bottom Panel A6 to the Cross Bars A4 and legs A3 with wooden dowels B2.
3.) Then tighten the Bottom Panel and legs using Bolts B3 with included nuts.

Step 8



Option 1.



For your safety, please attach the corner bookcase to the wall with anchors and screws B4.