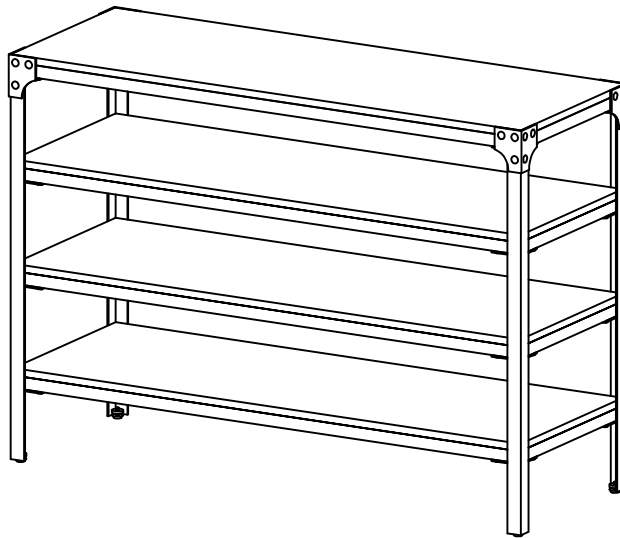


ASSEMBLY INSTRUCTIONS






Style # BK106 4 Tier Bookcase



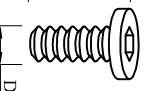
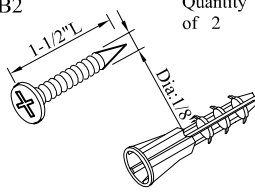
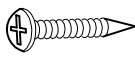

NOTE TO CUSTOMERS:

- For ease and speed of assembly we recommend that before you commence each step of the assembly that you identify all the parts required to complete that step.
- We recommend that where possible you allow sufficient space to assemble the item as close as possible to the place where it will be once assembled.
- For the protection of your furniture we recommend that the product is placed on protected surfaces during assembly to prevent any damage.
- During assembly do not over tighten ,as this may damage the product.
- Please ensure you retain all the product packaging until the item completely assembled.
- Please periodically check all fittings and re-tighten as necessary.
- It is recommended that this item should be assembled by two adults.


Part List

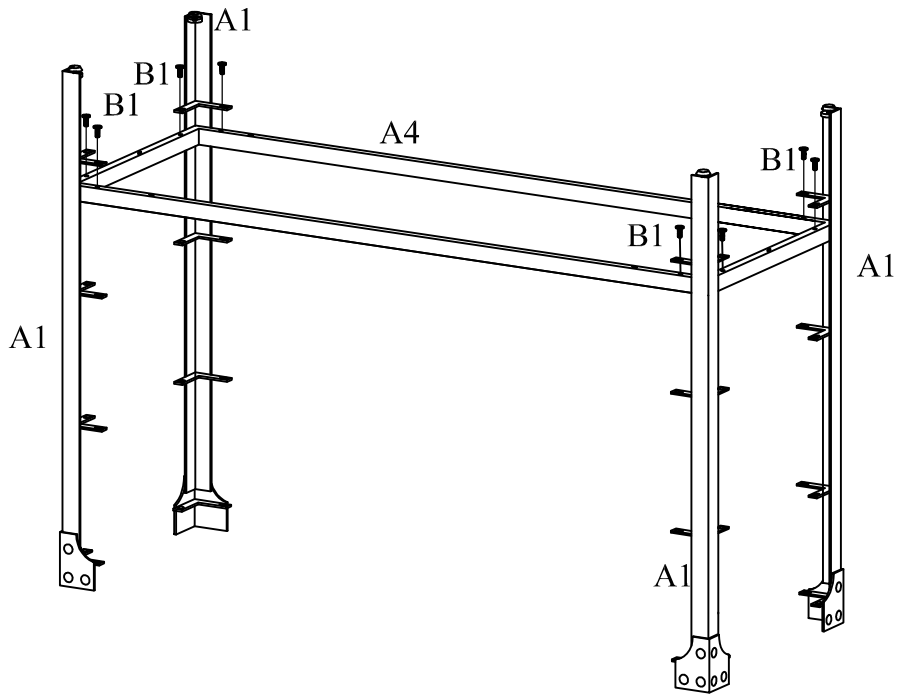
A1 	A2 	Quantity of 1	A3 	Quantity of 1	A4 	Quantity of 3	A5 	Quantity of 3
Leg	Top Frame		Top Panel		Shelf Frame		Shelf Panel	

Hardware List:

B1  5/8" L Dia: 1/4"	Quantity of 32	B2  1-1/2" L Dia: 1/8"	Quantity of 2	B3 	Quantity of 24	B4 	Quantity of 1
Bolt		Anchor and Screw		Screw		Allen Key	

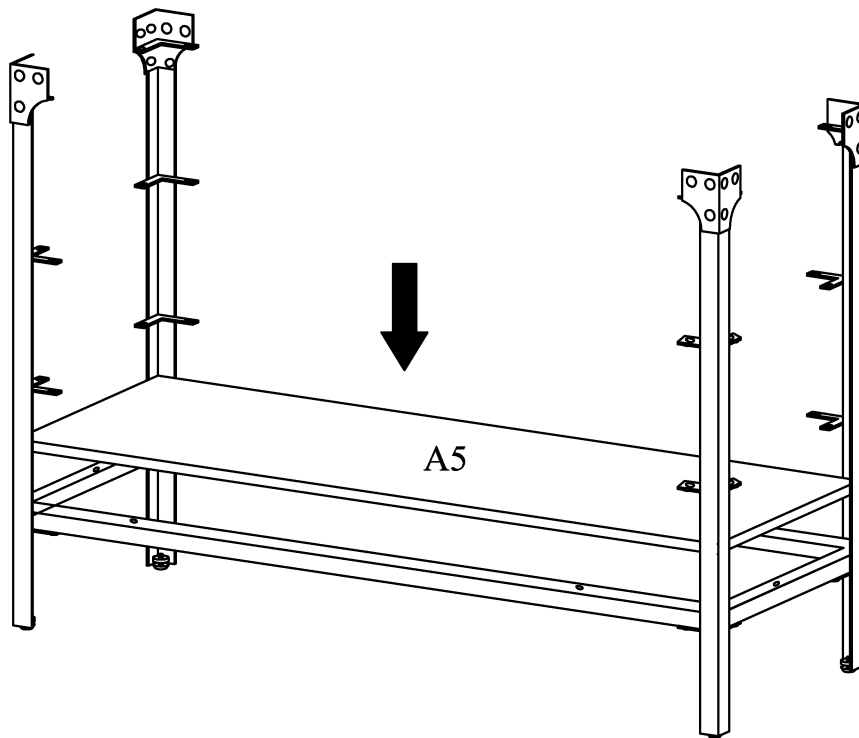
Step 1

B1

8PCS



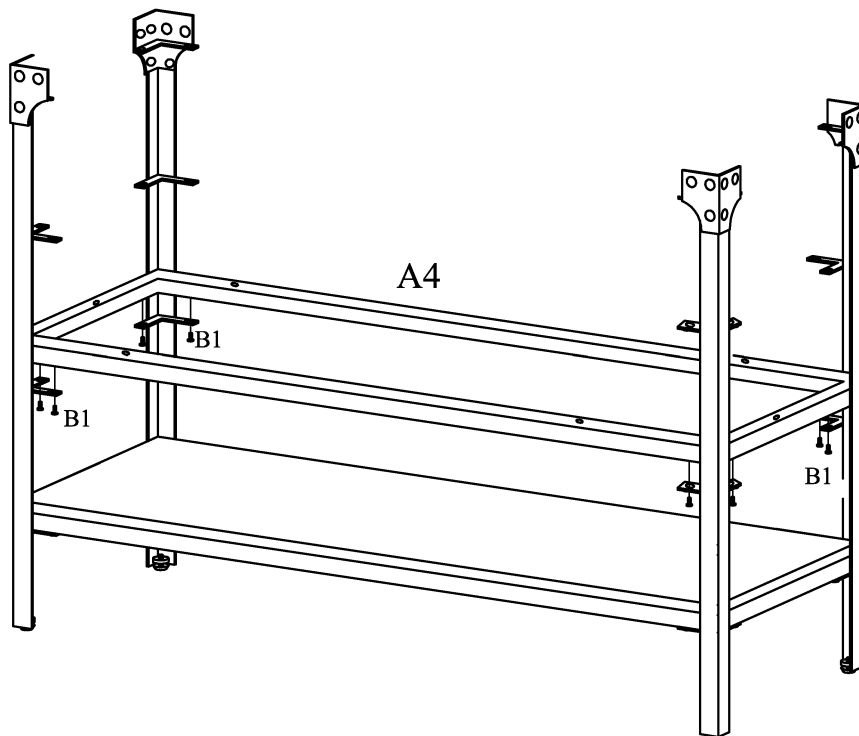
Assemble Legs A1 to Shelf Frame A4 using Bolts B1, do not tighten Bolts B1 until Step 9.

Step 2



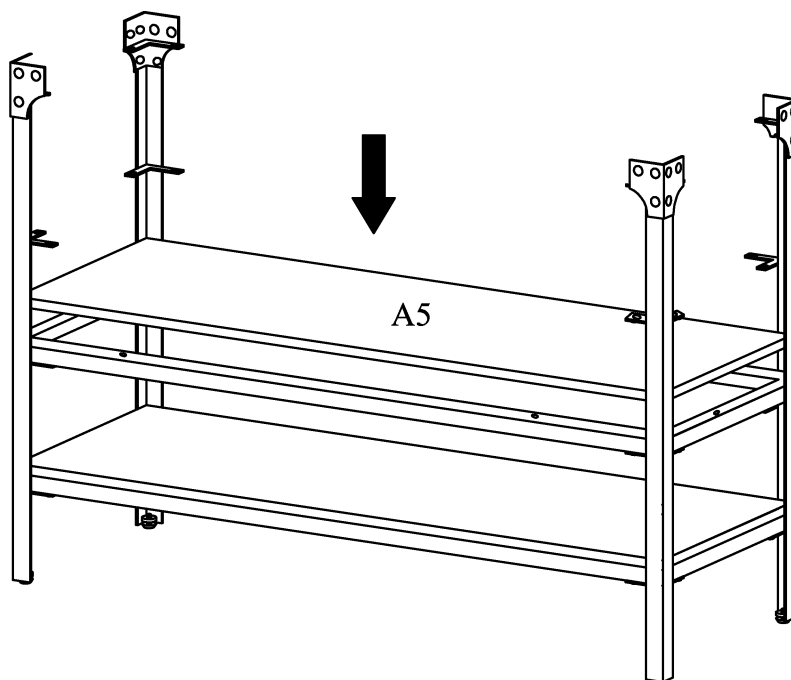
Place Shelf Panel A5 onto Shelf Frame A4 as shown above.

Step 3



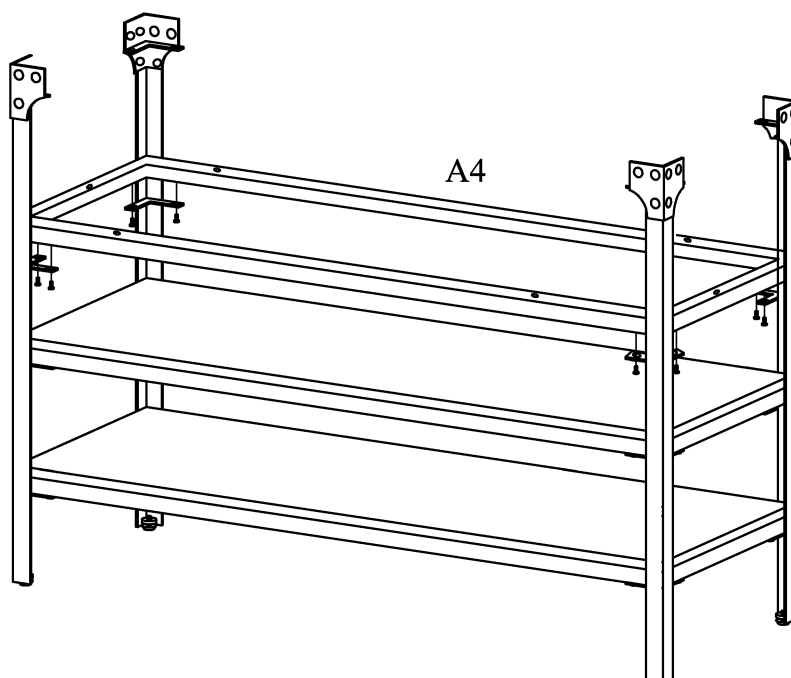
Assemble Shelf Frame A4 to Legs A1 using Bolts B1.
NOTE: Please do not tighten Bolts B1 until Step 9.

Step 4



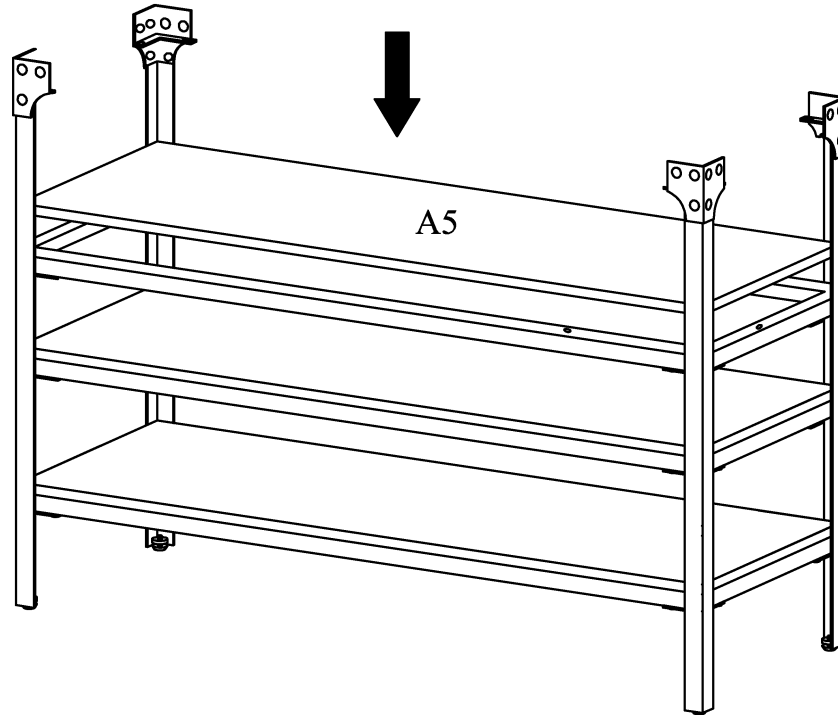
Place Shelf Panel A5 onto Shelf Frame A4 as shown above.

Step 5




Assemble Shelf Frame A4 to Legs A1 using Bolts B1.
Note: Please do not tighten Bolts B1 until Step 9.

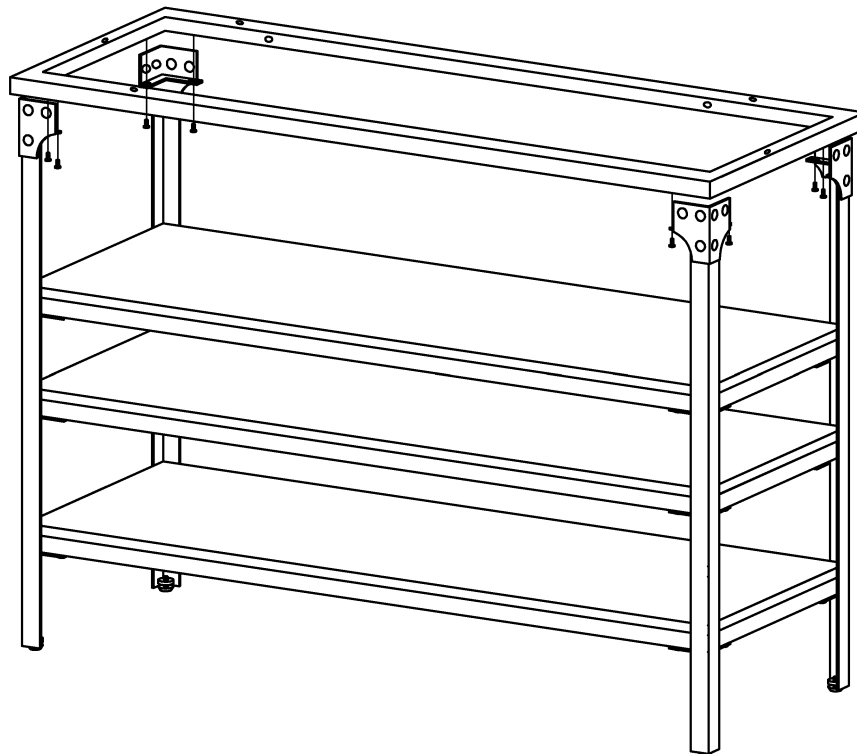
Step 6



Place Shelf Panel A5 onto Shelf Frame as shown above.

Step 7

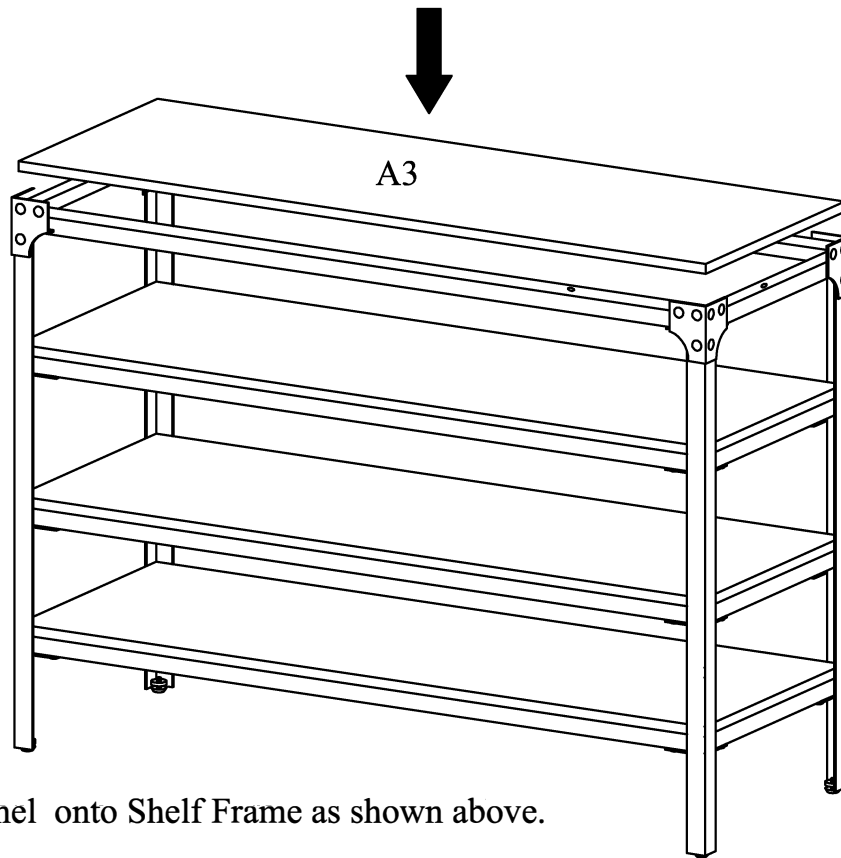
B1  8PCS



Assemble Shelf Frame A4 to Legs A1 using Bolts B1.

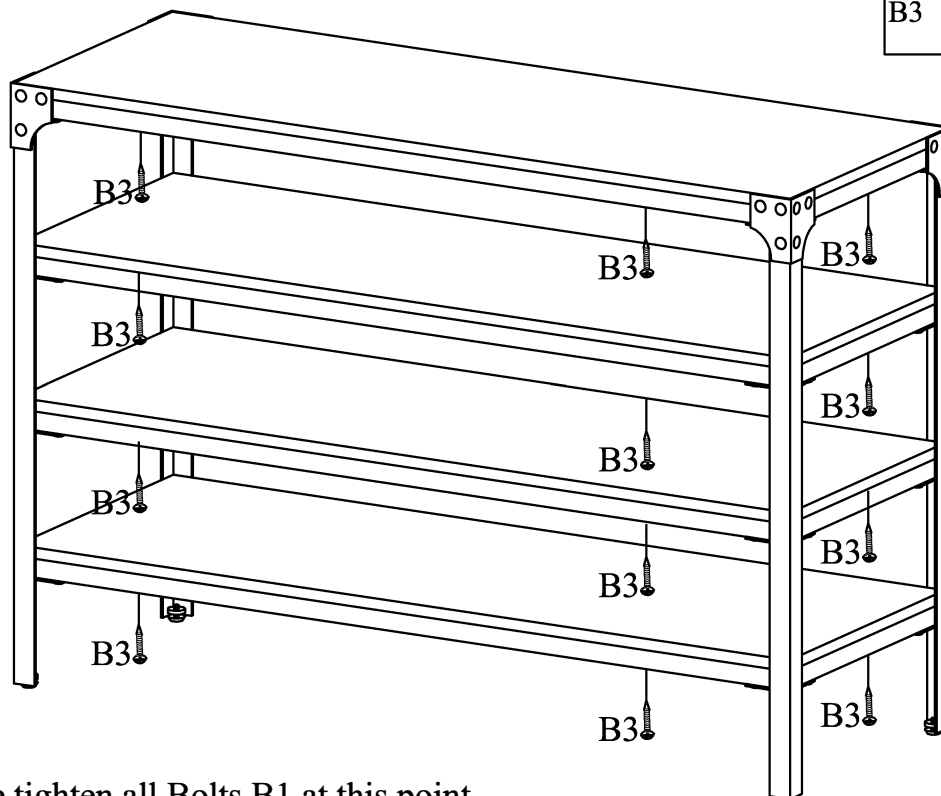
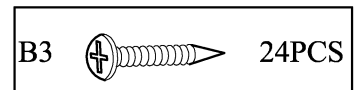
Note: Please do not tighten Bolts B1 until Step 9.

Step 8



Place Top Panel onto Shelf Frame as shown above.

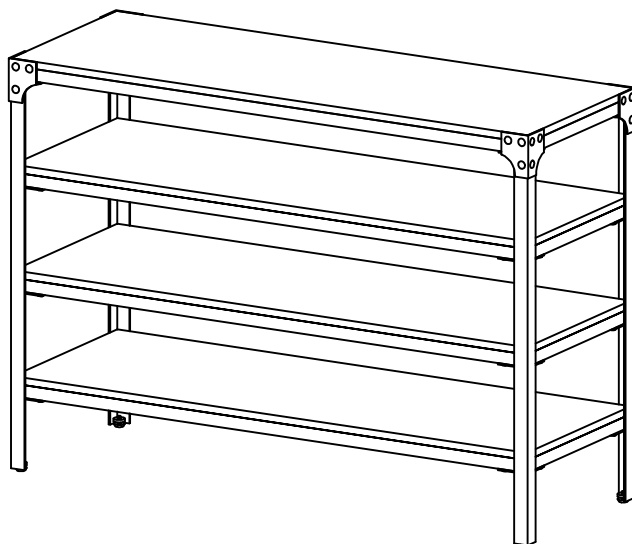
Step 9



- 1). Please tighten all Bolts B1 at this point.
- 2). Tighten Shelf Panels A5 to Shelf Frames A4 using Screws B3.
- 3). Then tighten Top Panel A3 to Top Frame A2 using Screws B3 as shown above.

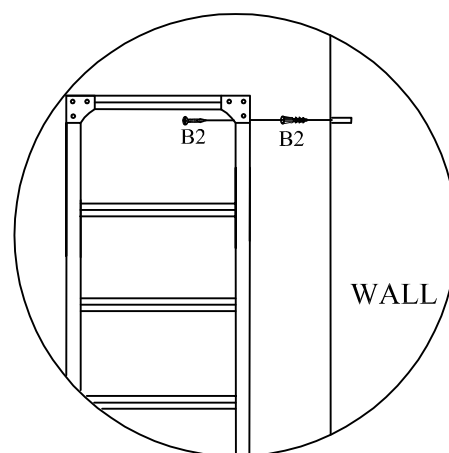
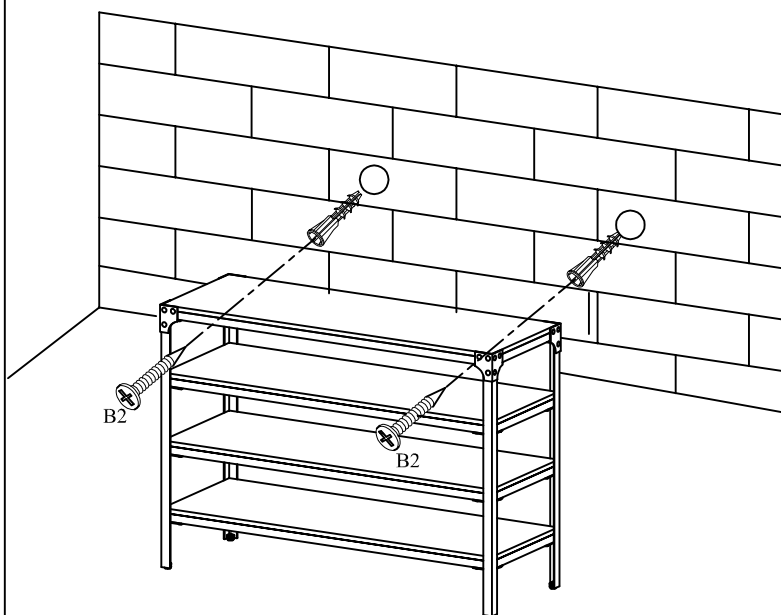
Step 10

B4  1PC



Step 11

B2  2SETS



For your safety, please Screw the bookcase to the wall using Anchor with Screws B2.