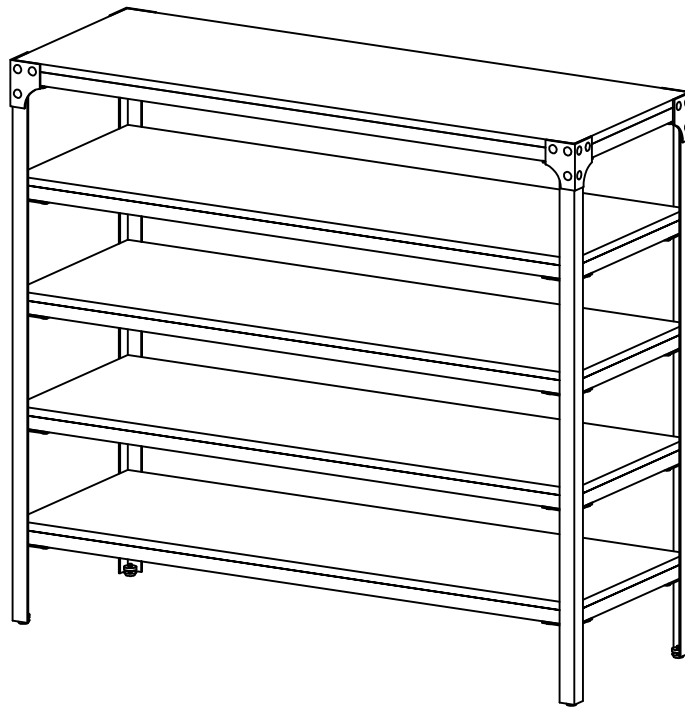


ASSEMBLY INSTRUCTIONS






Style # BK105 5 Tier Bookcase



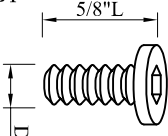
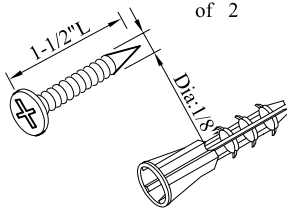
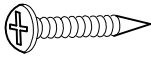
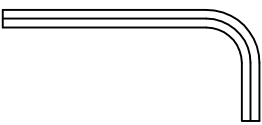
NOTE TO CUSTOMERS:

- For ease and speed of assembly we recommend that before you commence each step of the assembly that you identify all the parts required to complete that step.
- We recommend that where possible you allow sufficient space to assemble the item as close as possible to the place where it will be once assembled.
- For the protection of your furniture we recommend that the product is placed on protected surfaces during assembly to prevent any damage.
- During assembly do not over tighten ,as this may damage the product.
- Please ensure you retain all the product packaging until the item completely assembled.
- Please periodically check all fittings and re-tighten as necessary.
- It is recommended that this item should be assembled by two adults.

Part List

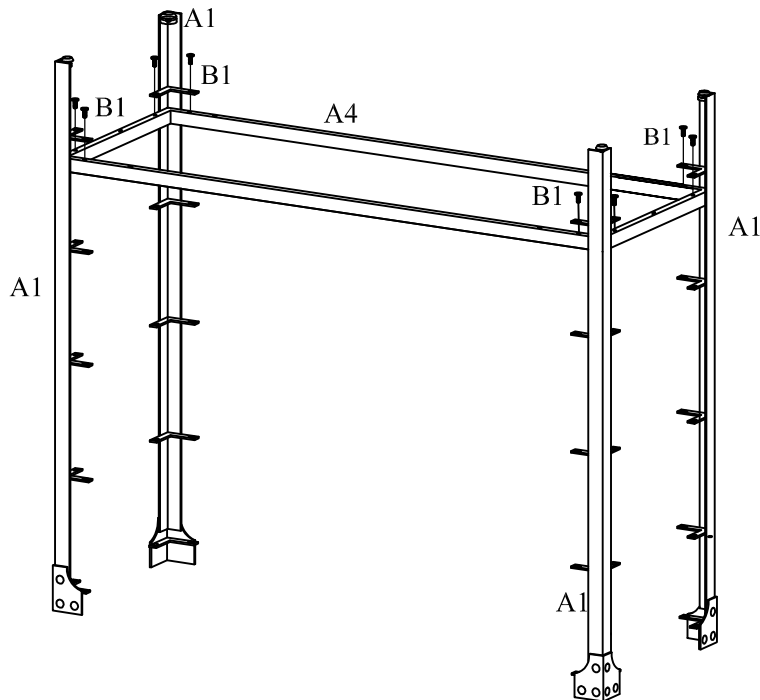
A1 	A2 	Quantity of 1	A3 	Quantity of 1	A4 	Quantity of 4	A5 	Quantity of 4
Leg	Top Frame		Top Panel		Shelf Frame		Shelf Panel	

Hardware List:

B1  5/8"L Dia: 1/4"	Quantity of 40	B2  1-1/2"L Dia: 1/8"	Quantity of 2	B3 	Quantity of 30	B4 	Quantity of 1	
Bolt		Anchor with Screw		Screw		Allen Key		

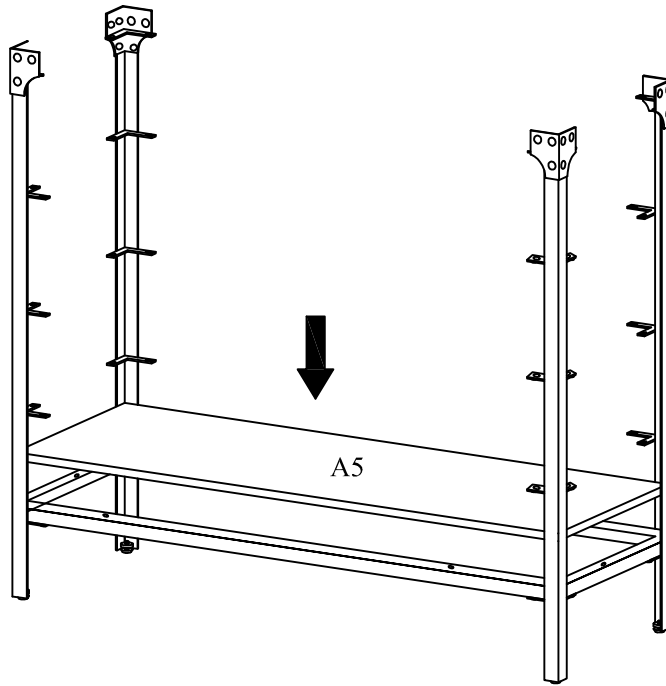
Step 1

B1  8PCS



Assemble Legs A1 to Shelf Frame A4 using Bolts B1, do not tighten Bolts B1 until Step 11.

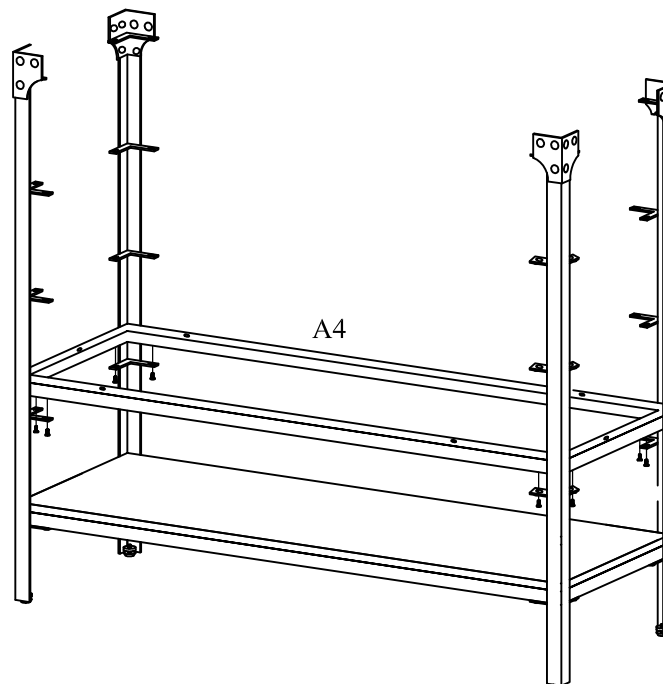
Step 2



Place Shelf Panel A5 onto Shelf Frame A4 as shown above.

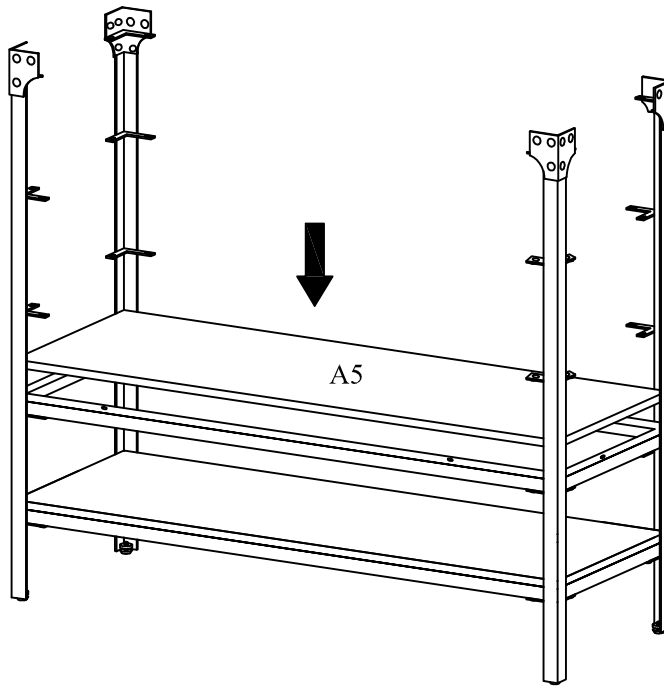
Step 3

B1  8PCS



Assemble Shelf Frame A4 to Legs A1 using Bolts B1.
NOTE: Please do not tighten Bolts B1 until Step 11.

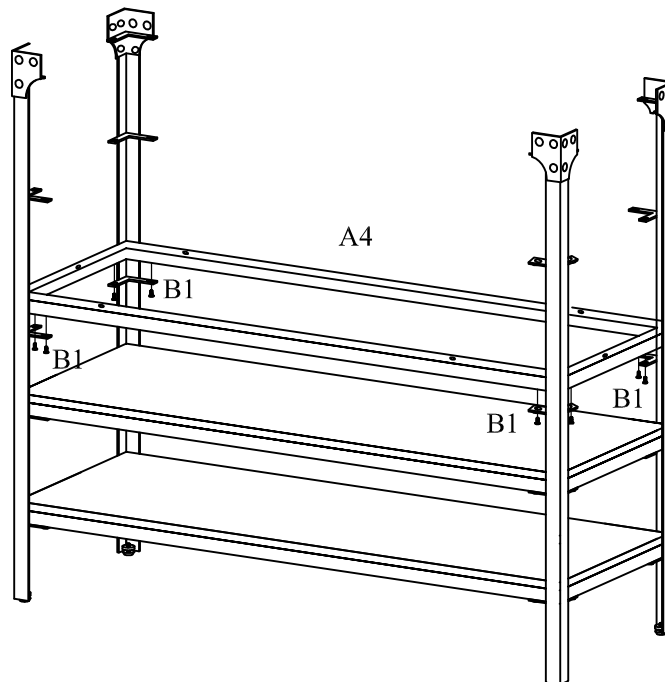
Step 4



Place Shelf Panel A5 onto Shelf Frame A4 as shown above.

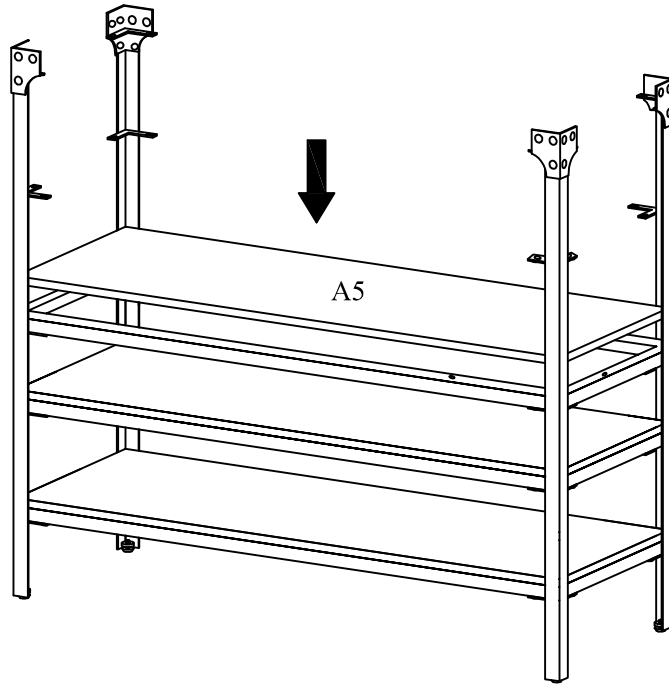
Step 5

B1  8PCS



Assemble Shelf Frame A4 to Legs A1 using Bolts B1.
NOTE: Please do not tighten Bolts B1 until Step 11.

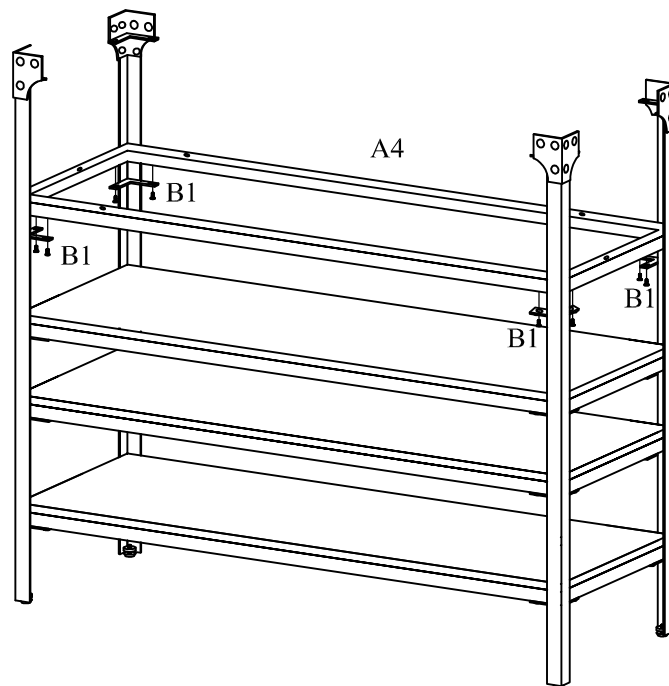
Step 6



Place Shelf Panel A5 onto Shelf Frame A4 as shown above.

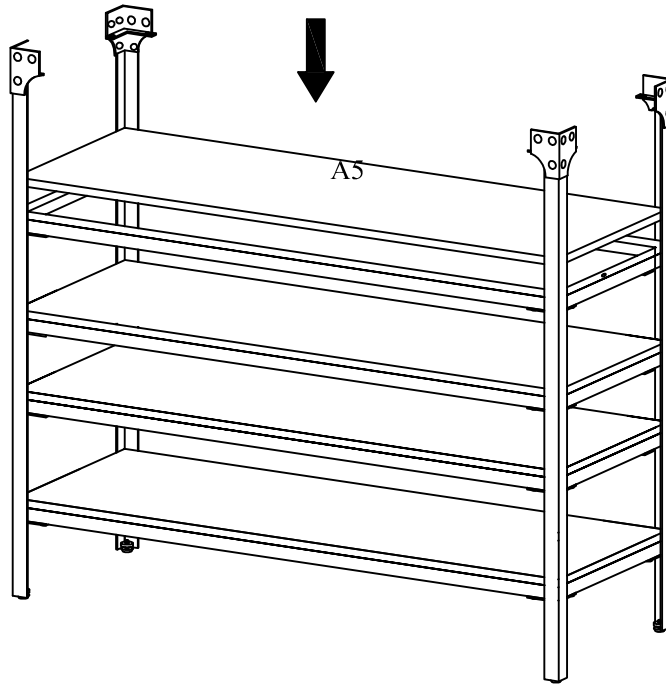
Step 7

B1  8PCS



Assemble Shelf Frame A4 to Legs A1 using Bolts B1.
NOTE: Please do not tighten Bolts B1 until Step 11.

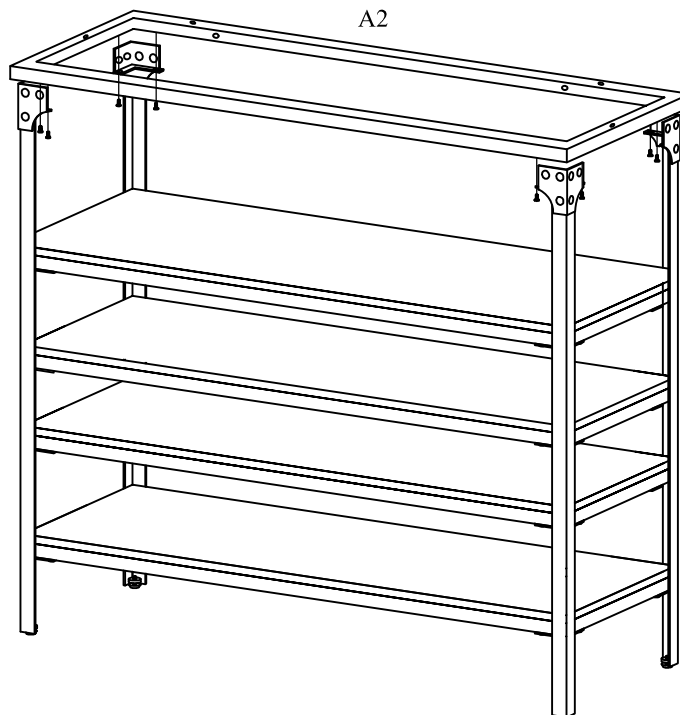
Step 8



Place Shelf Panel A5 onto Shelf Frame A4 as shown above.

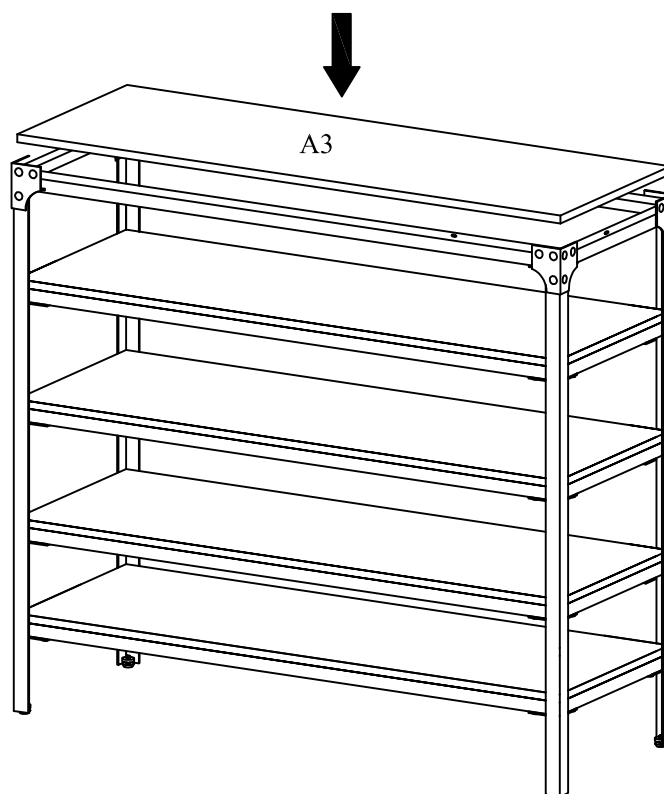
Step 9

B1  8PCS



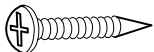
Assemble Top Frame A2 to Legs A1 using Bolts B1.
NOTE: Please do not tighten Bolts B1 until Step 11.

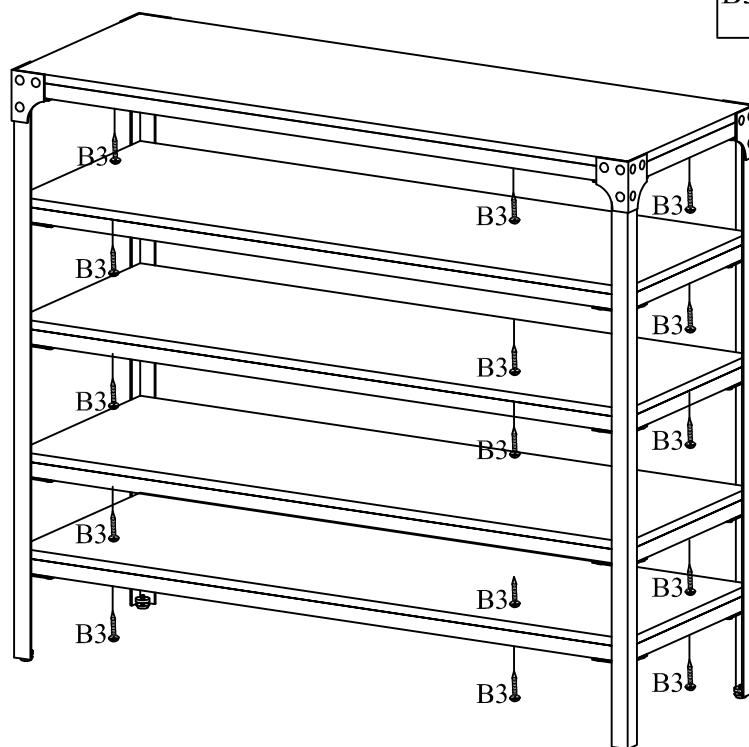
Step 10



Place Top Panel A3 onto Top Frame A2 as shown above.

Step 11

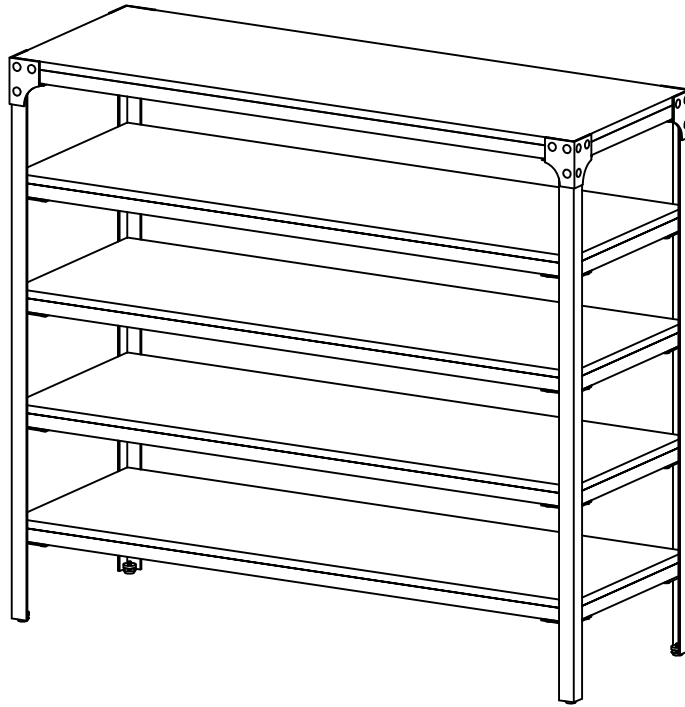
B3  30PCS




- 1). Please tighten all Bolts B1 at this point.
- 2). Screw Shelf Frames A4 to Shelf Panels A5 using Screws B3.
- 3). Then screw Top Frame A2 to Top Panel using Screws B3 as shown above.

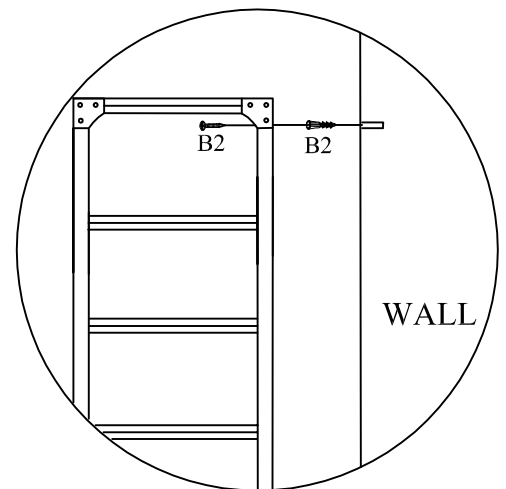
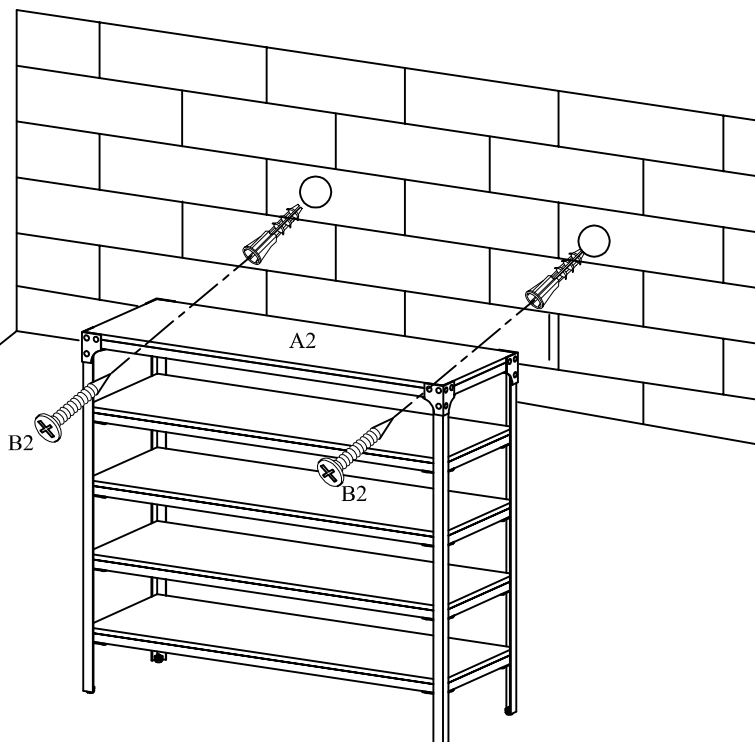
Step 12

B4  1PC



Step 13

B2  2SETS



For your safety, please Screw the bookcase to the wall using Anchor with Screws B2.