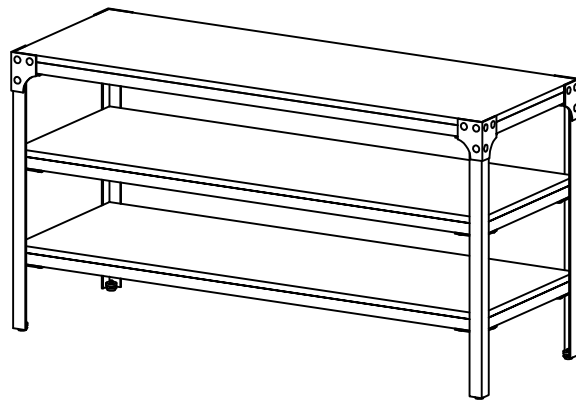


ASSEMBLY INSTRUCTIONS






Style # BK103 3 Tier Bookcase



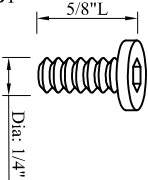
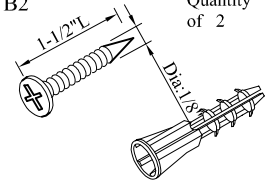
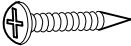

NOTE TO CUSTOMERS:

- For ease and speed of assembly we recommend that before you commence each step of the assembly that you identify all the parts required to complete that step.
- We recommend that where possible you allow sufficient space to assemble the item as close as possible to the place where it will be once assembled.
- For the protection of your furniture we recommend that the product is placed on protected surfaces during assembly to prevent any damage.
- During assembly do not over tighten ,as this may damage the product.
- Please ensure you retain all the product packaging until the item completely assembled.
- Please periodically check all fittings and re-tighten as necessary.
- It is recommended that this item should be assembled by two adults.


Part List

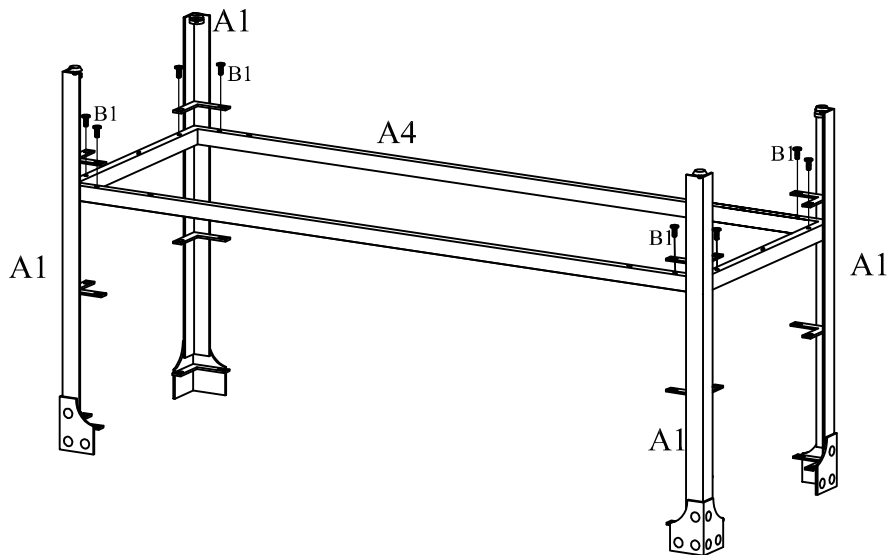
A1	A2	Quantity of 1	A3	Quantity of 1	A4	Quantity of 2	A5	Quantity of 2
								
Leg	Top Frame		Top Panel		Shelf Frame		Shelf Panel	

Hardware List:

B1	Quantity of 24	B2	Quantity of 2	B3	Quantity of 18	B4	Quantity of 1
							
Bolt		Anchor and Screw		Screw		Allen Key	

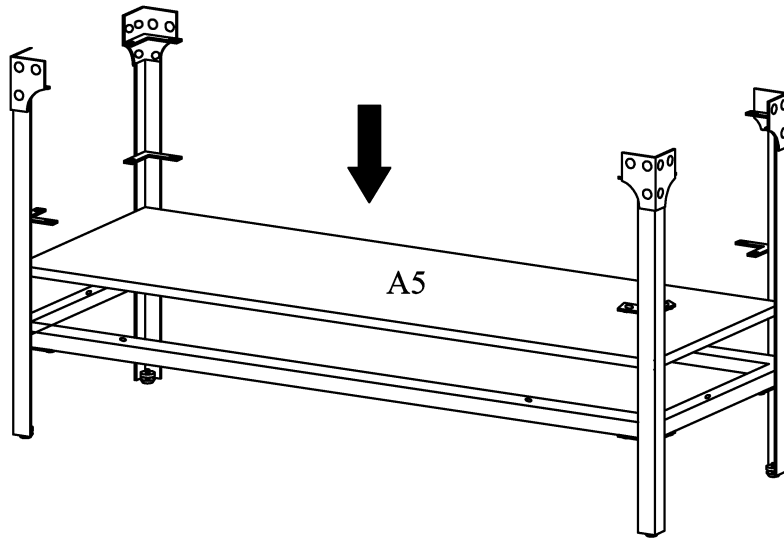
Step 1

B1

8PCS



Assemble Legs A1 to Shelf Frame A4 using Bolts B1, do not tighten bolts until Step 7.

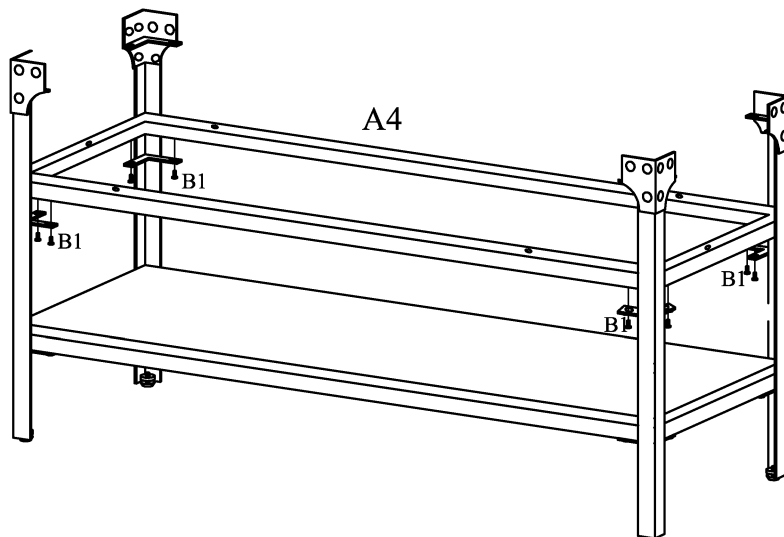
Step 2



Place Shelf Panel A5 onto Shelf Frame A4 as shown above.

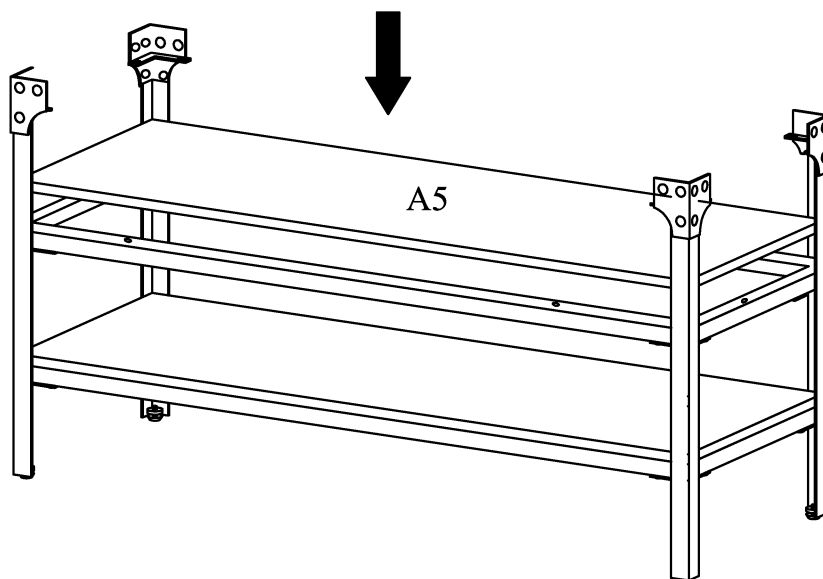
Step 3

B1  8PCS



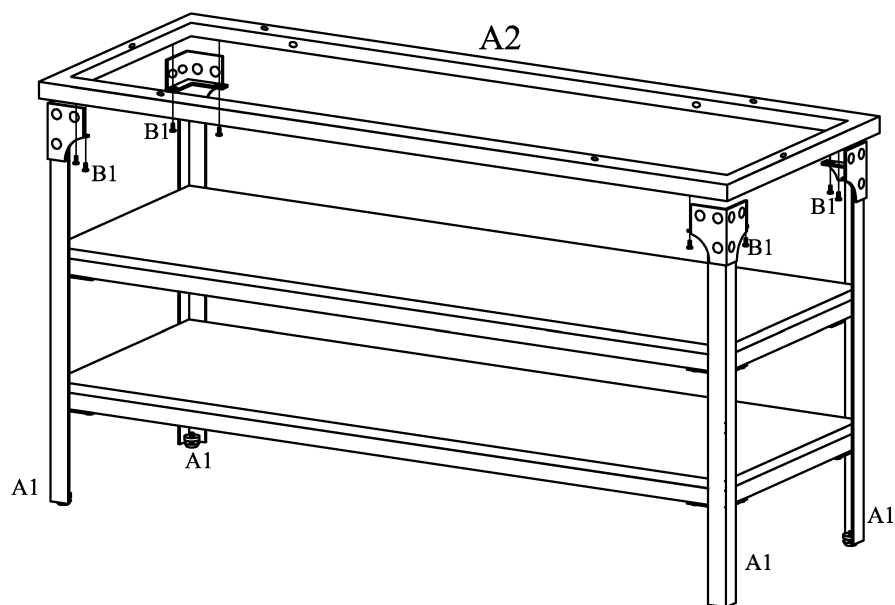
Assemble Shelf Frame A4 to Legs A1 using Bolts B1, do not tighten bolts until Step 7.

Step 4



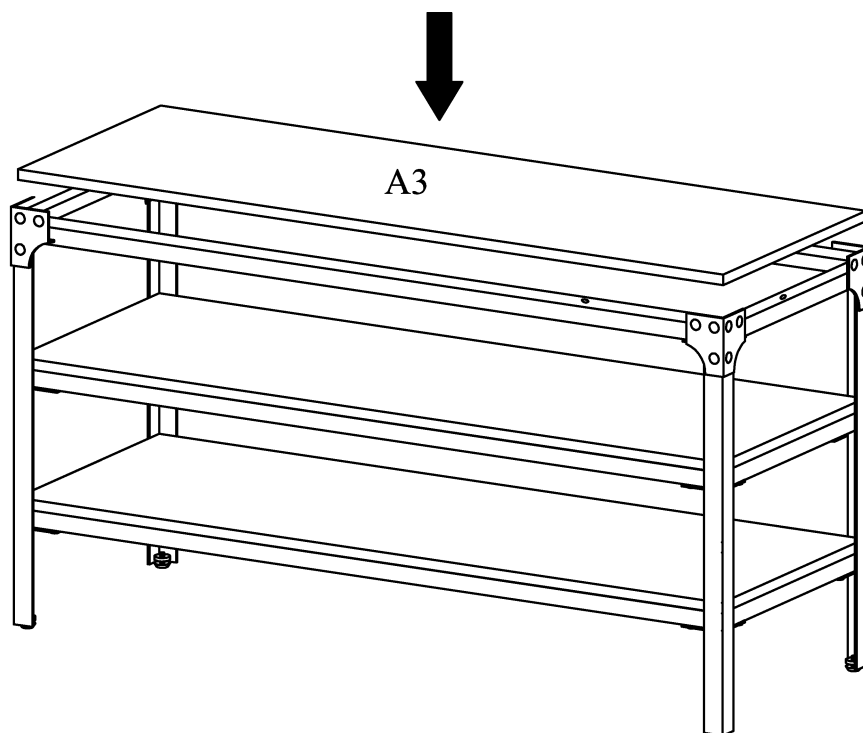
Place Shelf Panel A5 onto Shelf Frame A4 as shown above.

Step 5



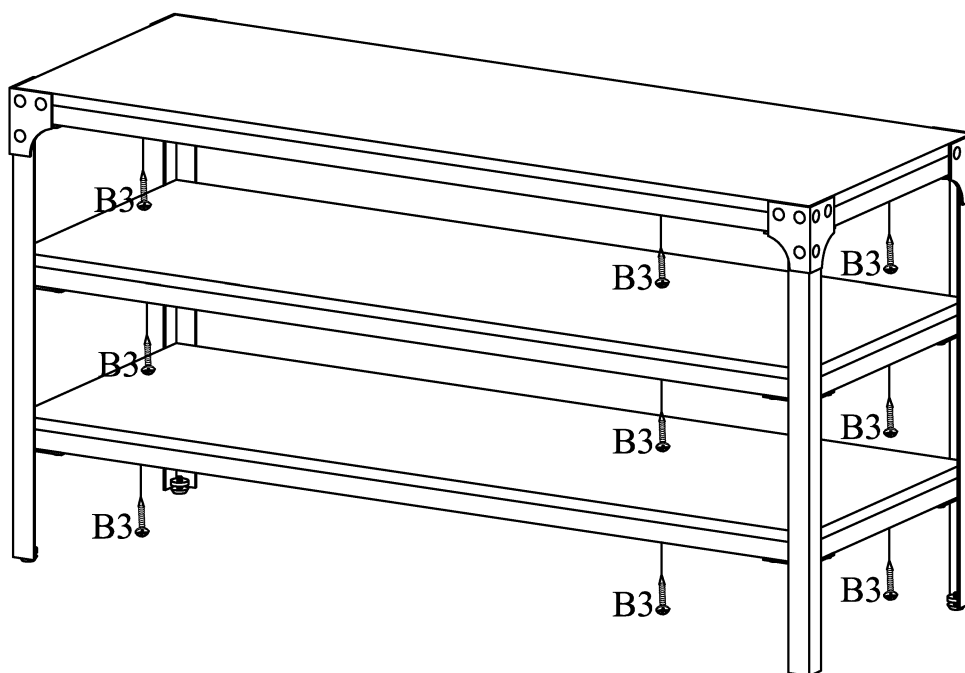
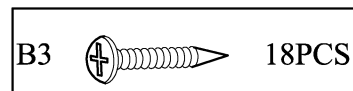
Assemble Top Frame A2 to Legs A1 using Bolts B1, do not tighten bolts until Step 7.

Step 6



Place Top Panel A3 onto Top Frame A2 as shown above.

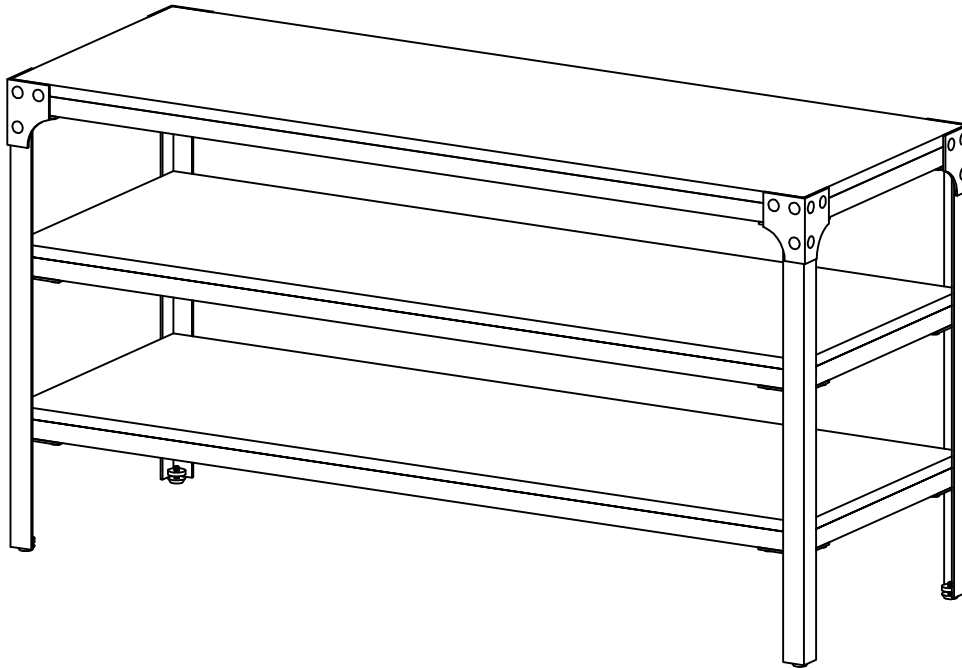
Step 7



- 1). Please tighten all Bolts B1 at this point.
- 2). Screw Shelf Panels A5 to Shelf Frames A4 using Screws B3.
- 3). Then screw Top Panel A3 to Top Frame A2 using Screws B3 as shown above.

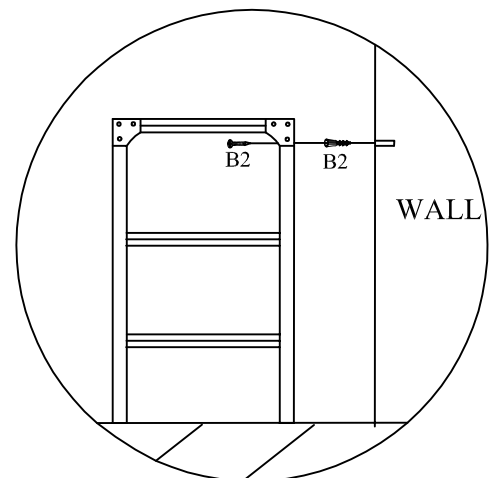
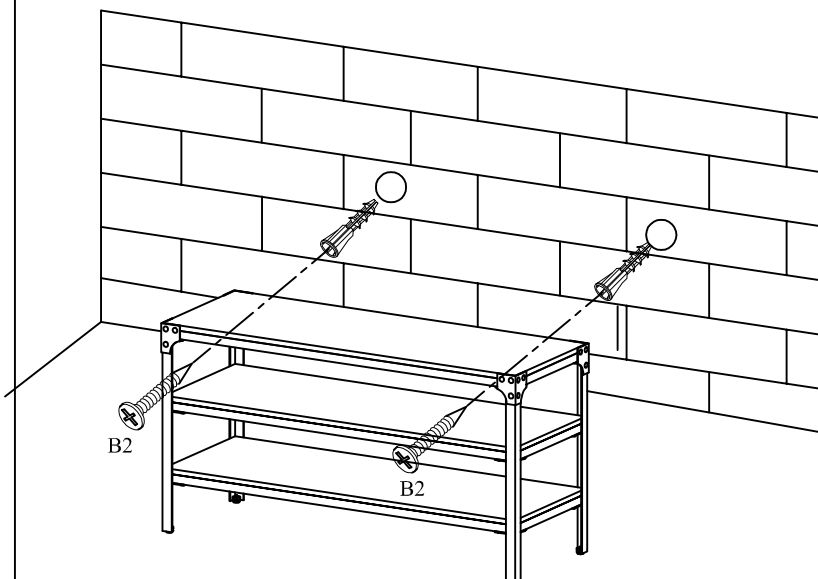
Step 8

B4  1PC



Step 9

B2  2SETS



For your safety, please Screw the bookcase to the wall using Anchor with Screws B2.