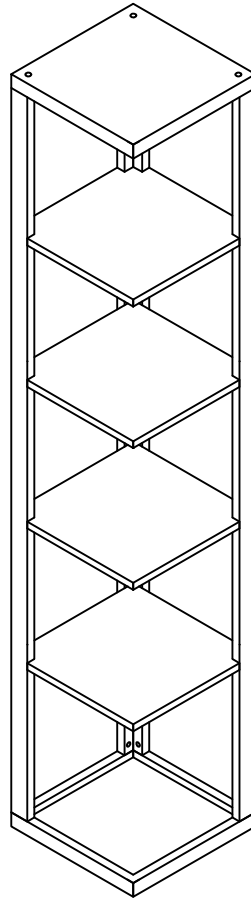


ASSEMBLY INSTRUCTIONS

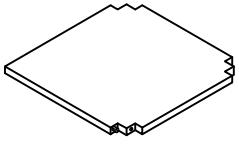
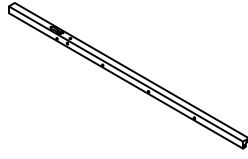
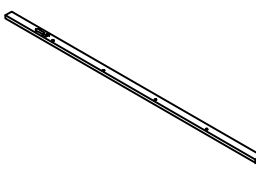
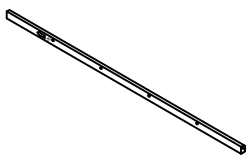
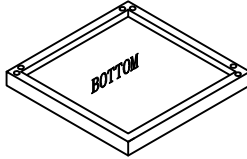
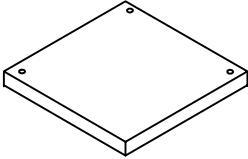
Style # BK08 Corner Bookcase





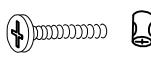
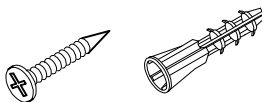
NOTE TO CUSTOMERS:

- For ease and speed of assembly we recommend that before you commence each step of the assembly that you identify all the parts required to complete that step.
- We recommend that where possible you allow sufficient space to assemble the item as close as possible to the place where it will be once assembled.
- For the protection of your furniture we recommend that the product is placed on protected surfaces during assembly to prevent any damage.
- During assembly do not over tighten, as this may damage the product.
- Please ensure you retain all the product packaging until the item completely assembled.
- Please periodically check all fittings and re-tighten as necessary.
- Please never allow any liquids to remain on your furniture as absorption can cause the wood to warp or finish to de-laminate.
- It is recommended that this item should be assembled by two adults.

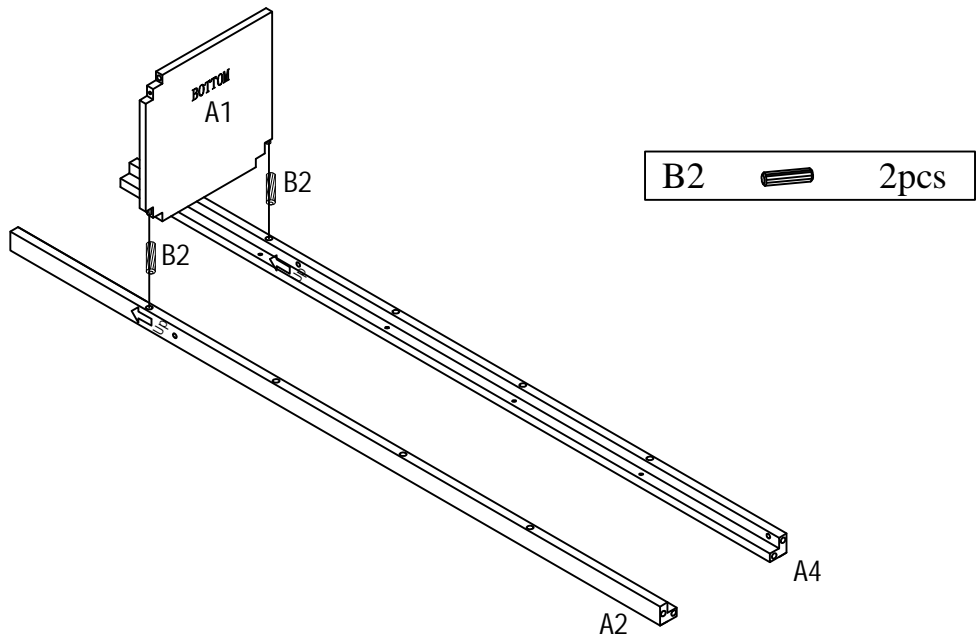
Part List

<p>A1. Quantity of 4</p>  <p>Shelf</p>	<p>A2. Quantity of 1</p>  <p>Corner Leg</p>	<p>A3. Quantity of 1</p>  <p>Left Leg</p>	<p>A4. Quantity of 1</p>  <p>Right Leg</p>
<p>A5. Quantity of 1</p>  <p>Top Panel</p>	<p>A6. Quantity of 1</p>  <p>Bottom Panel</p>		

Hardware List

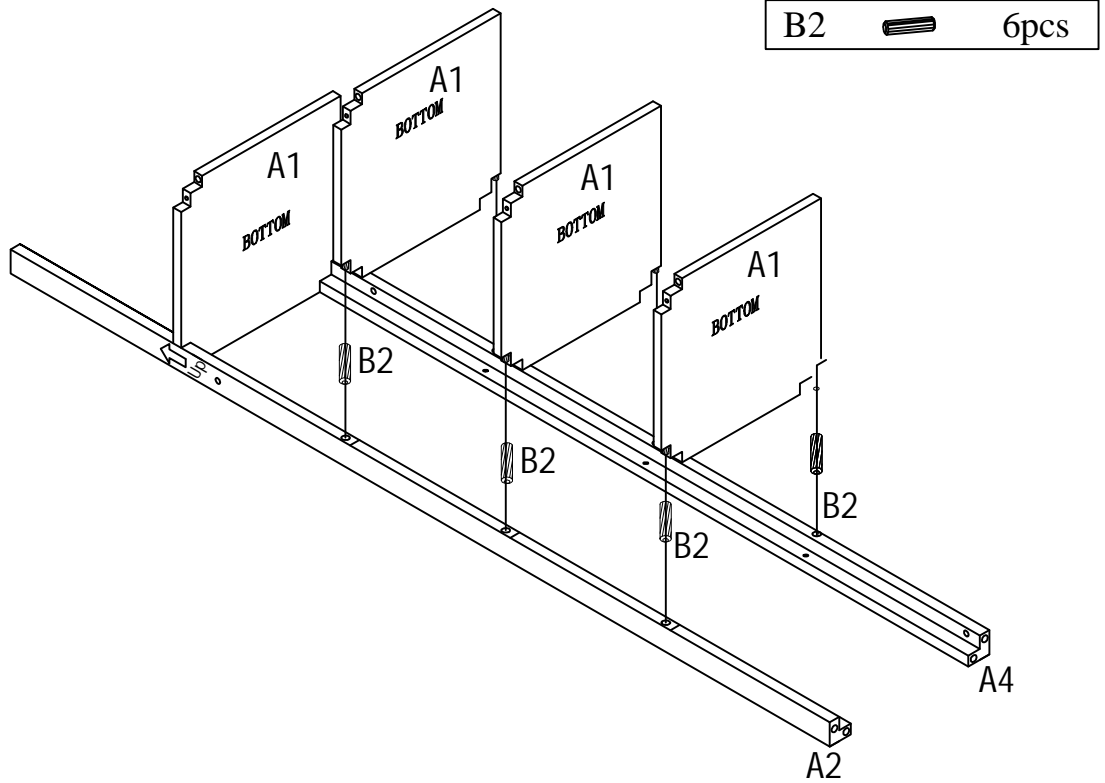
<p>B1. Quantity of 12</p>  <p>Screw</p>	<p>B2. Quantity of 18</p>  <p>Wood Dowel</p>	<p>B3. Quantity of 6</p>  <p>Bolt and nut</p>	<p>B4. Quantity of 2</p>  <p>Plastic anchor with Screw</p>
--	---	--	--

STEP 1



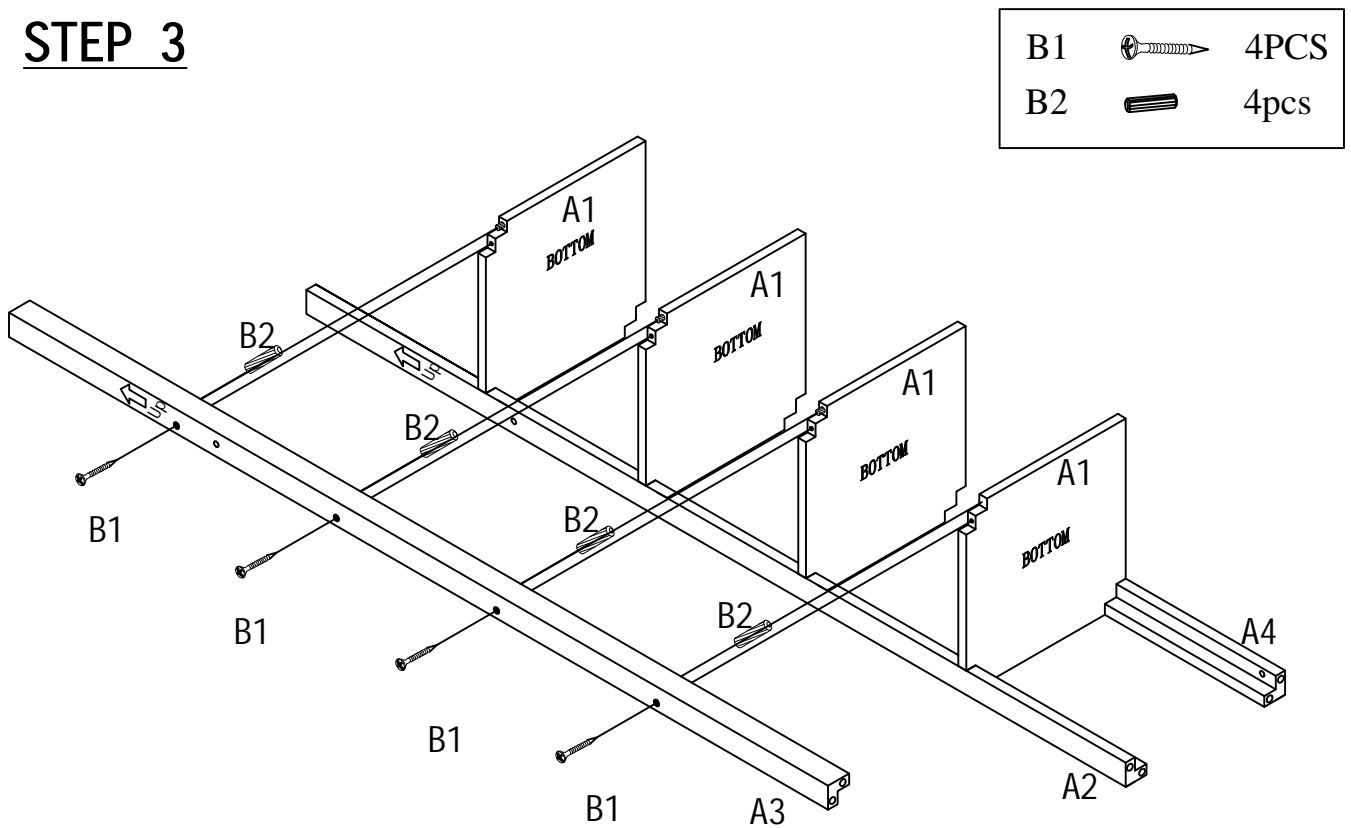
Assemble Legs A2 & A4 to Shelf A1 using Wood Dowels B2 .

STEP 2



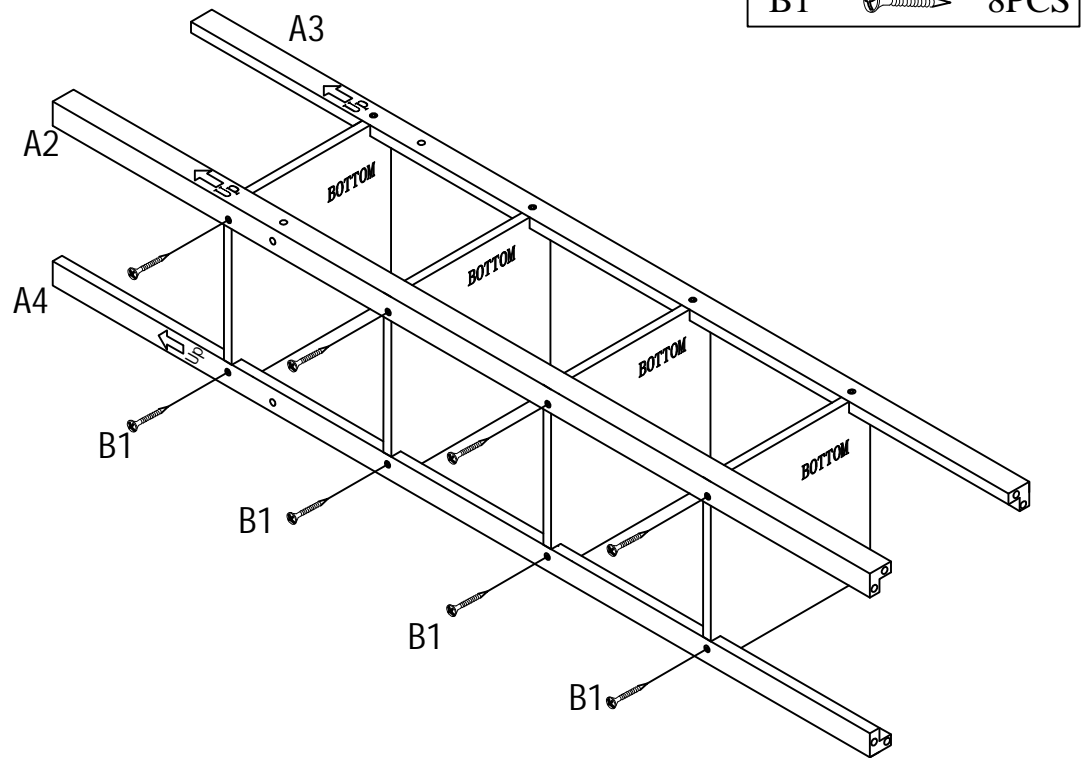
Attach the rest of Shelves A1 to Legs A2 & A4 using Wood Dowels B2 as shown above.

STEP 3



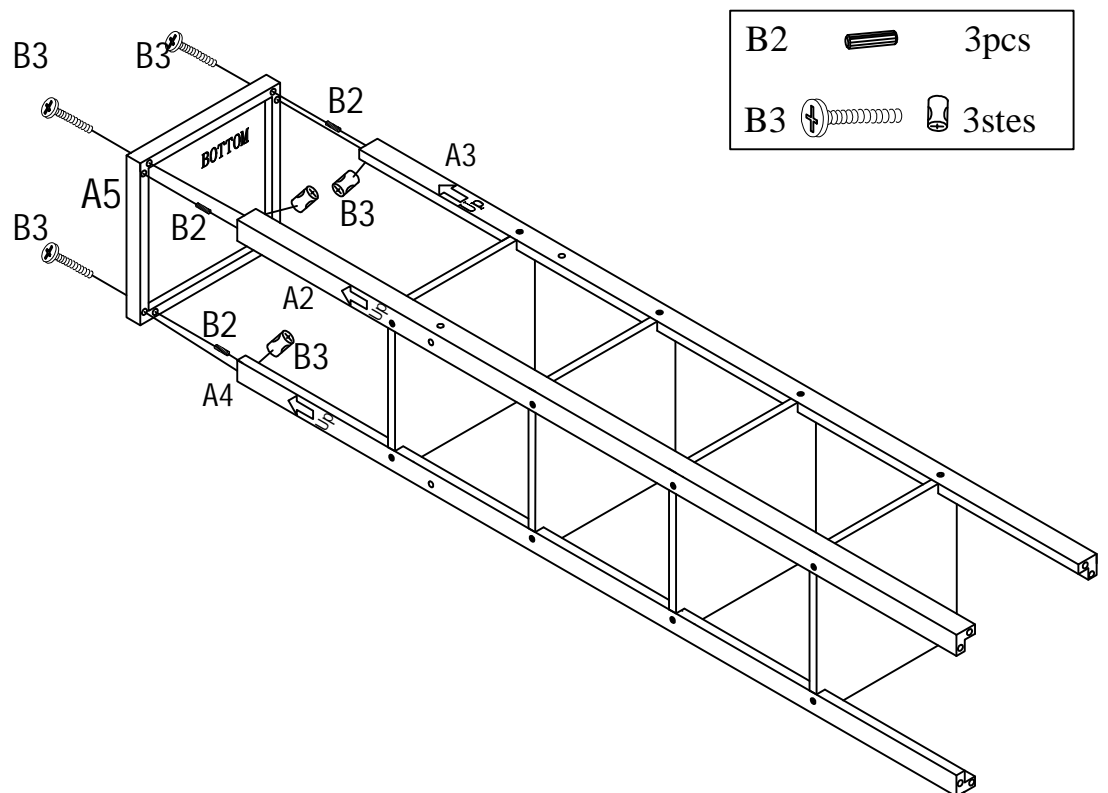
Assemble Left Leg A3 to Shelves A1 using Wood Dowels B2 and Screws B1 as shown above.
Note: Please make sure Shelves A1 exactly inserted into the grooves on Left Leg A3.

STEP 4



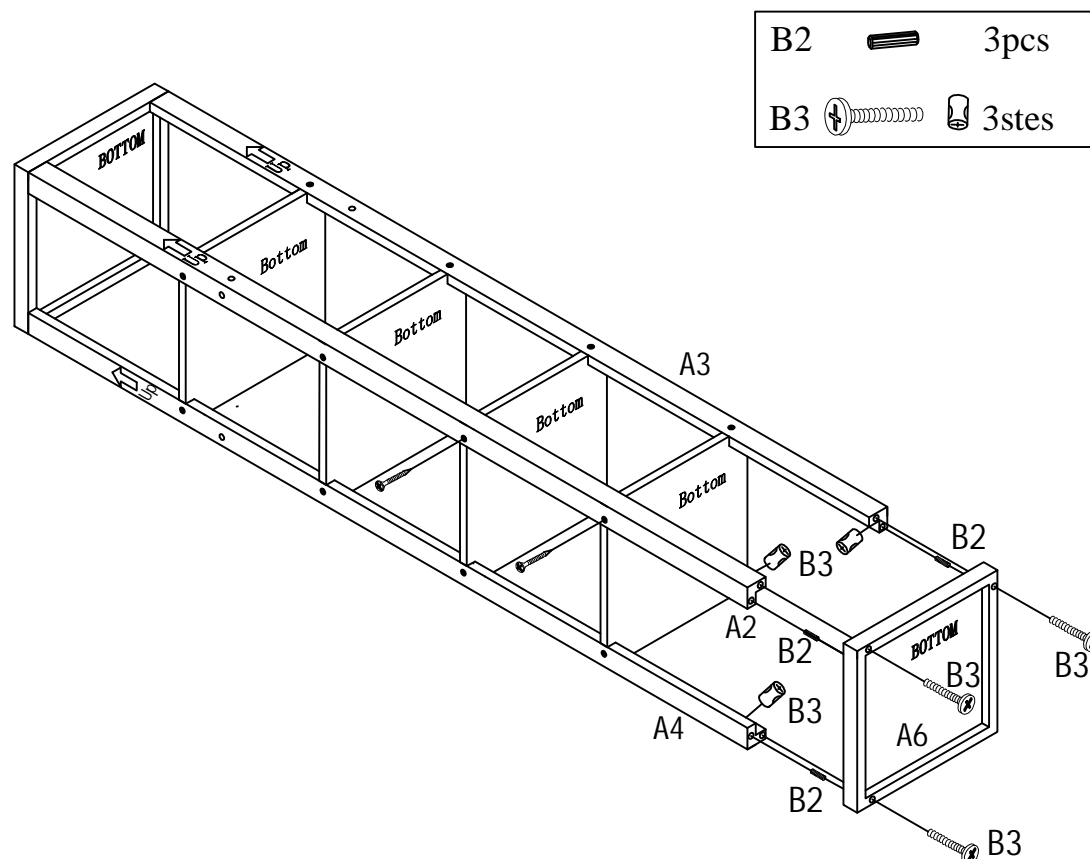
Tighten Legs A2 & A4 to Shelves A1 using Screws B1 as shown above.
NOTE: Please do not over tighten or keep turning the wooden screws.

STEP 5



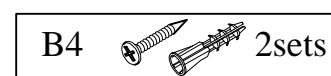
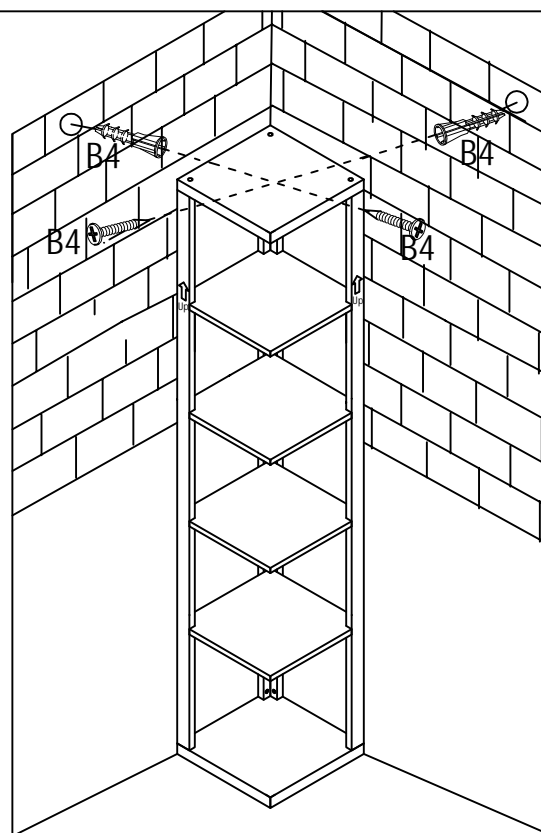
Assemble Legs A2 & A3 & A4 to Top Panel A5 using Bolts with nut B3 & Wood Dowels B2 as shown above.

STEP 6



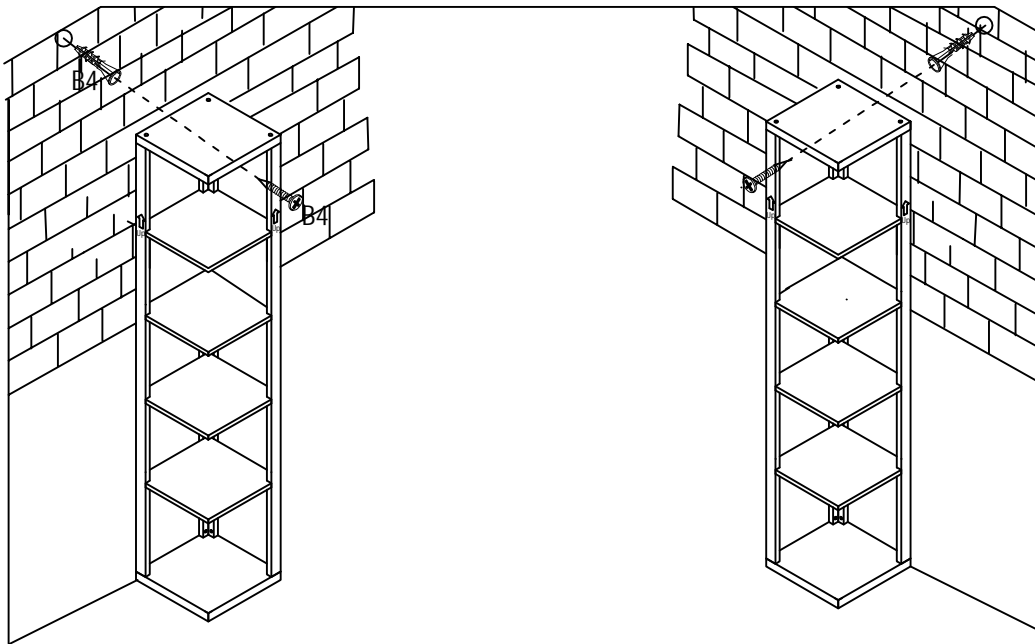
Assemble Legs A2 & A3 & A4 to Bottom Panel A6 using Bolts with nut B3 and Wood Dowels B2 as shown above.

STEP 7



For your safety, please fix the corner bookcase to the wall with anchors and screws B4.

STEP 8



Also you can fix the corner bookcase to the wall in another way, only fix left side or right side of bookcase to the wall with anchors and screws.

APPENDIX: Dimension of Hardwares in this AI.

<p>B1.</p> <p>Dia: 5/16" 1 3/16" L</p> <p>Screw</p>	<p>B3.</p> <p>2" L Dia: 1/4" 1/4" Dia</p> <p>Bolt and Nut</p>
<p>B2.</p> <p>1 3/16" L Dia: 1/4"</p> <p>Wood Dowel</p>	<p>B3.</p> <p>1 1/2" L 1 3/16" L Dia: 5/16"</p> <p>Anchor and Screw</p>