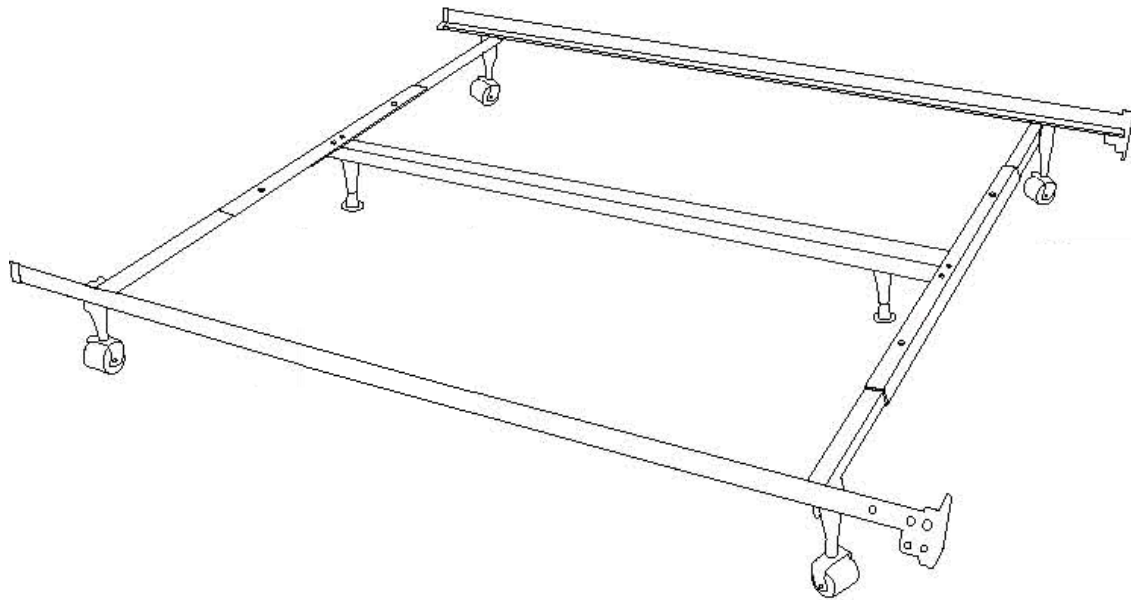


Assembly Instruction

MODEL#9123



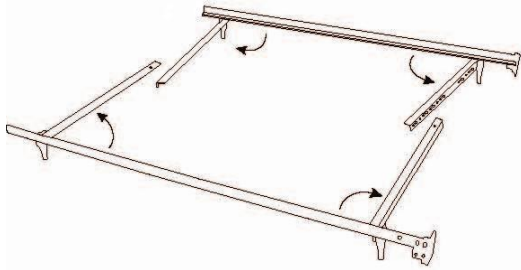
Important Notice:

This item designed to universal for TWIN/FULL/QUEEN three size,
Please follow the steps to get your desired size; Make sure the
Center Support Bar are correctly assembled see Details in **Step 3**

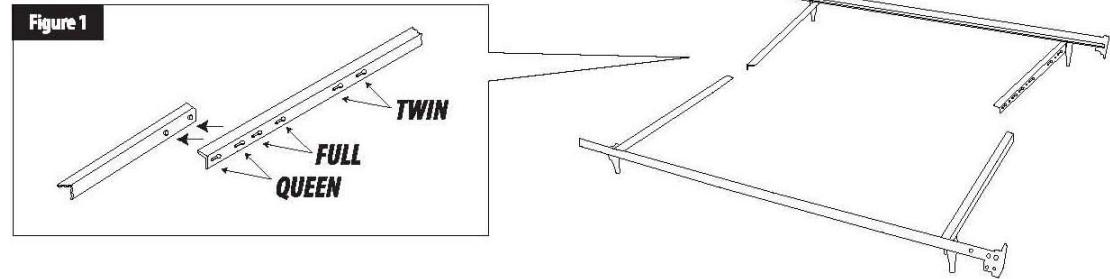
Parts List

Parts ID	Image	Description	Qty
A		Side rail with cross bar (left)	1
B		Side rail with cross bar (right)	1
C		Cross Arm	2
D		Plastic Corner Pad	2
E		Wheel Without Brake	2
F		Wheel With Brake	2
G		Center Support Bar	1
H		Glide	2
Hardware Parts			
Parts ID	Image	Description	Qty
1		Bolt 25mm	2
2		Washers	2
3		Nut	2
4		Wrench	1
5		Allen Key	1

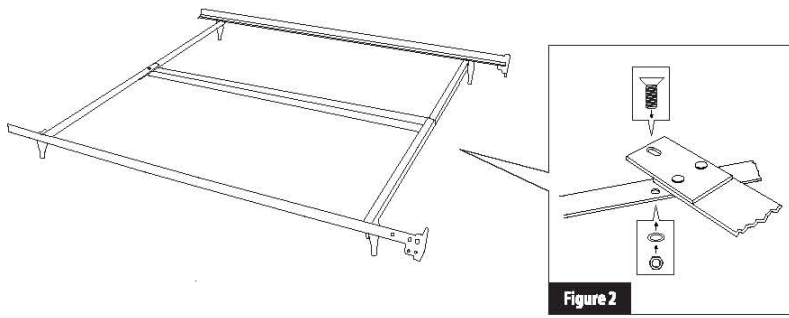
Step 1 Swing out cross arms to 90 degrees.



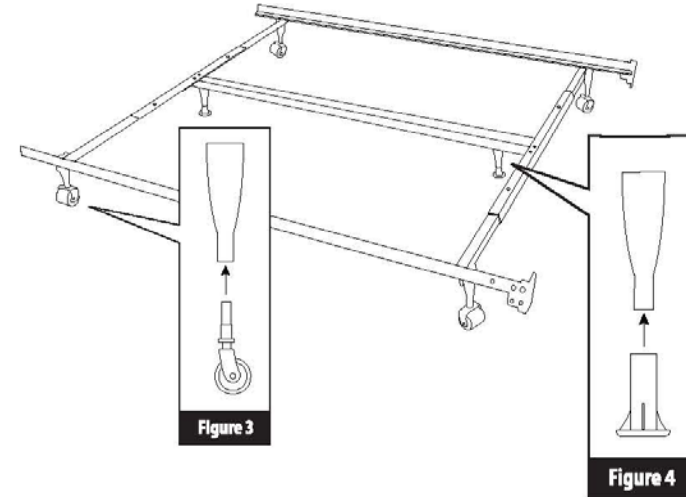
Step 2 Place rivets of the cross arms into appropriate key holes then slide to lock as shown in Figure 1. The extension bar is not required.



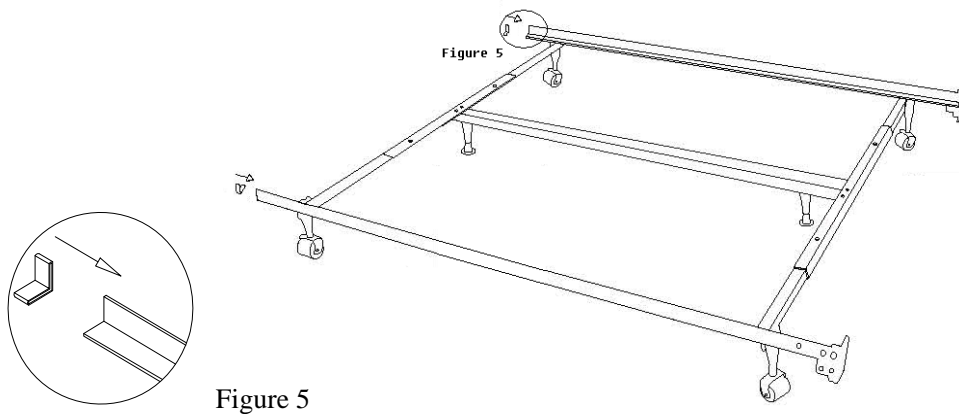
Step 3 Attach center support bar on top of cross arms as shown in Figure 2. Make sure the bar is centered and that bolts are securely fastened at each end.



Step 4 Install wheels and glide as shown in Figures 3 and 4.



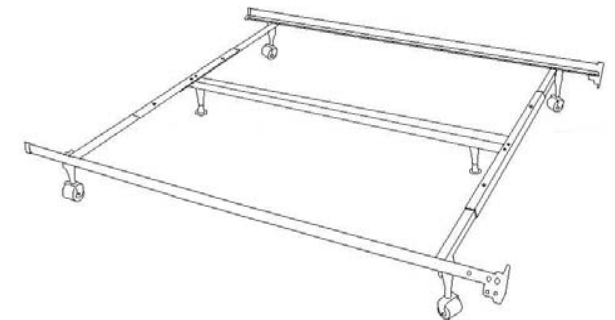
Step 5 Put the plastic corner pad to the end of the side rails shown in figure 5



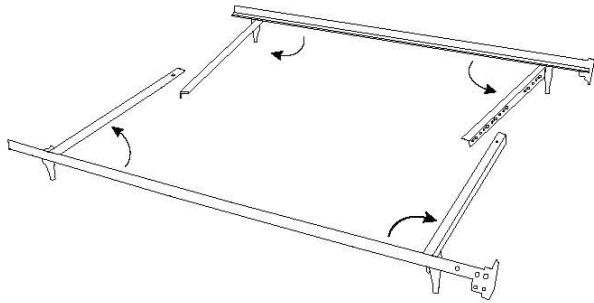
Finish

Important Warnings:

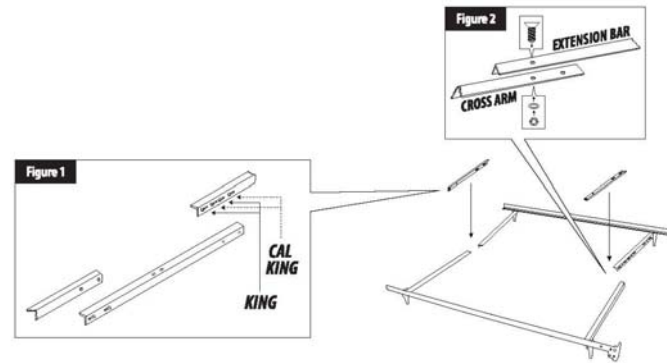
Always use the center legs to
Increase the weight capacity
for the whole set , when moving
the bed, please make sure the center
support legs are not bent by the flooring



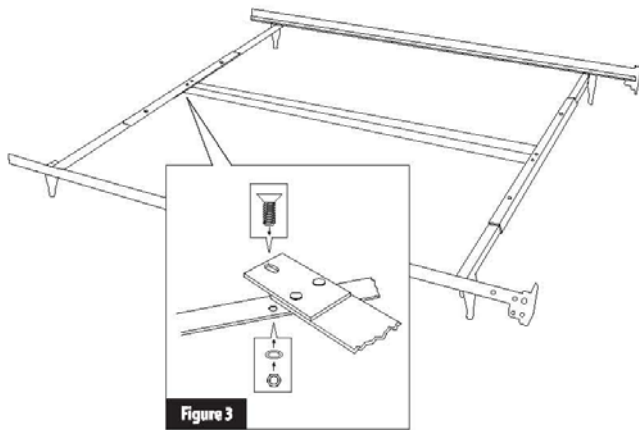
Step 1 Swing out cross arms to 90 degrees.



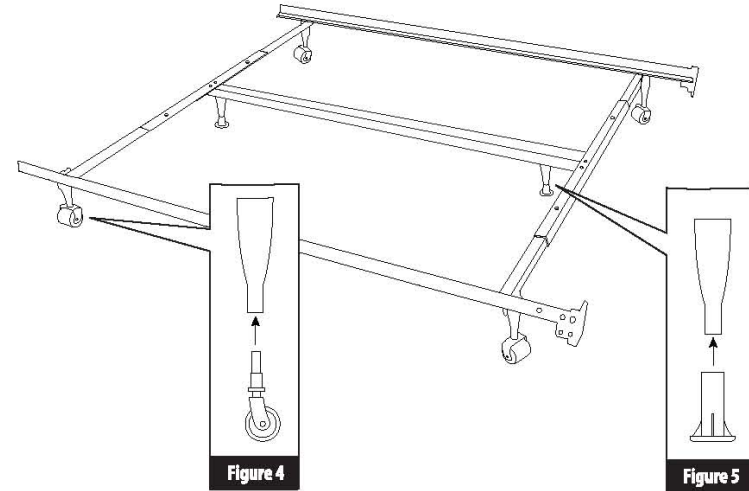
Step 2 Place rivets of the cross arms and extension bars into appropriate key holes then slide to lock as shown in Figure 1. Secure extension bars with the four bolts provided as shown in Figure 2.



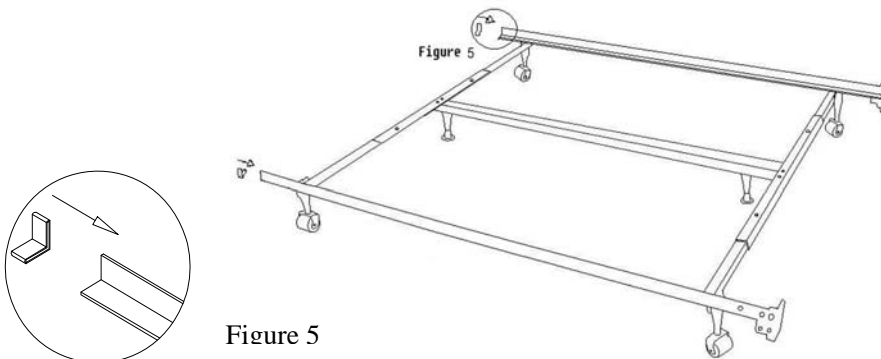
Step 3 Attach center support bar under extension bars as shown in Figure 3. Make sure the bar is centered and that bolts are securely fastened at each end.



Step 4 Install wheels and glide as shown in Figures 4 and 5.



Step 5 Put the plastic corner pad to the end of the side rails shown in Figure 5



Finish

Important Warnings:

Always use the center legs to
Increase the weight capacity
for the whole set , when moving
the bed, please make sure the center
support legs are not bent by the flooring

