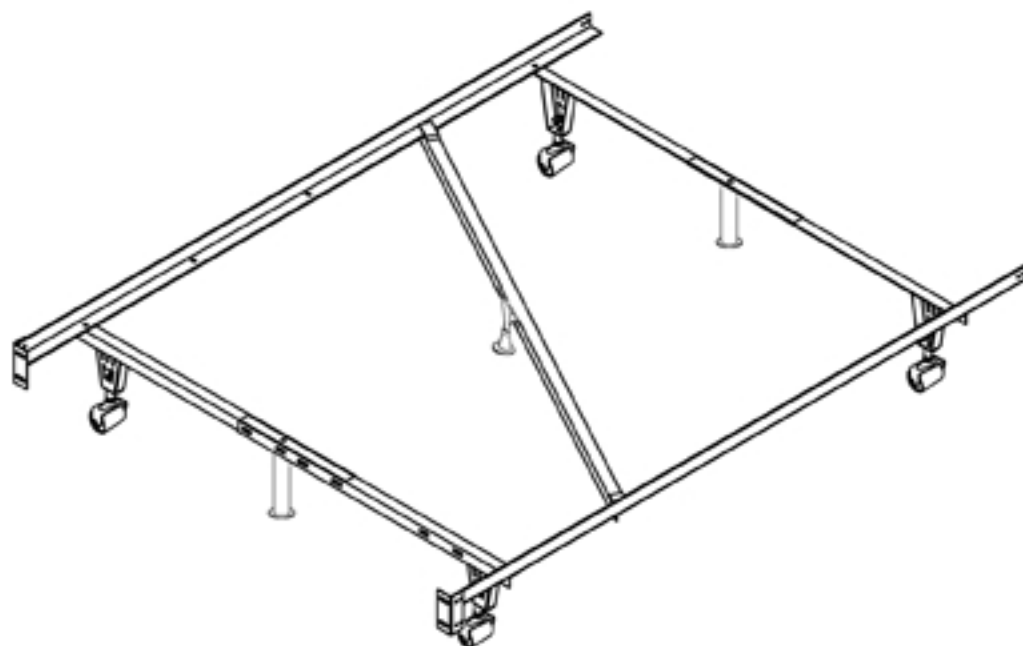


Assembly Instruction

MODEL # B9004

Parts List



Important Notice:

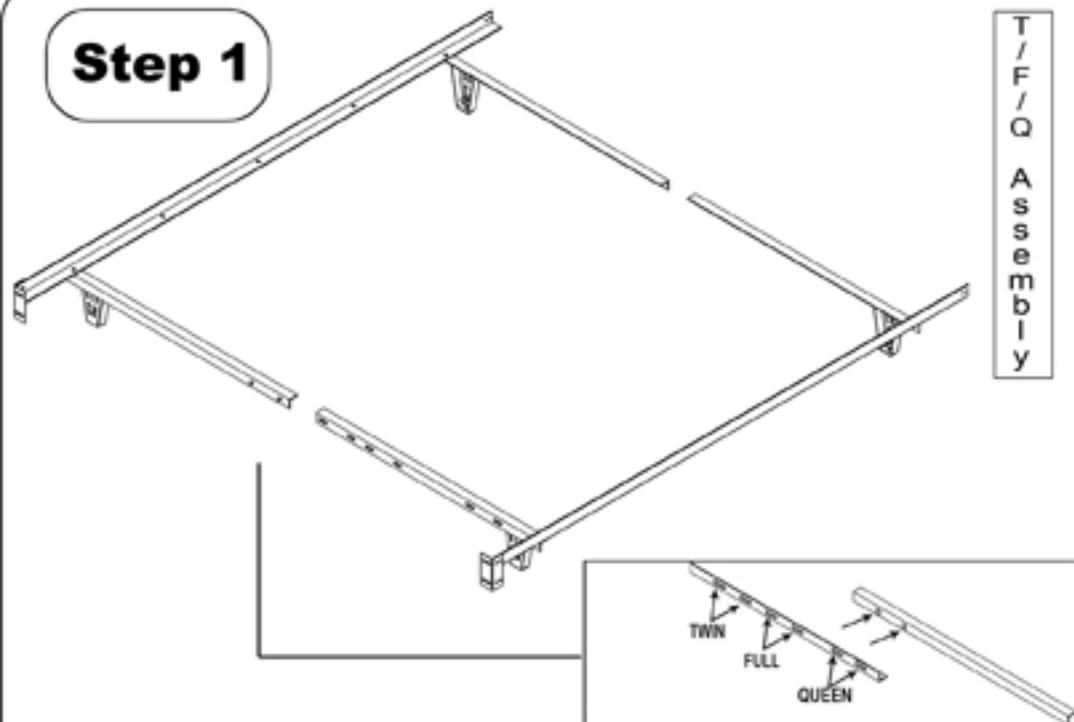
- 1, This item designed for TWIN / FULL / QUEEN three size,
Please follow the steps to get your desired size;
- 2, When assembling this unit, it is recommended that 2 or more adults are involved;
- 3, This package contains small items and plastic bags that should be kept away from children;
- 4, Use soft cloth for cleaning;
- 5, Do not tighten any single bolts before the item is fully assembled.

Parts ID	Image	Description	Qty
A		Side rail with cross bar (left)	1
B		Side rail with cross bar (right)	1
C		Center Support Leg	2
D		Plastic Corner Pad	2
E		Wheel Without Brake	2
F		Wheel With Brake	2
G		Center Support Bar	1
H		Glide	1

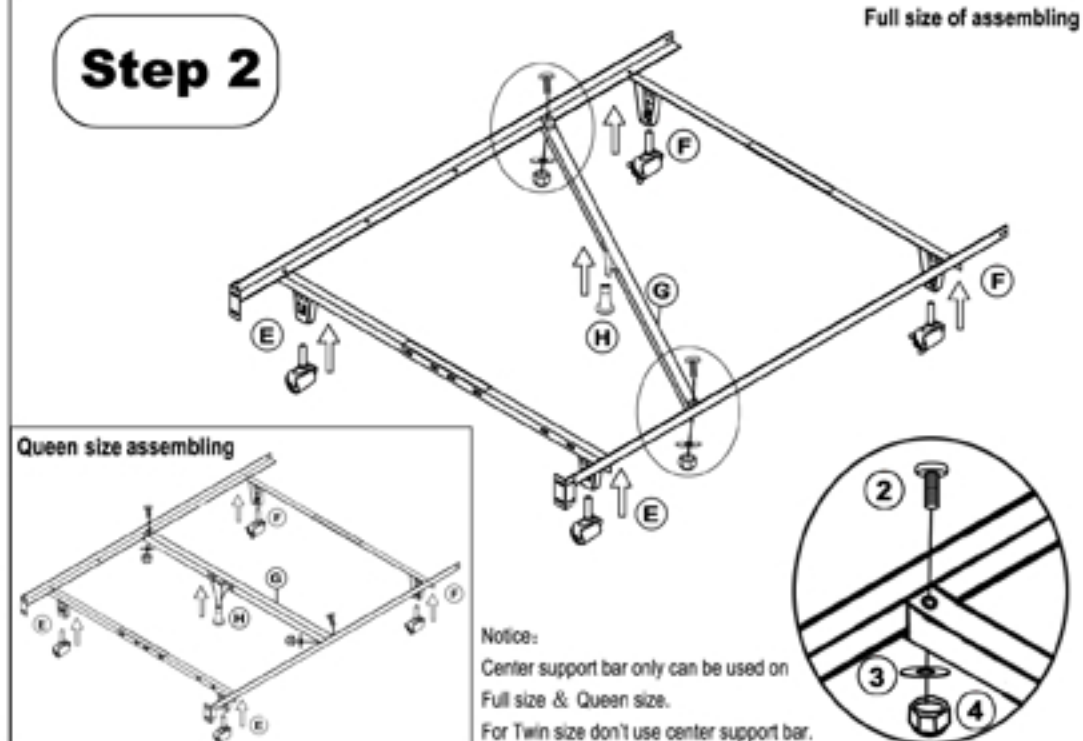
Hardware Parts

1		Bolt 1/2"	2
2		Bolt 1"	2
3		Washer	2
4		Nut	2
5		Wrench	1
6		Allen Key	1

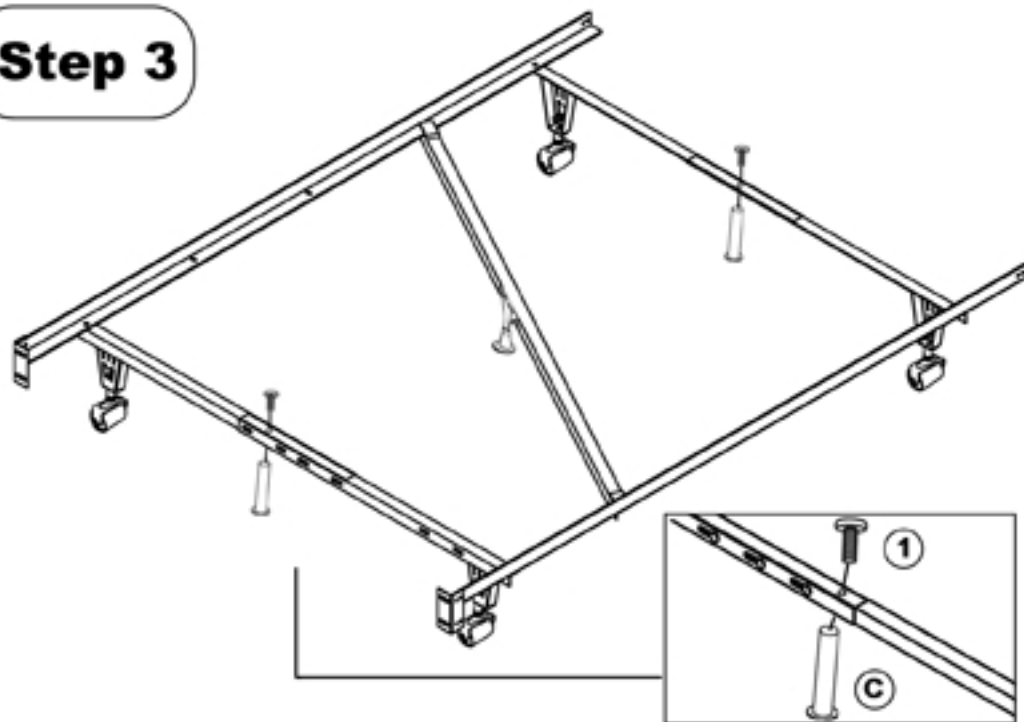
Step 1



Step 2



Step 3



Finish

