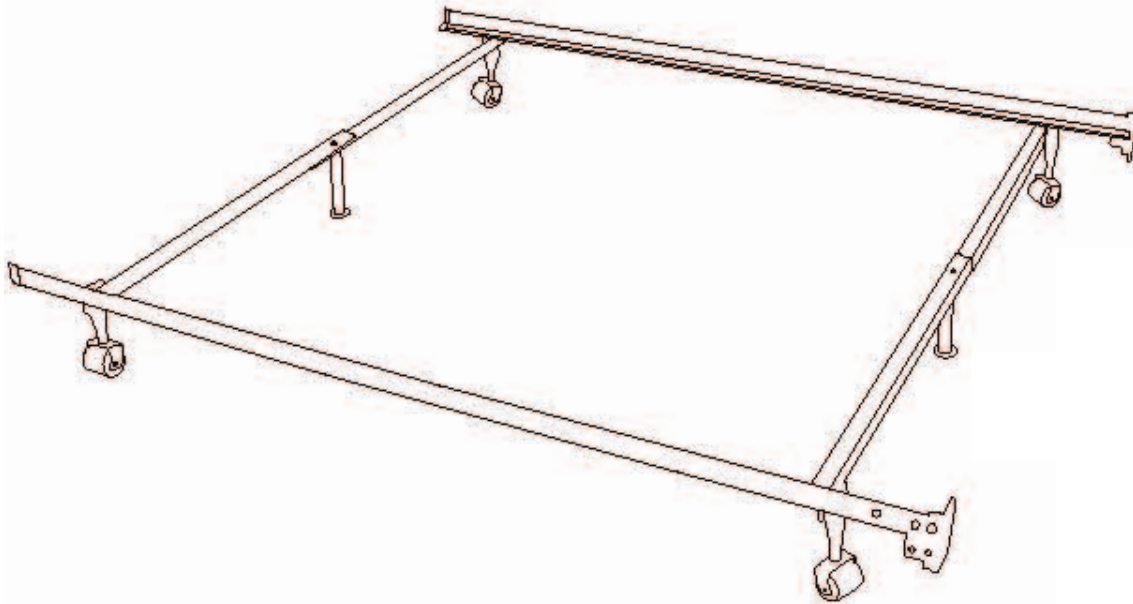


# Assembly Instruction

MODEL#:9001



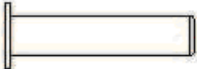

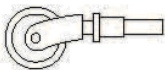
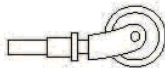
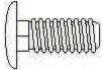


## Important Notice:

This item designed to universal for TWIN/FULL/QUEEN three size.

Please follow the steps to get your desired size;

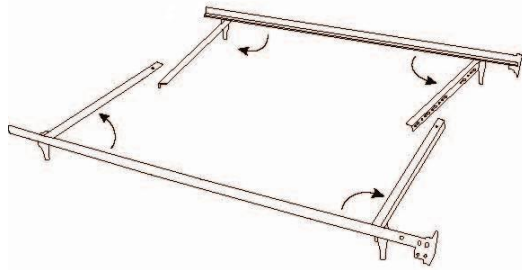
## Parts List

Parts ID	Image	Description	Qty
A		Side rail with cross bar(left)	1
B		Side rail with cross bar(right)	1
C		Center Support Leg	2
D		Plastic Corner Pad	2
E		Wheels Without Brake	2
F		Wheels With Brake	2
<b>Hardware Parts</b>			
Parts ID	Image	Description	Qty
1		Bolt 15mm	2

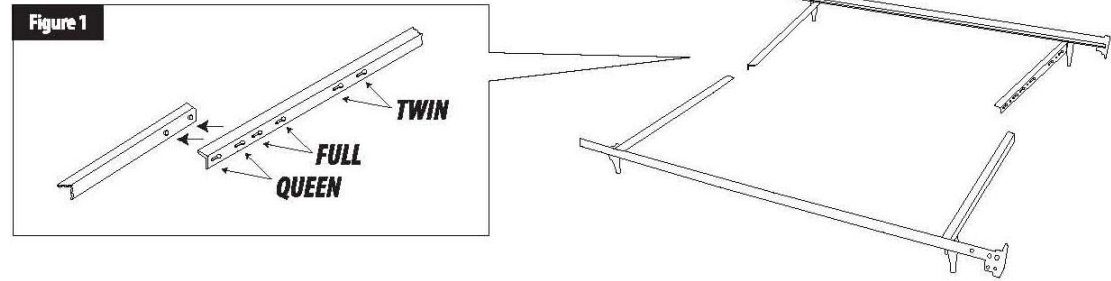
MODEL#:9001

TWIN/FULL/QUEEN ASSEMBLY

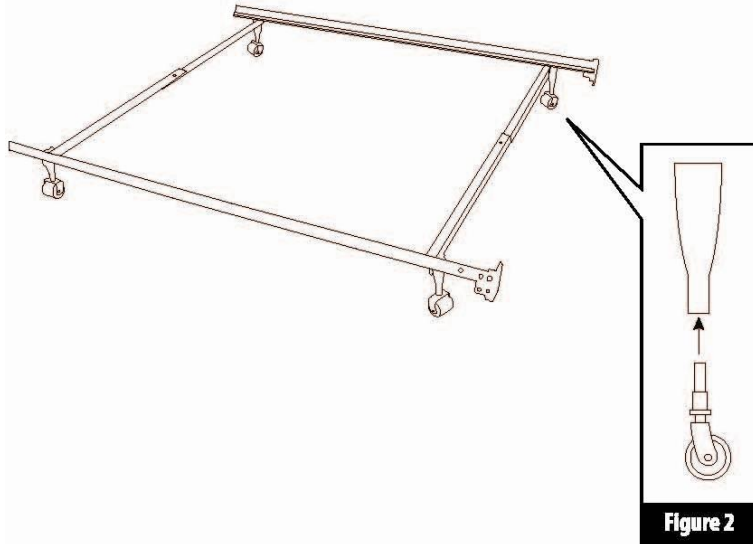
Step 1 Swing out cross arms to 90 degrees.



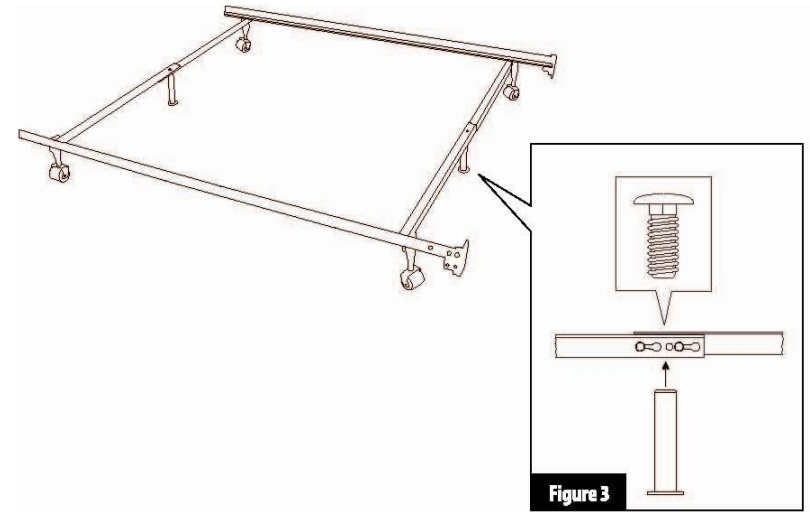
Step 2 Place rivets of the cross arms into appropriate key holes then slide to lock as shown in Figure 1.



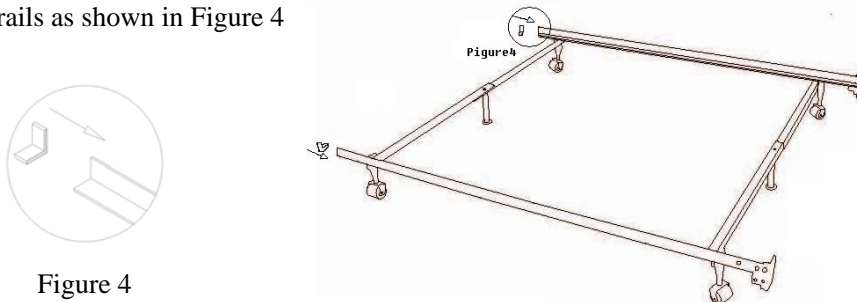
Step 3 Install wheels as shown in Figure 2.



Step 4 Place support legs under holes that align on center of cross arms. Screw in as shown in Figure 3.



Step 5 Put the plastic corner pad to the end of the side rails as shown in Figure 4



Finish

**Important Warnings:**

Always use the center legs to increase the weight capacity for the whole set, when moving the bed, please make sure the center support legs are not bent by the flooring

