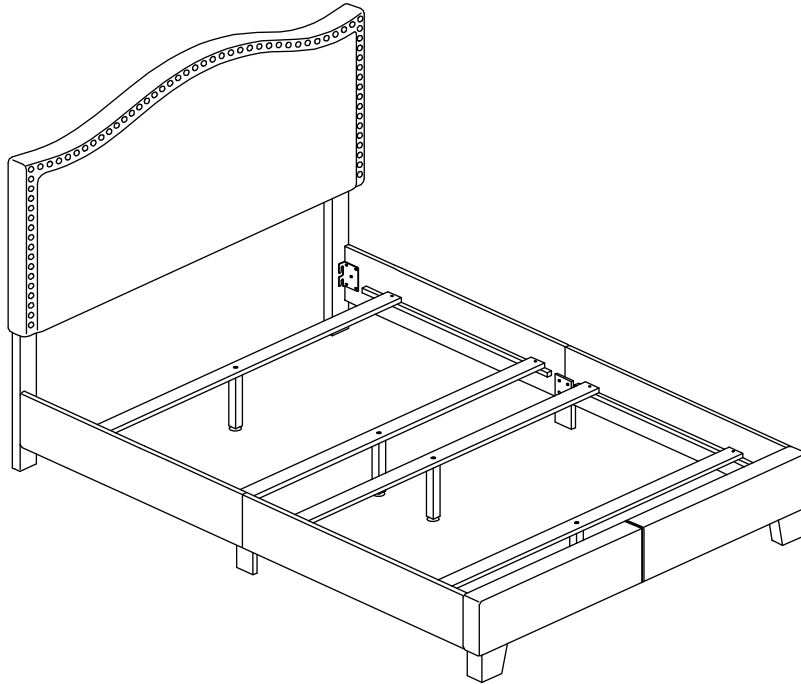


ASSEMBLY INSTRUCTIONS

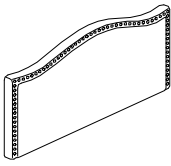
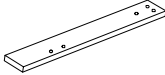
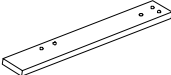
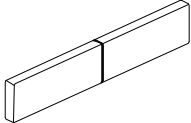
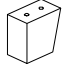
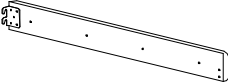
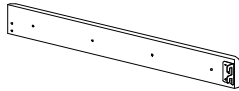

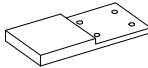
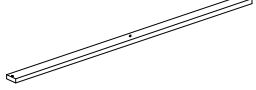

MODEL # B8025F FULL BED



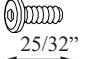
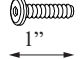
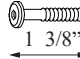
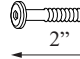
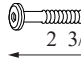



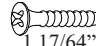


NOTE TO CUSTOMERS:

- For ease and speed of assembly we recommend that before you commence each step of the assembly that you identify all the parts required to complete that step.
- We recommend that where possible you allow sufficient space to assemble the item as close as possible to the place where it will be once assembled.
- For the protection of your furniture we recommend that the product is placed on a dry, soft, smooth and clean surfaces during assembly to prevent any damage. Avoid damp and direct sunlight.
- During assembly do not over tighten the screws or bolts, as this may damage the product.
- Please ensure you retain all the product packaging until the item is completely assembled.
- Periodically check all fitting and re-tighten as necessary.
- Never allow any liquids to remain on your furniture as absorption can cause the wood to warp or finish to de-laminate.
- It is recommended that this item should be assembled by two adults.

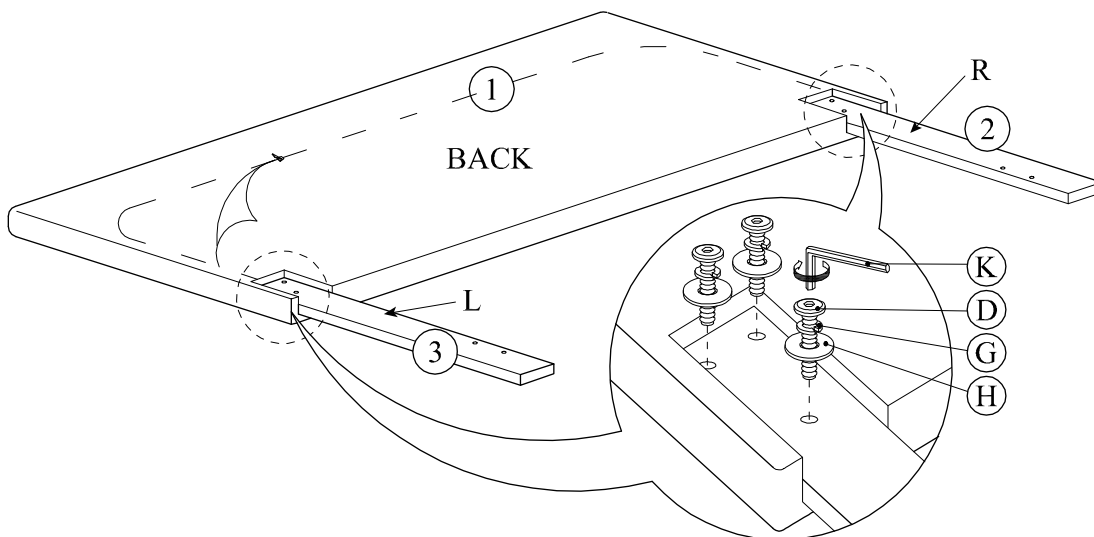
Parts Identification

<p>① Quantity: 1</p>  <p>Headboard</p>	<p>② Quantity: 1pc</p>  <p>Headboard Leg- Right</p>	<p>③ Quantity: 1pc</p>  <p>Headboard Leg- Left</p>	<p>④ Quantity: 1pc</p>  <p>Footboard</p>	<p>⑤ Quantity: 2pcs</p>  <p>Footboard Leg</p>
<p>⑥ Quantity: 2pcs</p>  <p>Side Rails</p>	<p>⑦ Quantity: 2pcs</p>  <p>Side Rails</p>	<p>⑧ Quantity: 4pcs</p>  <p>Slat Support Bar</p>	<p>⑨ Quantity: 2pcs</p>  <p>Side Rails Supporter</p>	<p>⑩ Quantity: 4pcs</p>  <p>Slats</p>
<p>⑪ Quantity: 4pcs</p>  <p>Support Legs</p>				

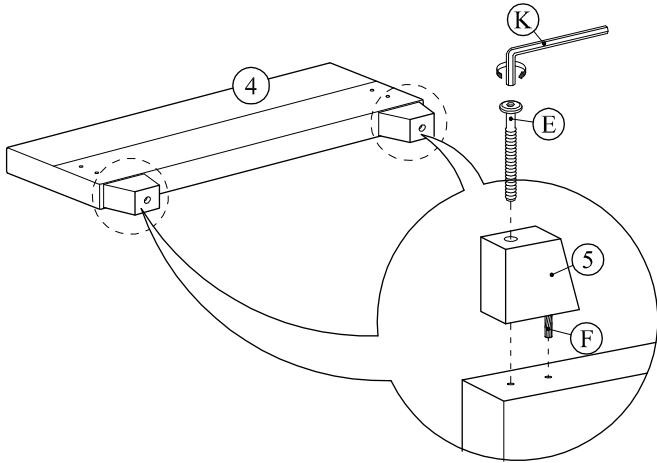
Hardware List

<p>Ⓐ JCBC Bolts M8 x 20mm  $\text{Ø } 5/16''$ $25/32''$ Quantity: 8 pcs</p>	<p>Ⓑ JCBC Bolts M6 x 25mm  $\text{Ø } 15/64''$ $1''$ Quantity: 8 pcs</p>	<p>Ⓒ JCBC Bolts M6 x 35mm  $\text{Ø } 15/64''$ $1 \text{ } 3/8''$ Quantity: 20 pcs</p>	<p>Ⓓ JCBC Bolts M6 x 50mm  $\text{Ø } 15/64''$ $2''$ Quantity: 6 pcs</p>	<p>Ⓔ JCBC Bolts M6 x 70mm  $\text{Ø } 15/64''$ $2 \text{ } 3/4''$ Quantity: 2 pcs</p>
<p>Ⓕ Wooden Dowel  Quantity: 2 pcs</p>	<p>Ⓖ Spring Washer  Quantity: 30 pcs</p>	<p>Ⓗ Flat Washer  Quantity: 30 pcs</p>	<p>Ⓘ Screw M4 x 32mm  $\text{Ø } 5/32''$ $1 \text{ } 17/64''$ Quantity: 8 pcs</p>	<p>Ⓙ L-Key M5  Quantity: 1 pc</p>
<p>Ⓚ L-Key M4  Quantity: 1 pc</p>				

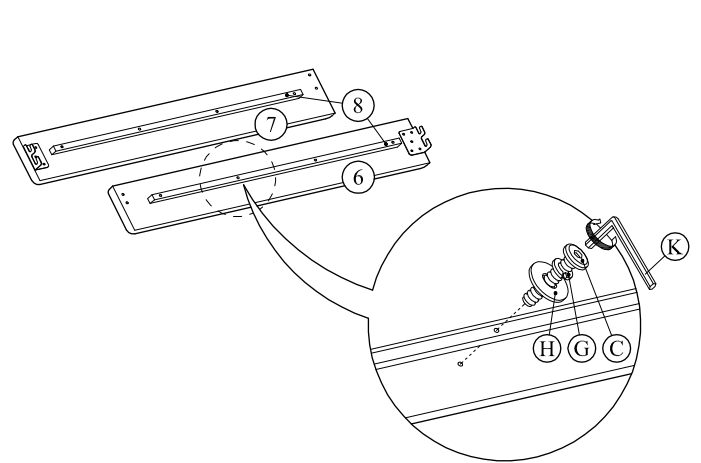
STEP 1



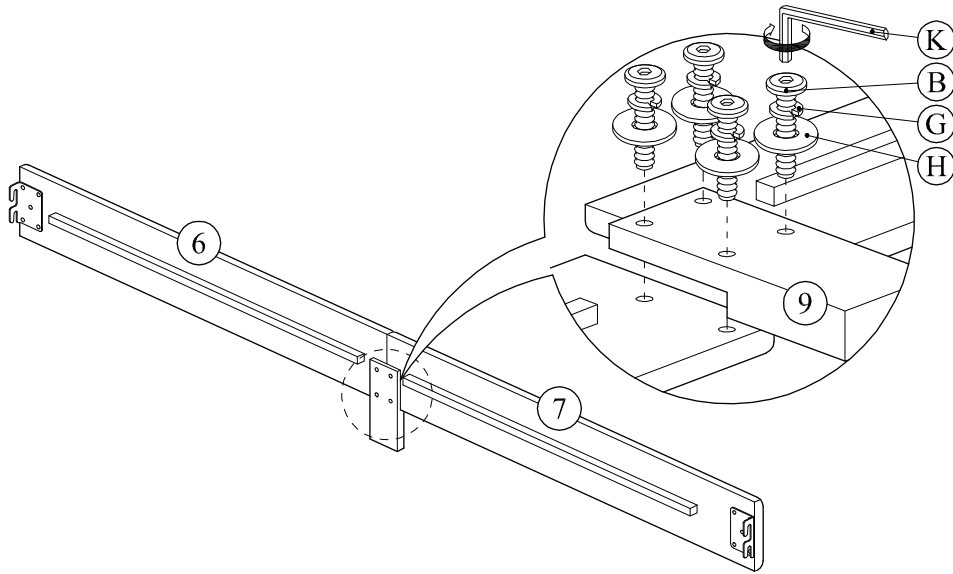
STEP 2



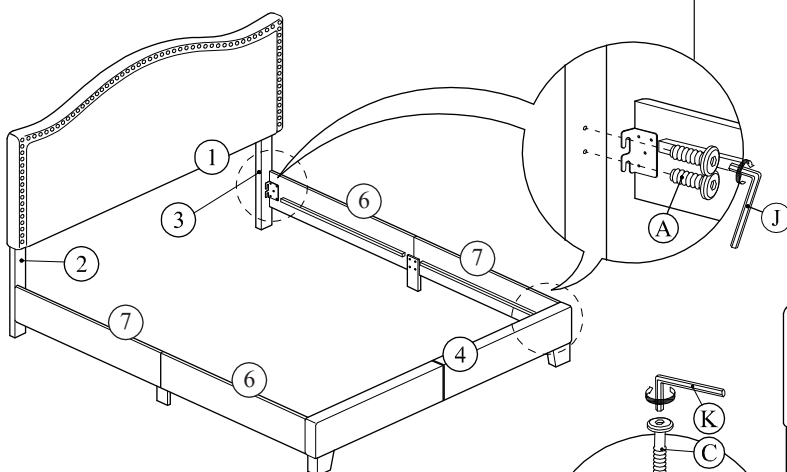
STEP 3



STEP 4



STEP 5



STEP 6

