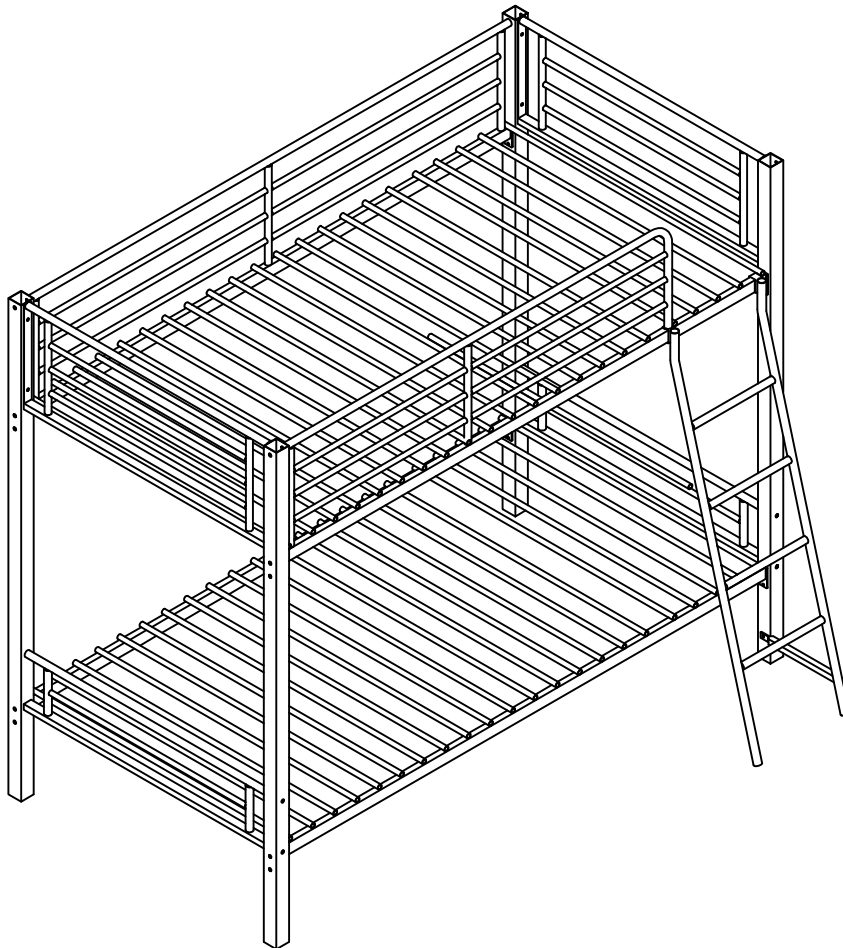


ASSEMBLY INSTRUCTIONS

Style # B7030 & B7031 Bunk Bed



NOTE TO CUSTOMERS:

- For ease and speed of assembly we recommend that before you commence each step of the assembly that you identify all the parts required to complete that step.
- We recommend that where possible you allow sufficient space to assemble the item as close as possible to the place where it will be once assembled.
- For the protection of your furniture we recommend that the product is placed on protected surfaces during assembly to prevent any damage.
- During assembly do not to over tighten, as this may damage the product.
- Please ensure you retain all the product packaging until the item completely assembled.
- Please periodically check all fittings and re-tighten as necessary.
- It is recommended that this item requires at least 3 person to assemble .
- Do not tighten the bolts and nuts until each part is in its assembled place.

ASSEMBLY INSTRUCTIONS :

PLEASE TAKE TIME TO READ ALL INSTRUCTIONS AND WARNING BEFORE BEGINNING ASSEMBLY!

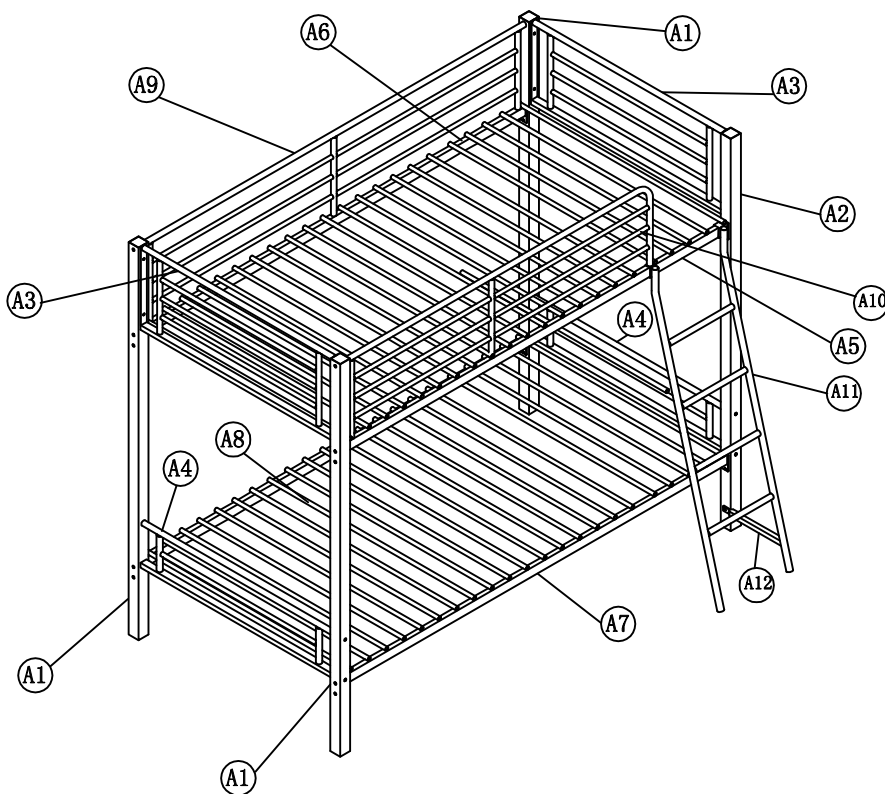
SAFETY WARNINGS:

- NEVER ALLOW CHILDREN UNDER SIX YEARS OF AGE ON THE UPPER BUNK.
- ALWAYS USE GUARDRAILS ON BOTH SIDES OF UPPER BUNK.
- PROHIBIT MORE THAN ONE PERSON ON UPPER BUNK.
- PROHIBIT HORSEPLAY ON OR UNDER BEDS.
- USE LADDER FOR ENTERING OR LEAVING UPPER BUNK.
- ALWAYS USE THE RECOMMENDED SIZE MATTRESS OR MATTRESS SUPPORT, OR BOTH, TO HELP PREVENT THE LIKELIHOOD OF ENTRAPMENT.
- ENSURE THICKNESS OF MATTRESS DOES NOT EXCEED 6" AND MATTRESS IS AT LEAST 5" BELOW UPPER EDGE OF GUARDRAILS.
- STRANGULATION HAZARD- NEVER ATTACH OR HANG ITEMS TO ANY PART OF THE BUNK BED THAT ARE NOT DESIGNED FOR USE WITH THE BED; FOR EXAMPLE, BUT NOT LIMITED TO , HOOKS,BELTS AND JUMP ROPES.
- KEEP THESE INSTRUCTIONS FOR FUTURE REFERENCE.


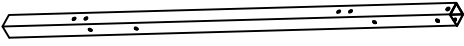
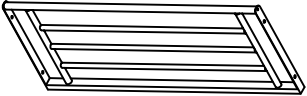


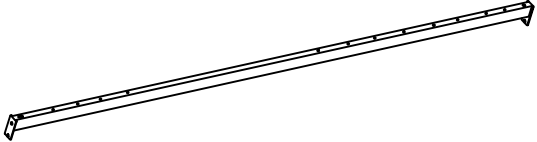
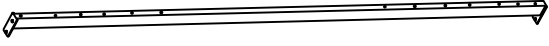
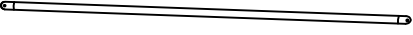
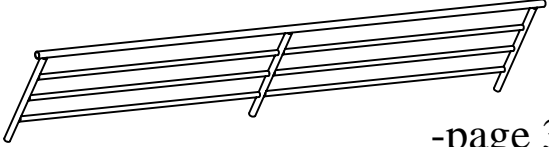
SIZE OF MATTRESS:

THE ONLY ACCEPTABLE SIZE MATTRESS TO BE USED WITH THIS BED IS AS FOLLOWS:

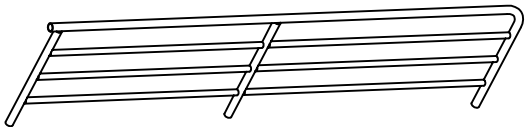
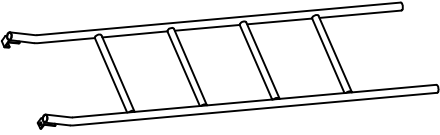
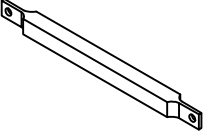
- THE MATTRESS MUST BE BETWEEN 37 1/2"(953mm) OR 38 1/2"(978mm) WIDE.
- THE MATTRESS MUST BE BETWEEN 74"(1880mm) OR 75"(1905mm) LONG.
- THE MATTRESS PLUS FOUNDATION MUST BE NO THICKER THAN 7"(178mm).










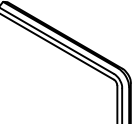
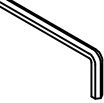

Furniture Part List

Item	Drawing	Description	Qty
A1		Leg	3
A2		Leg	1
A3		Upper Head Board	2
A4		Bottom Head Board	2
A5		Upper Rail(Front)	1
A6		Upper Rail (Back)	1
A7		Lower Rail	2
A8		Bed Slats	44
A9		Guardrail (Back)	1




Furniture Part List

Item	Drawing	Description	Qty
A10		Guardrail(Front)	1
A11		Ladder	1
A12		Connect tube for ladder	1

Hardware List

B1		Bolt($\frac{5}{16}$ "x2.4")	16
B2		Bolt($\frac{1}{4}$ "x $\frac{5}{8}$ ")	11
B3		Bolt($\frac{1}{4}$ "x2.4")	17
B4		Washer(ϕ 0.63")	28
B5		Washer(ϕ $\frac{3}{4}$ ")	16
B6		Nut(ϕ $\frac{5}{16}$ "	8
B7		Screw($\frac{5}{8}$ ")	88
		Allen Wrench(5mm)	1
		Allen Wrench(4mm)	1
		Open Spanner	1

Assembly Instruction's

Item	Drawing	Qty
B2		4
B3		4
B4		8

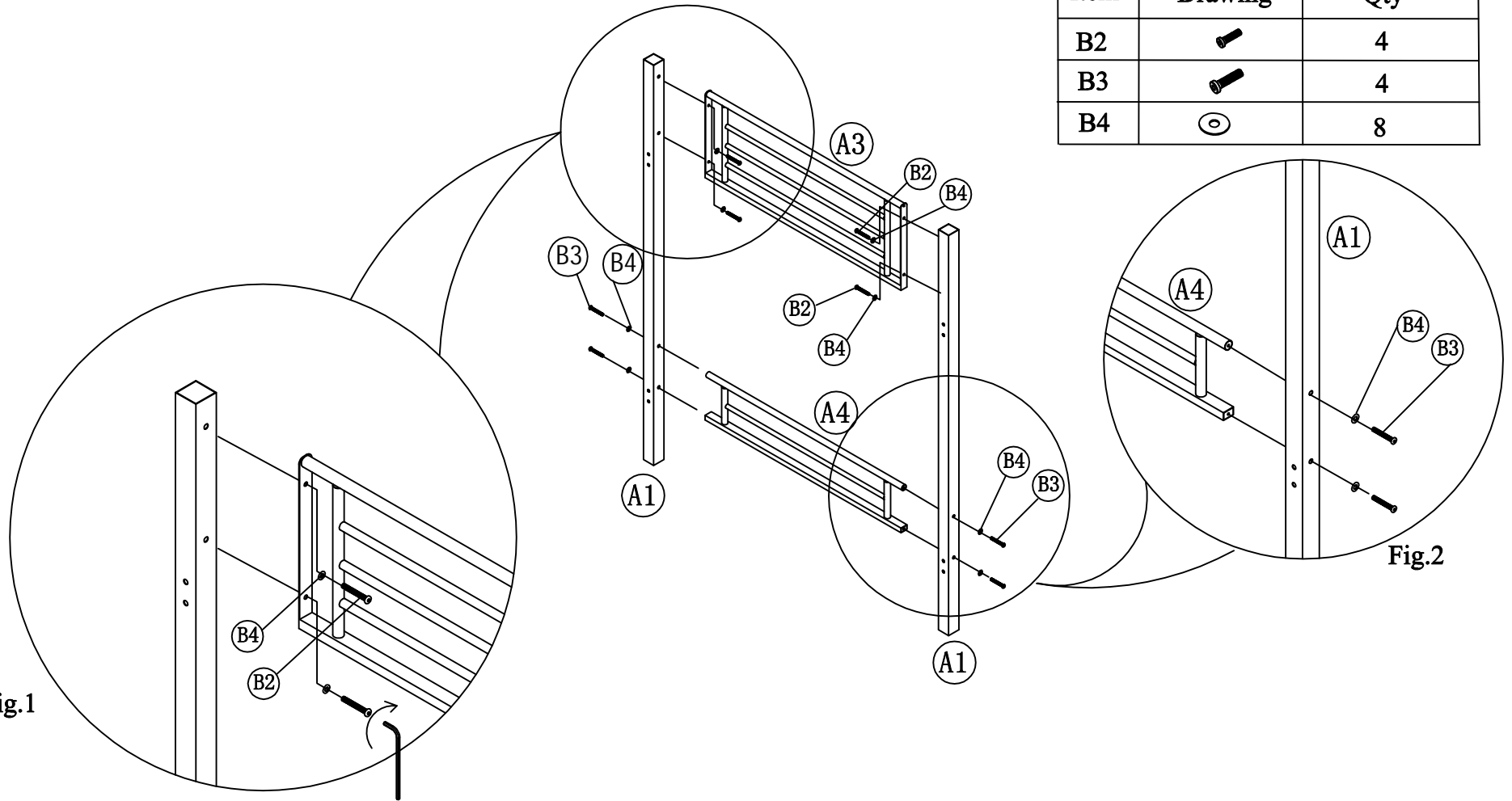



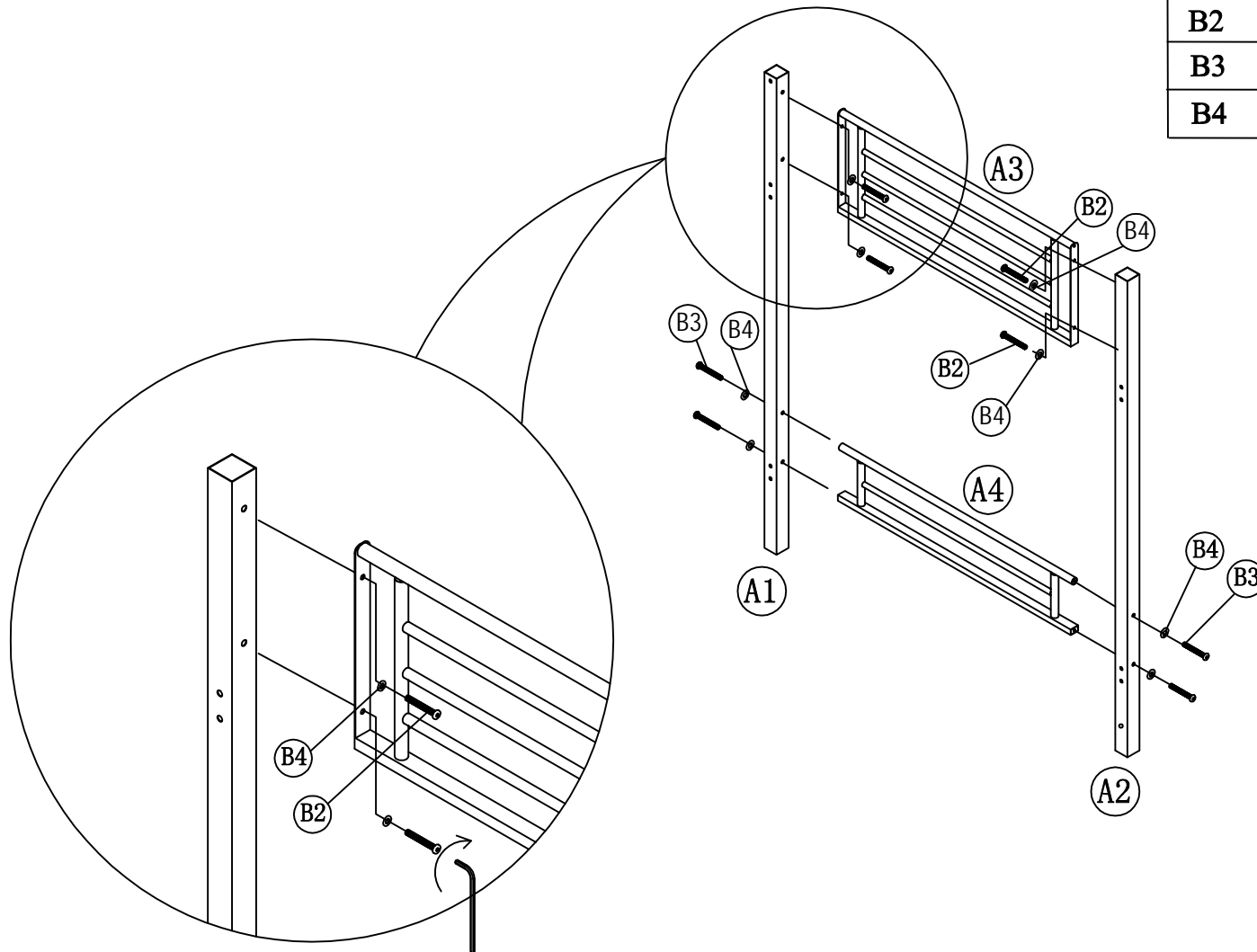


Fig.1

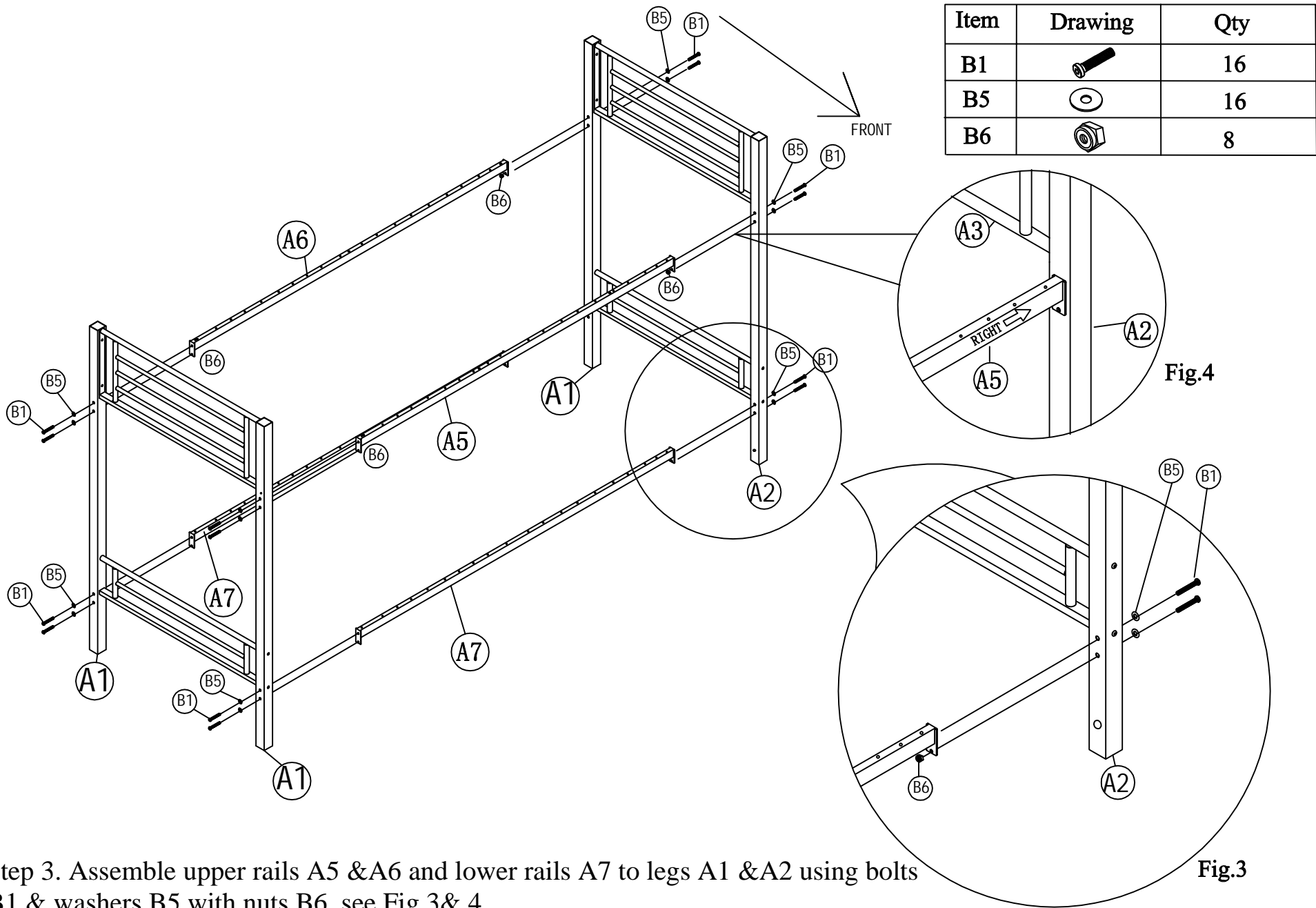
Fig.2

Step 1. Assemble legs A1 to upper head board A3 & bottom head board A4 using bolts B3 & B2 & spring B4. Refer Fig.1.& 2.

Item	Drawing	Qty
B2		4
B3		4
B4		8

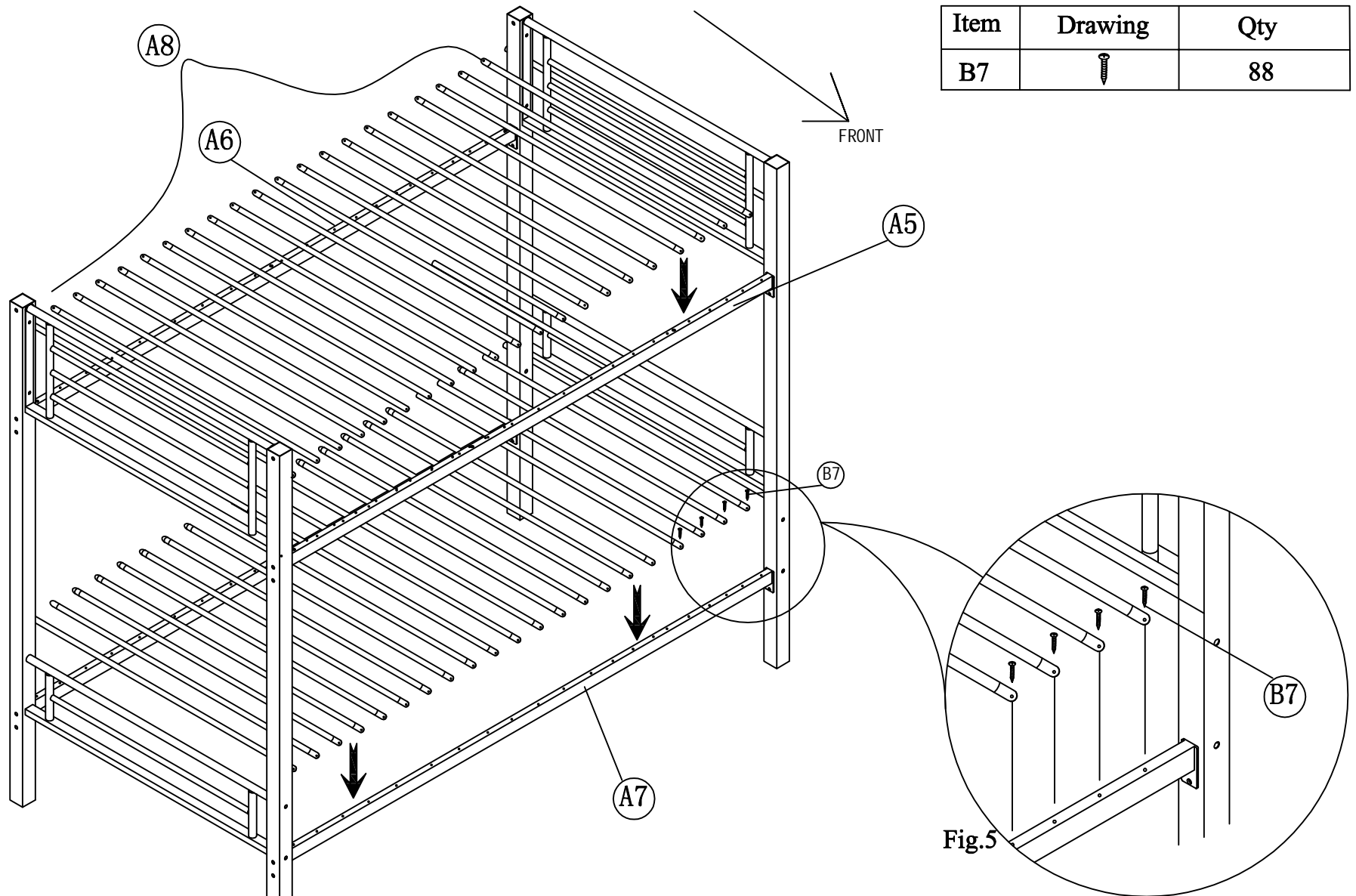


Step 2. Attach with the other two legs A1&A2 to upper head board A3 & bottom head board A4 using bolts B3 & B2 & washers B4.
Please note the leg A2 is in the right front side.



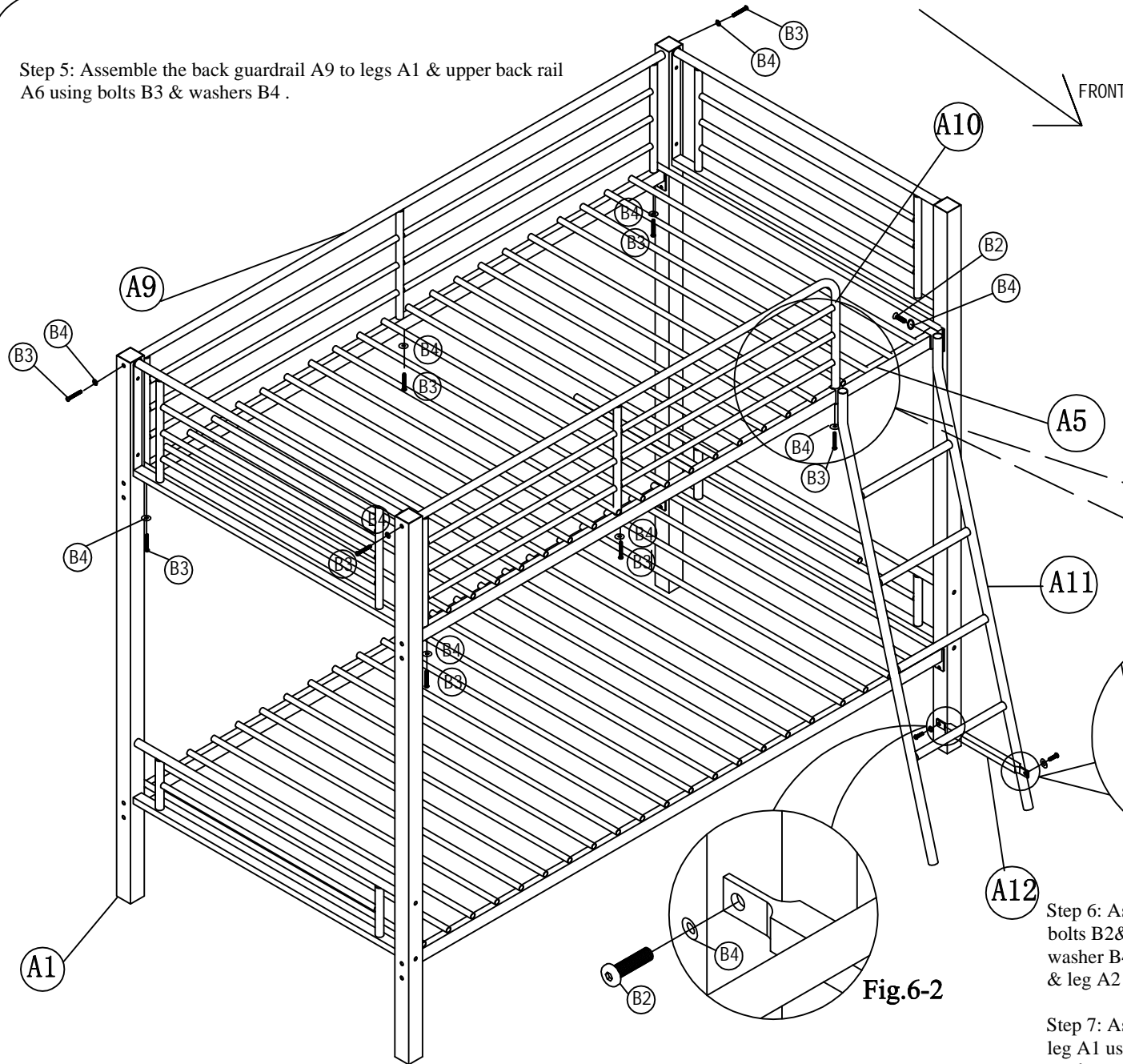
Step 3. Assemble upper rails A5 & A6 and lower rails A7 to legs A1 & A2 using bolts B1 & washers B5 with nuts B6. see Fig.3 & 4.

NOTE : Please do not tighten bolts B1 & nuts B6 until step 7 .



Step 4. Attach the bed slats A8 to the upper bed rails A5,A6 & the lower bed rails A7 using screws B7. Refer Fig.5.

Step 5: Assemble the back guardrail A9 to legs A1 & upper back rail A6 using bolts B3 & washers B4 .



Item	Drawing	Qty
B2		3
B3		9
B4		12

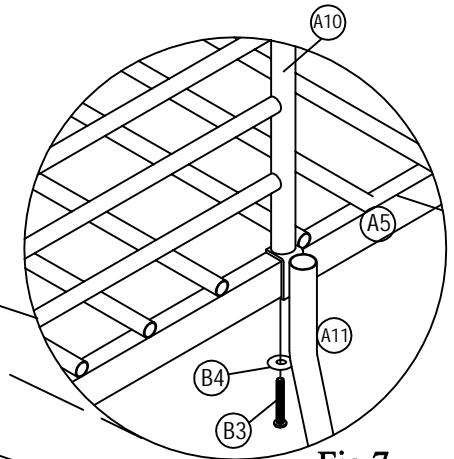


Fig.7

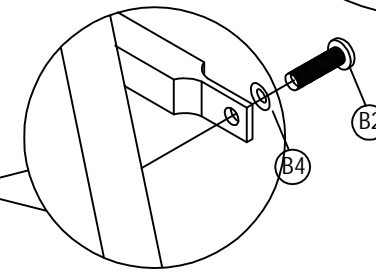


Fig.6-1

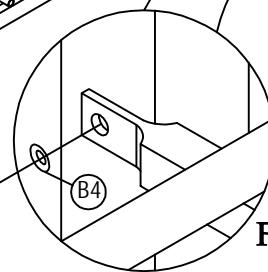


Fig.6-2

Step 6: Assemble the ladder A11 to the front upper rail A5 using bolts B2&B3 & washers B4, do not attach and tighten bolt B3 & washer B4 until step 7. Connect tube A12 to the bottom of ladder & leg A2 using bolts B2 with washers B4. Refer Fig. 6-1&6-2.

Step 7: Assemble the front guardrail A10 to front upper rail A5 & leg A1 using bolts B3 with washers B4, then fasten bolts B3 with washer at this point. Refer Fig.7. Now please tighten all the bolts at this point.

PLEASE KEEP MANUAL FOR FUTURE REFERENCE.

Please check bolts regularly during use, if any bolts loosen, please tighten it right away to reduce any risk of damage to user or item.

WARNING

TO HELP PREVENT SERIOUS OR FATAL INJURIES FROM ENTRAPMENT OR FALLS:

Never allow a child under 6 years on upper bunk.

Use only mattress which is 74"-75" long and 37 ½"-38 ½" wide on upper bunk.

Ensure thickness of mattress does not exceed 6" and mattress is at least 5" below upper edge of guardrails.

Use guardrails on both sides of upper bunk.

Prohibit horseplay on or under bed(s).

Prohibit more than one person on upper bunk.

Use ladder for entering and leaving upper bunk.

STRANGULATION HAZARD-Never attach or hang items to any part of the bunk bed that are not designed for use with the bed; for example, but not limited to hooks, belts, and jump ropes.

DO NOT REMOVE THIS LABEL.