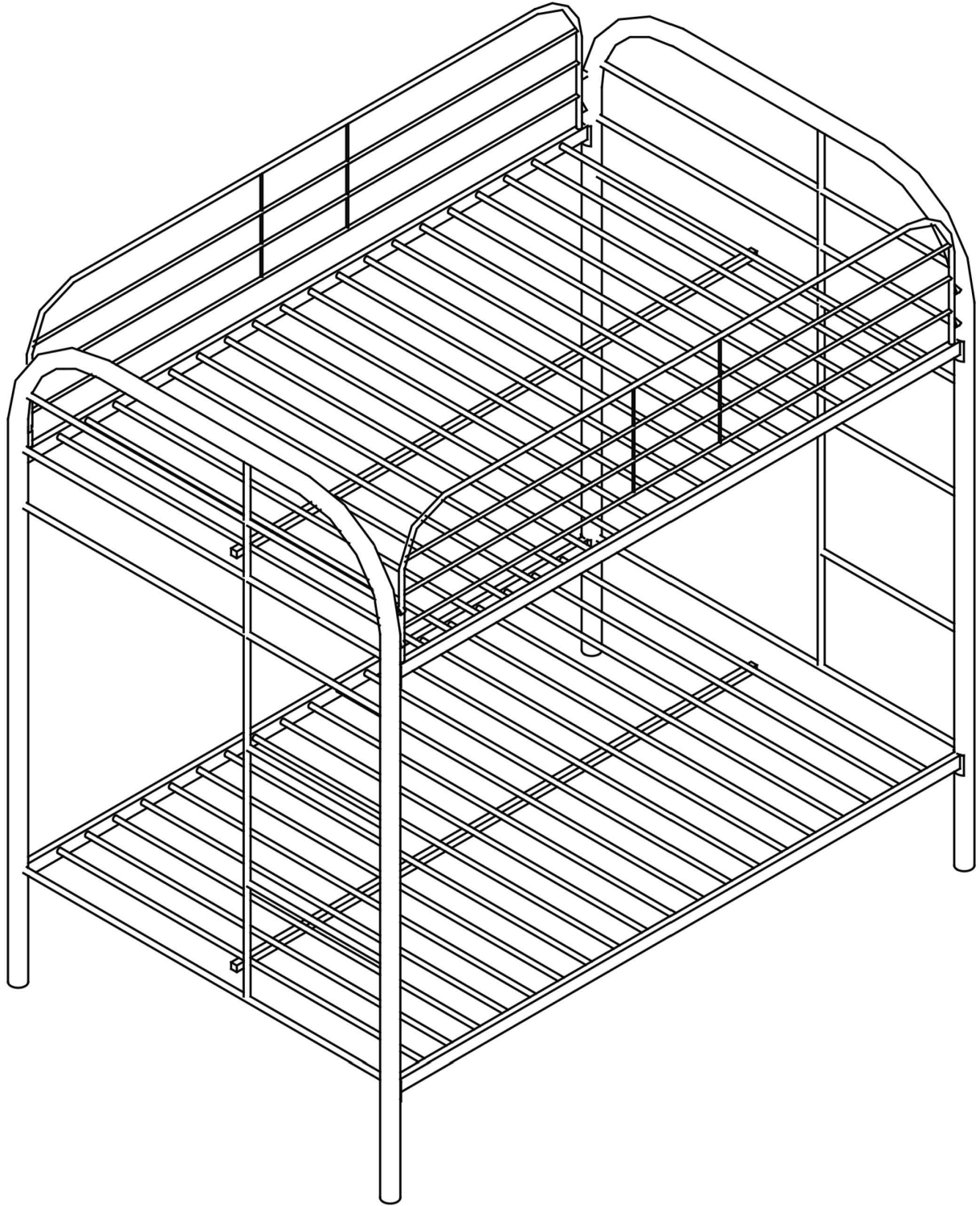


User's Manual

TWIN/TWIN BUNK BED



Dear Customer:

Thank you for selecting one of our bunk beds. Before assembling your bunk bed, please read this manual carefully.

IMPORTANT

- (1) Your bunk bed should be assembled in the room where it is to be used;
- (2) It is recommended to assemble your bunk bed on a pad in order to protect the finish;
- (3) It requires at least 3 persons to assemble your bunk bed;
- (4) Do not tighten the bolts and nuts until each part is in its assembled place.

WARNINGS

Follow the warnings appearing on one of the upper bunk end structures and on the carton.

DO NOT REMOVE WARNING LABEL FROM BED.

The mattress foundation is designed to support a mattress without the need for a posture board or box-spring.

Always use the recommended size mattress or mattress support, or mattress support, or both, to help prevent the likelihood of entrapment or falls.

Use only a mattress that is 74"-75" long and 37½"-38½" wide on either bunk.

Ensure thickness of mattress and foundation combined does not exceed 7".

Mattress surface must be at least 5" (127mm) below the upper edge of guardrails.

Do not allow children less than 6 years of age to use the upper bunk.

Periodically check and ensure that the guardrails, ladders and other components are in their proper position, free from damage, and that all connectors are tight.

Do not allow horseplay on or under the bed and prohibit jumping on the bed.

Always use the ladder for entering and leaving the upper bunk.

Do not use substitute parts. Contact your local dealer for replacement parts.

Use of a night light may provide added safety precaution for a child using the upper bunk.

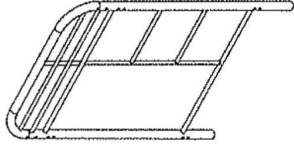
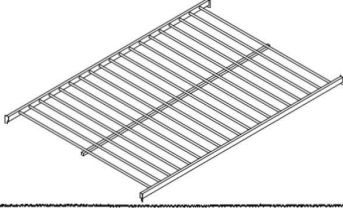


Always use guardrails on both sides of the upper bunk.

Prohibit more than one person on upper bunk.

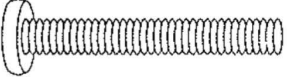
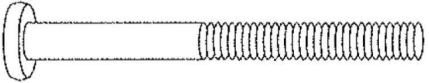

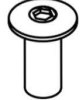

The use of water or sleep flotation mattress on this bed is prohibited.

PLEASE KEEP THIS MANUAL FOR YOUR FUTURE REFERENCE.

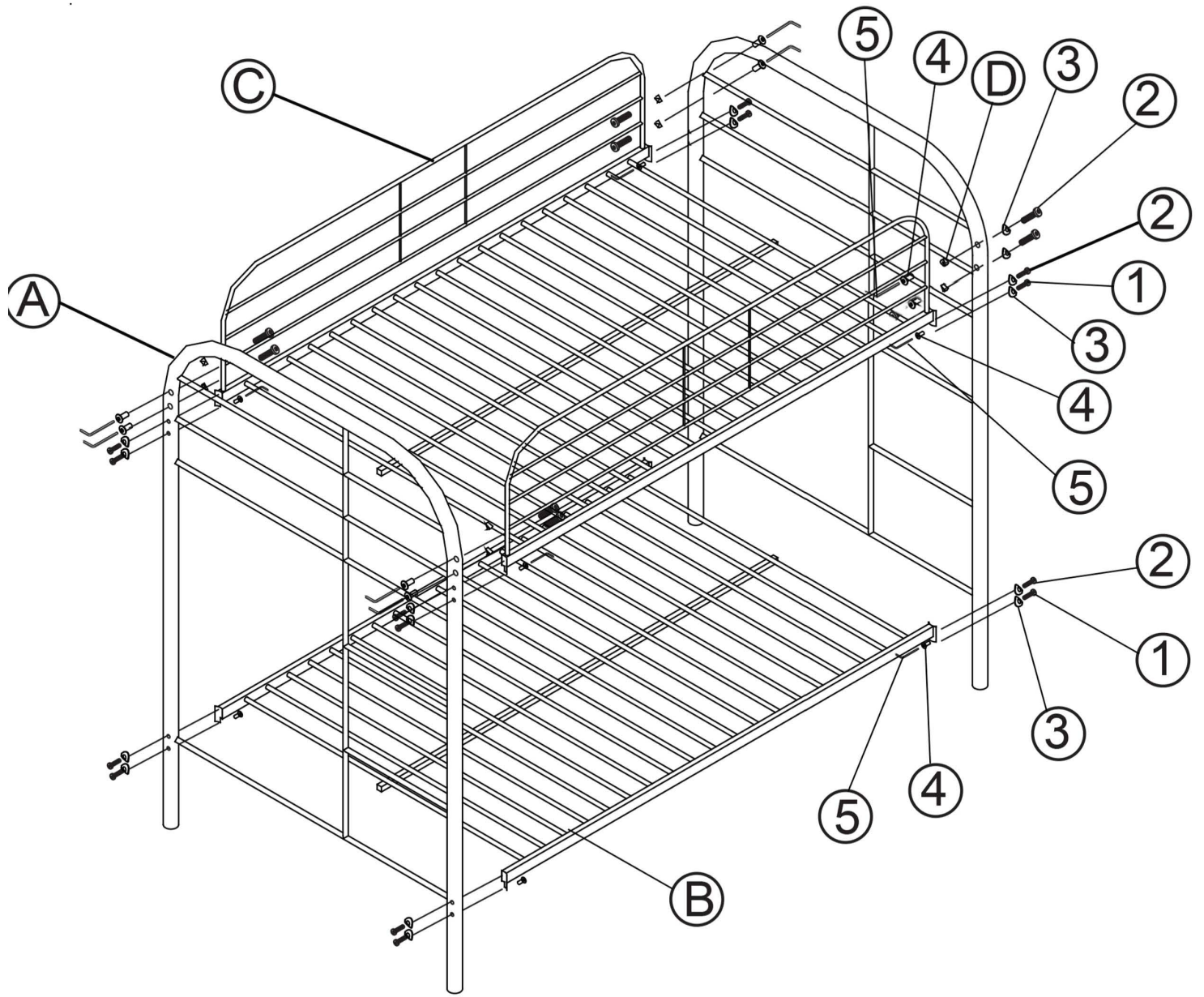
Parts List
A – Furniture Parts

Parts ID	Image	Description	Qty
A		Side Frame	2
B		Platform	2
C		Guardrails	2
D		Plastic Connector	8

B- Hardware Parts

Parts ID	Image	Description	Qty
1		Bolt 45mm	8
2		Bolt 75mm	16
3		Washers	24
4		Nuts	16
5		Allen Key	2

Main Construction and Parts Position Drawing



WARNING

**TO HELP PREVENT SERIOUS OR FATAL
INJURIES FROM ENTRAPMENT OR FALLS:**

Never allow a child under 6 years on upper bunk.

Use only mattress which is 74"-75" long and
37½"-38½" wide on upper bunk.

Ensure thickness of mattress does not exceed 7"
and mattress is at least 5" below upper edge of guardrails.

Use guardrails on both sides of upper bunk.

Prohibit horseplay on or under bed(s).

Prohibit more than one person on upper bunk.

Use ladder for entering and leaving upper bunk.

STRANGULATION HAZARD-Never attach or hang items to any part of the bunk bed that are not designed for use with the bed; for example, but not limited to hooks, belts, and jump ropes.

DO NOT REMOVE THIS LABEL