

ASSEMBLY INSTRUCTIONS

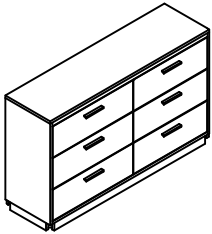
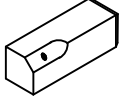
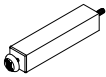




MODEL : FBDSRA-087A

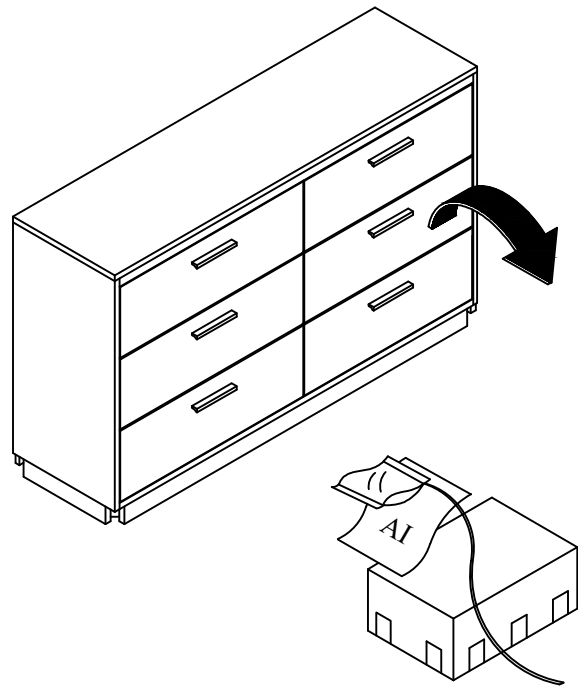
REVISION : A

B2186 D

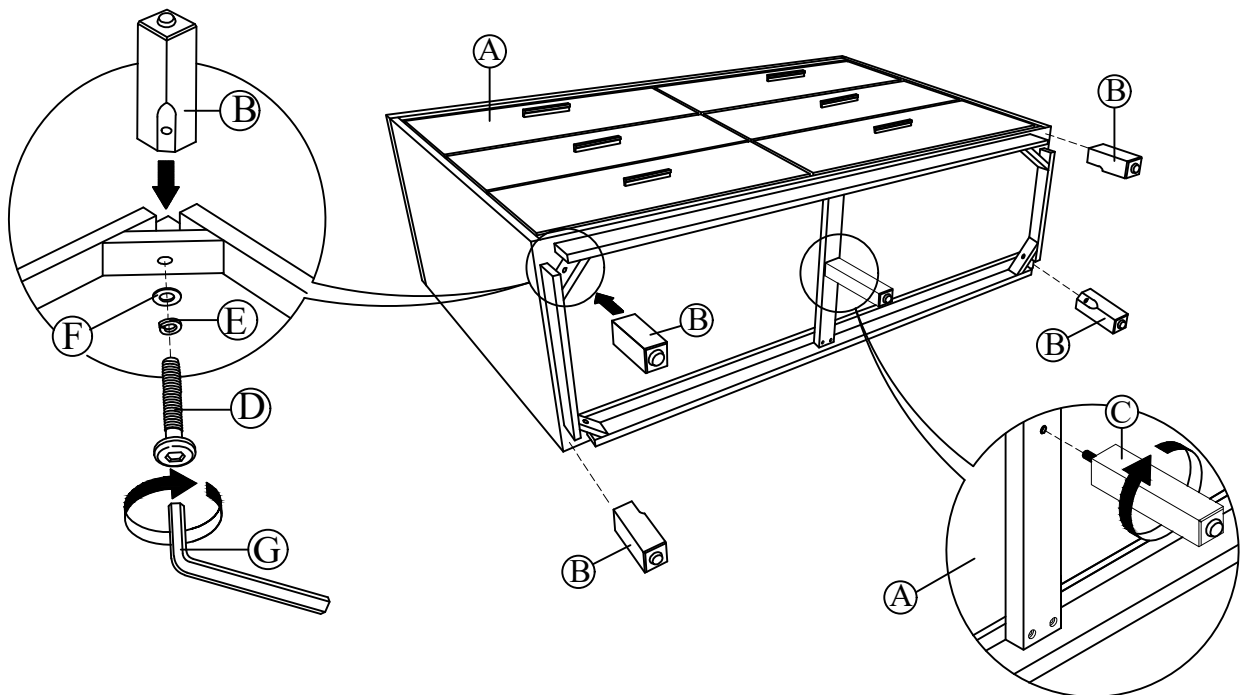
STEP 1

Take out Assembly Instruction sheet, Hardware Pack and Feet Packaging from the Drawer which marked with the rope.

NO	PARTS LIST		QTY
A	Dresser		1
B	Feet		4
C	Support Leg		1
NO	HARDWARE LIST		QTY
D	Bolt		4
E	SpringWasher		4
F	Washer $\text{\O} \frac{1}{4}'' \times 20\text{mm}$		4
G	Allen Key M4		1



STEP 2



Insert Leg (B) at position as shown and tighten with JCBC Screw (D), Spring Washer (E) & Flat Washer (F) by using Allen key (G). Rotate and tighten Center Support Leg (C) to center of the bottom Dresser.