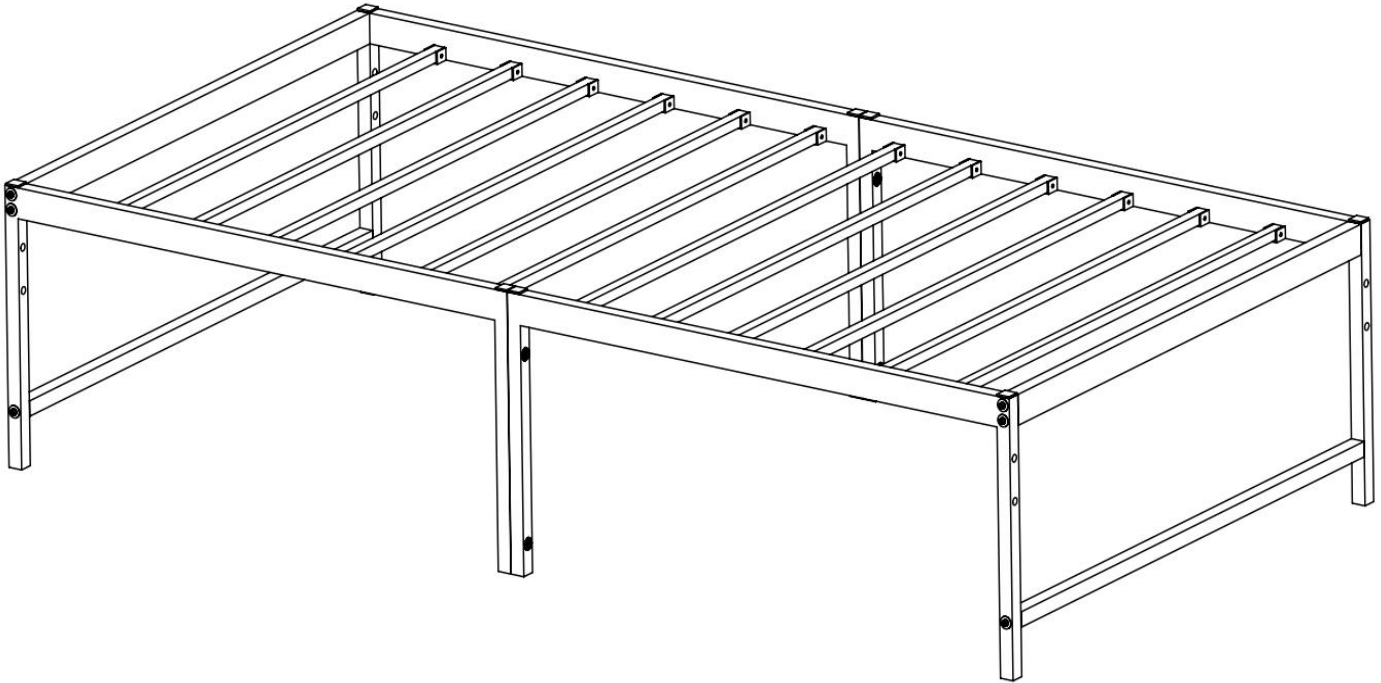


ASSEMBLY INSTRUCTIONS

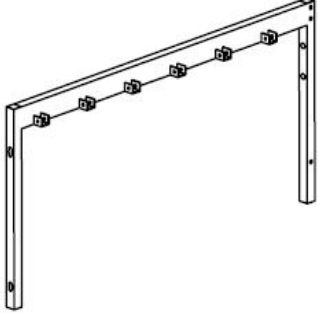
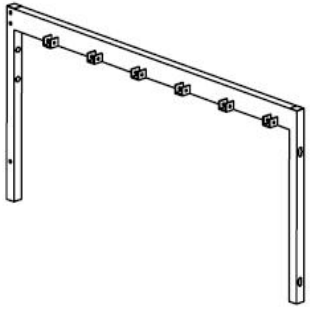
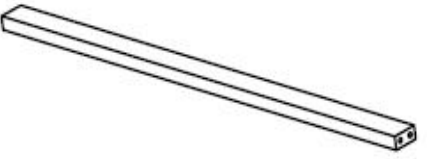

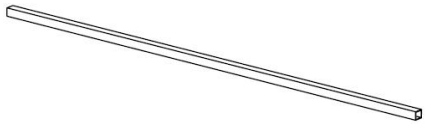
ITEM NO:B2039



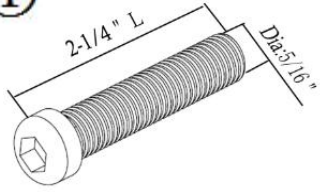
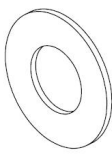
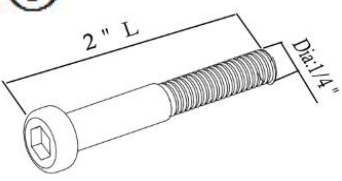
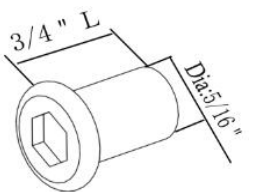
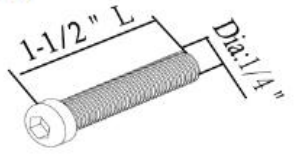




NOTE TO CUSTOMERS:

- For ease and speed of assembly we recommend that before you commence each step of the assembly that you identify all the parts required that step.
- We recommend that where possible you allow sufficient space to assemble the item as close as possible to the place where it will be once assembled.
- For the protection of your furniture we recommend that the product is placed on protected surfaces during assembly to prevent any damage.
- During assembly do not over tighten, as this may damage the product.
- Please ensure you retain all the product packaging until the item completely assembled.
- Please periodically check all fittings and re-tighten as necessary.
- Never allow any liquids to your furniture as absorption can cause the wood to warp or the finish to de-laminate.
- It is recommended that this item should be assembled by two adults.

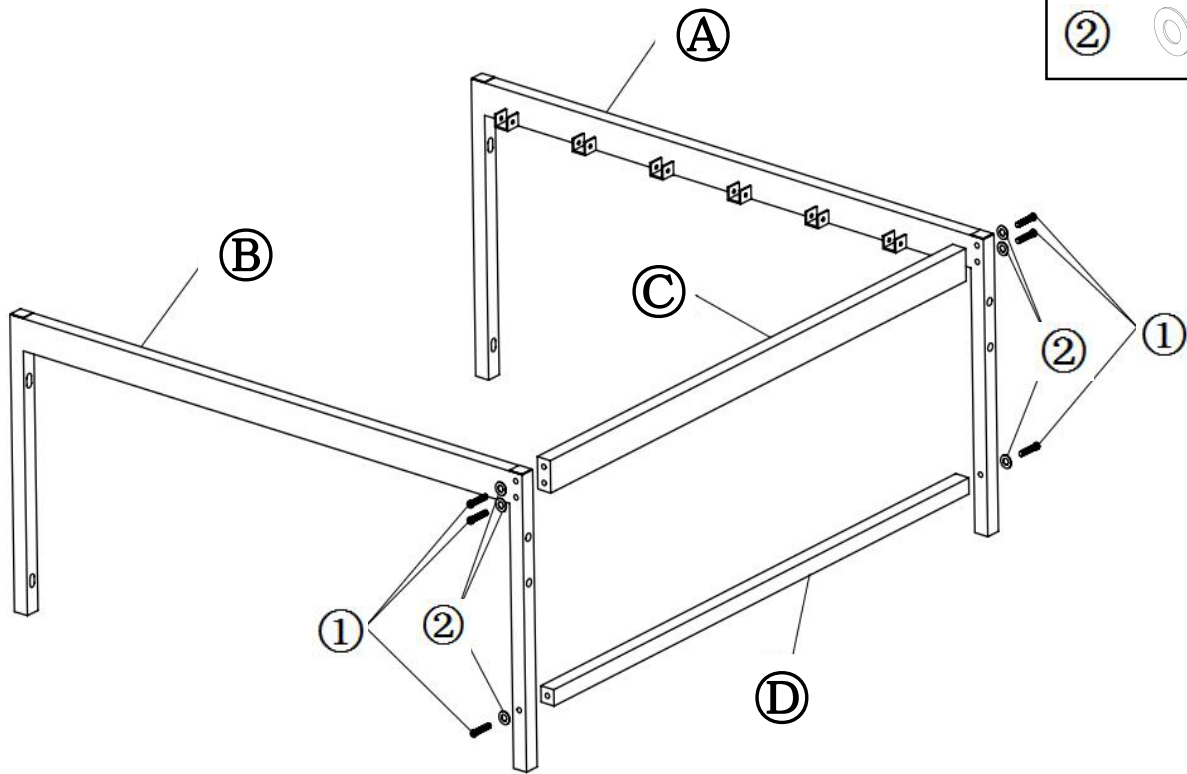
Parts List

<p>Ⓐ Quantity of 2</p>  <p>bed base</p>	<p>Ⓑ Quantity of 2</p>  <p>bed base</p>	<p>Ⓒ Quantity of 2</p>  <p>Tube</p>
<p>Ⓓ Quantity of 2</p>  <p>Tube</p>	<p>Ⓔ Quantity of 12</p>  <p>Slats</p>	

Hardware List

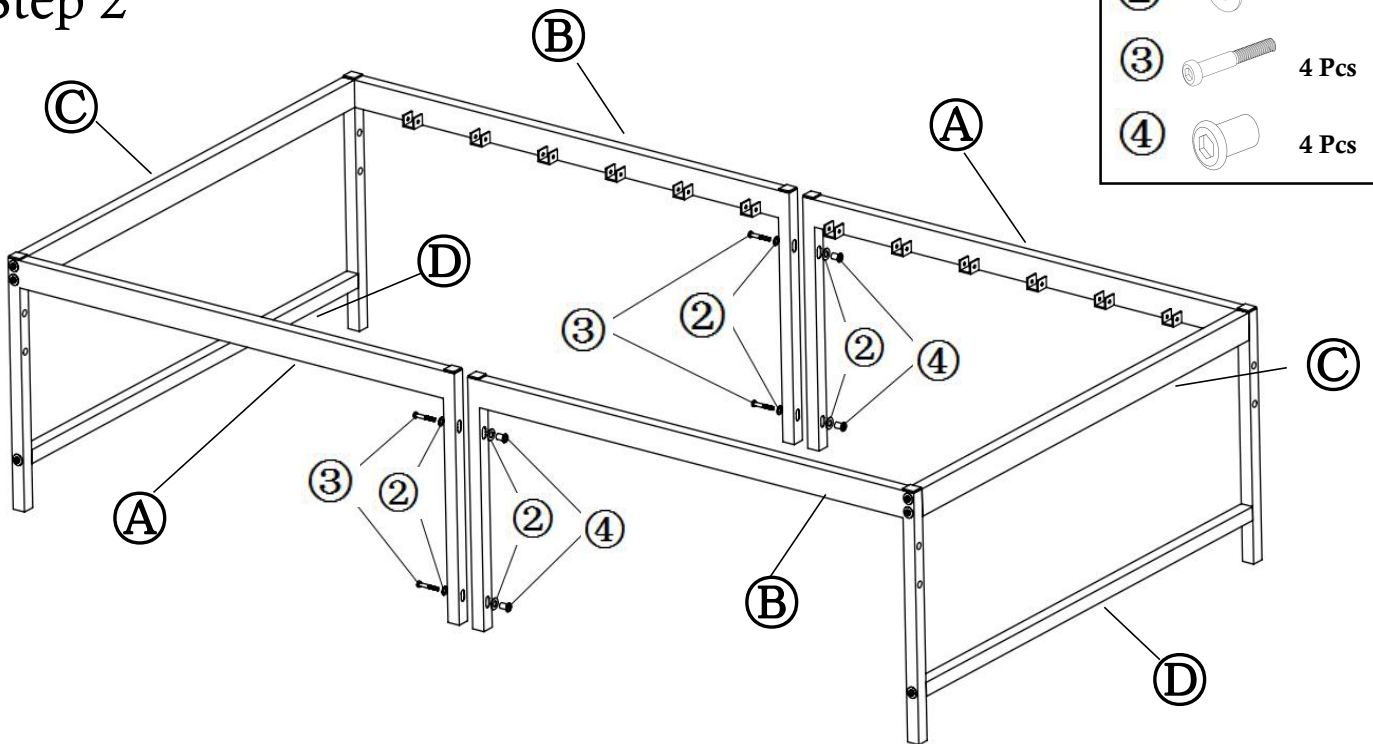
<p>① Quantity of 12</p>  <p>Bolt</p>	<p>② Quantity of 20</p>  <p>Washers</p>	<p>③ Quantity of 4</p>  <p>Bolt</p>	<p>④ Quantity of 4</p>  <p>Nuts</p>
<p>⑤ Quantity of 24</p>  <p>Bolt</p>	<p>⑥ Quantity of 24</p>  <p>Nuts</p>	<p>⑦ Quantity of 2</p>  <p>Allen Key</p>	<p>⑧ Quantity of 1</p>  <p>Allen Key</p>
<p>⑨ Quantity of 1</p>  <p>Wrench</p>			

Step 1



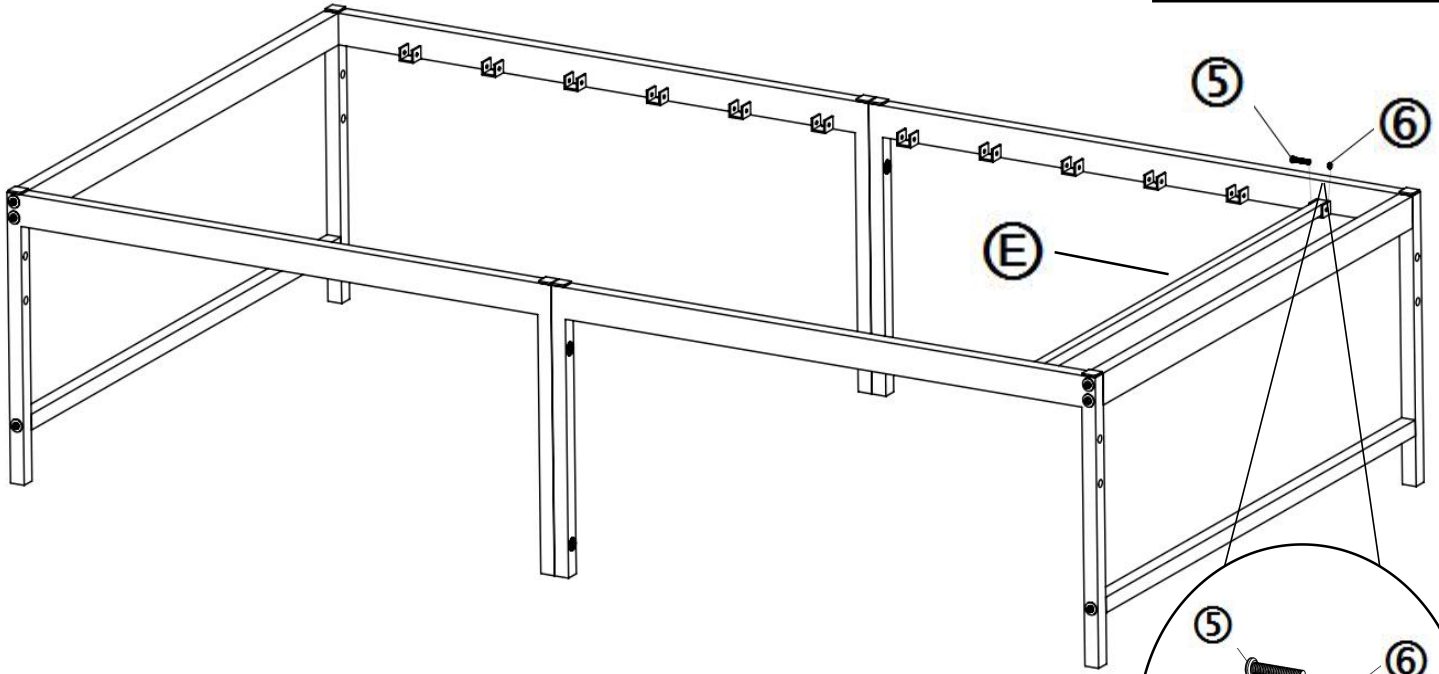
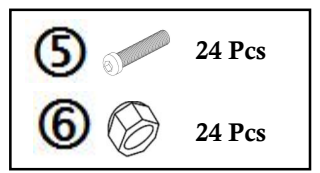
Use Bolt - ①, Washer - ② and Allen Key #8 ,
to assemble Tube ③ and Tube ④ to Bed Base ⑤ and Bed Base ⑥ .

Step 2



Use Bolt - ③, Nut - ④,
Washer - ② and Allen Key #7 (double) to assemble Bed Base ⑥ to Bed Base ⑦ .

Step 3



Use Bolt #⑤ ,Nut #⑥ , Wrench #9 and Allen Key # 8 to assemble the Slats ⑤ to the Bed Base ① and Bed Base ②, repeat to assemble the other 11 Slats.

Finish

