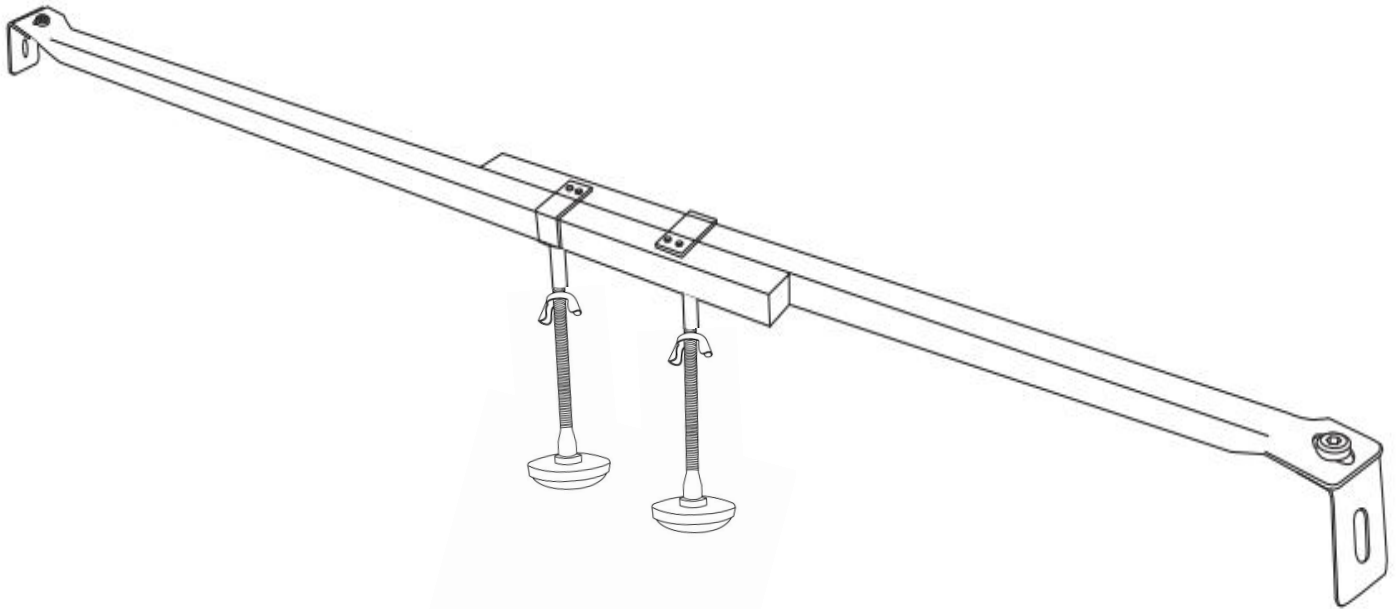


ASSEMBLY INSTRUCTIONS

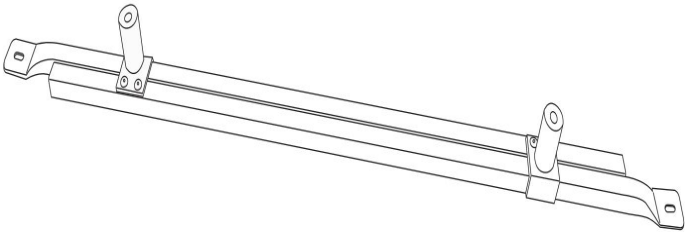
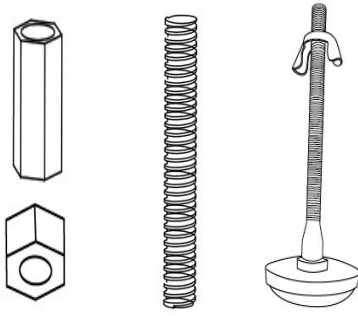

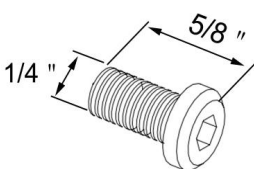
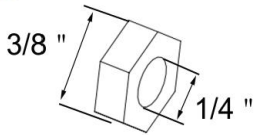
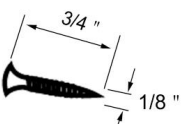
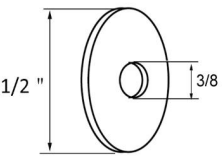

ITEM NO: B1310/B1311



Important Notice:

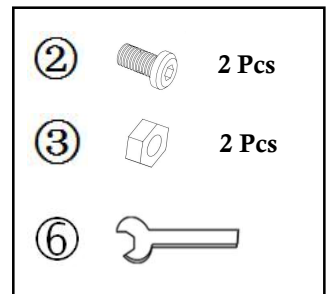
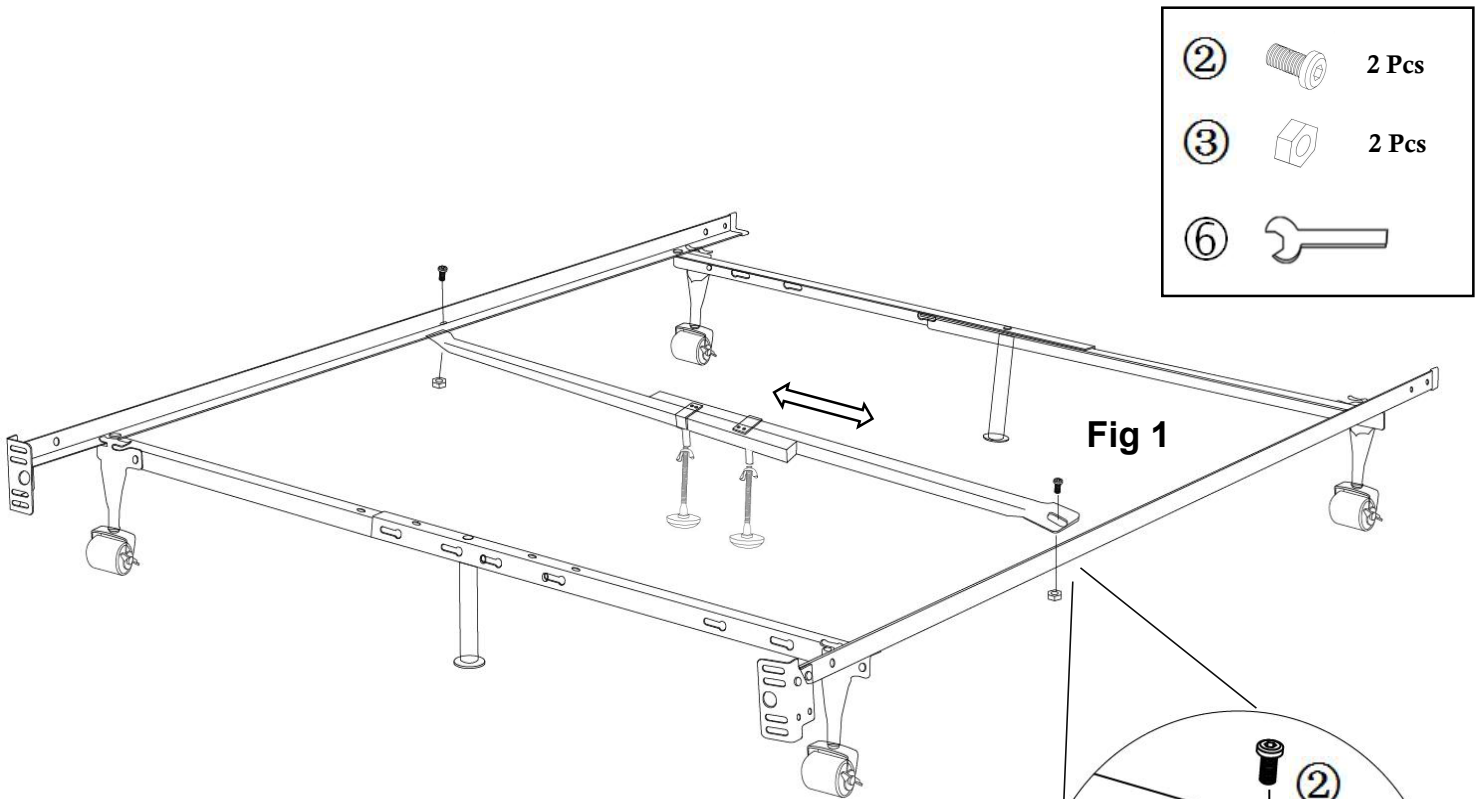
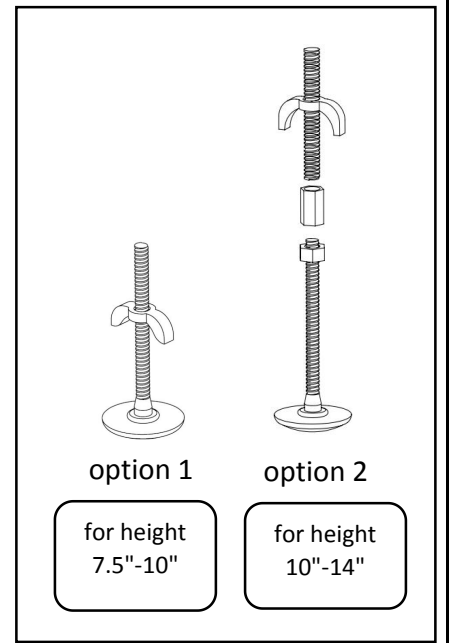
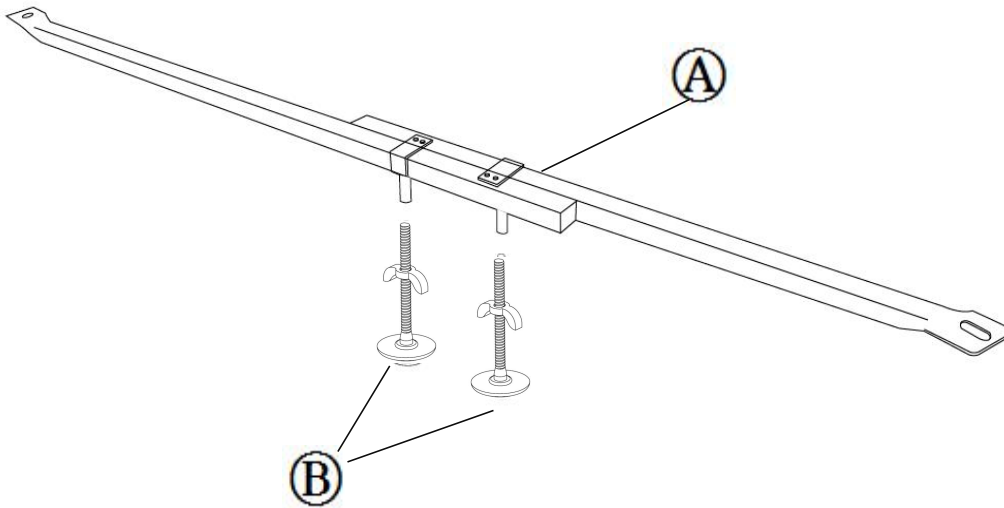
This support rail is designed to be used either on metal bed frame or wooden platform bed. Please follow the steps below.

Parts & Hardware List

<p>(A) Quantity of 1</p> 	<p>(B) Quantity of 2</p> 	
<p>(1) Quantity of 2</p> 	<p>(2) Quantity of 2</p> 	<p>(3) Quantity of 2</p> 
<p>(4) Quantity of 2</p> 	<p>(5) Quantity of 2</p> 	<p>(6) Quantity of 1</p> 

Option 1

To be used on a metal bed frame



Use Bolt #2 & Nut #3 to assemble the support rail to the Bed Frame.

NOTE: To attach this support rail to a metal bed frame, the bed frame needs to have pre drilled holes on the side rails, some bed frames may not have holes on the side rails. if there are no holes on the side rails of the frame, you will need to pre-drill the holes so that the the support can be attached to the frame with bolts.

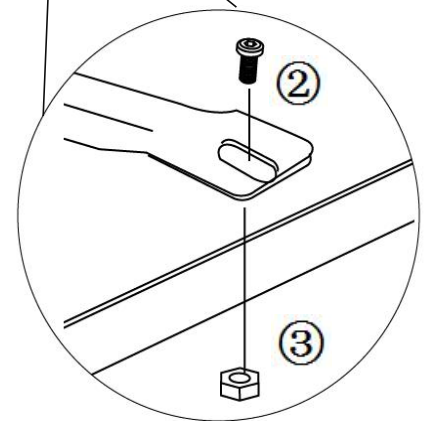

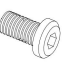




Fig 1

Option 2

For wooden platform bed

- ①  2 Pcs
- ②  2 Pcs
- ③  2 Pcs
- ⑥ 

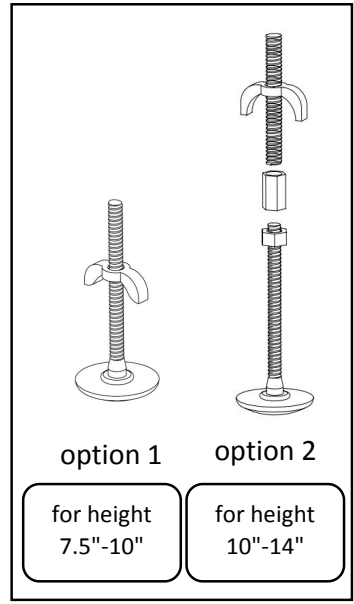


Fig 2

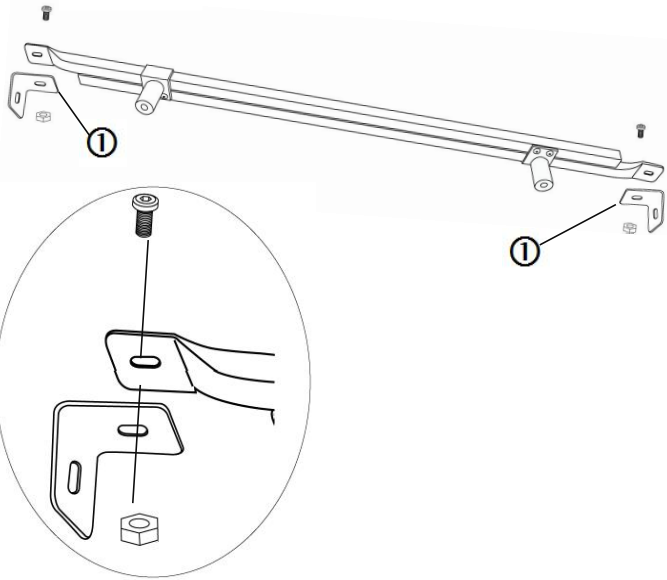
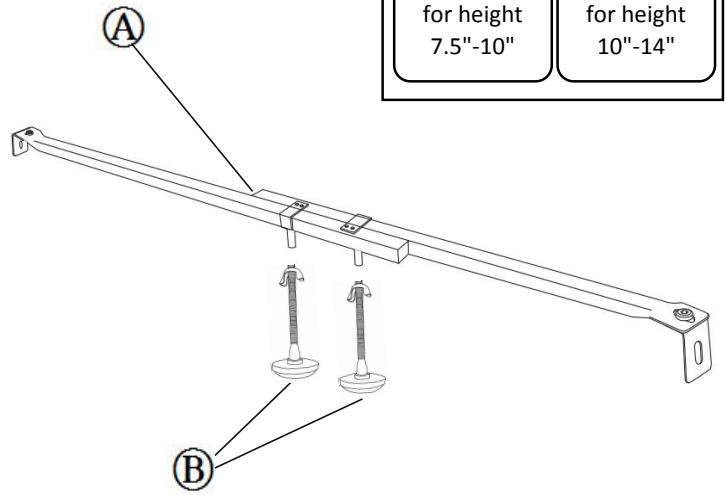




Fig 2



- ④  2 Pcs
- ⑤  2 Pcs

Tool:
Phillips Head Screwdriver
(Not Provided)

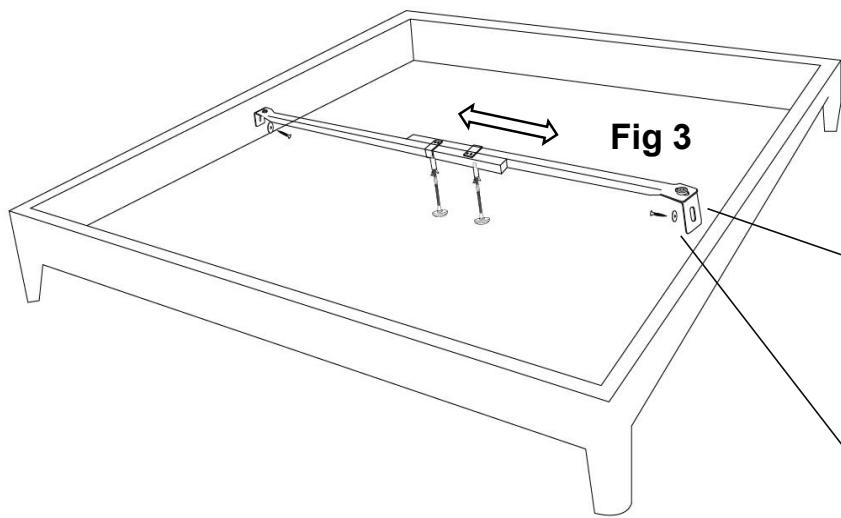


Fig 3

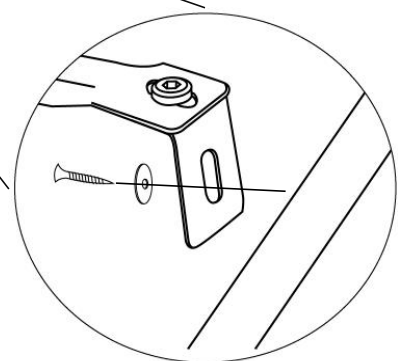


Fig 3