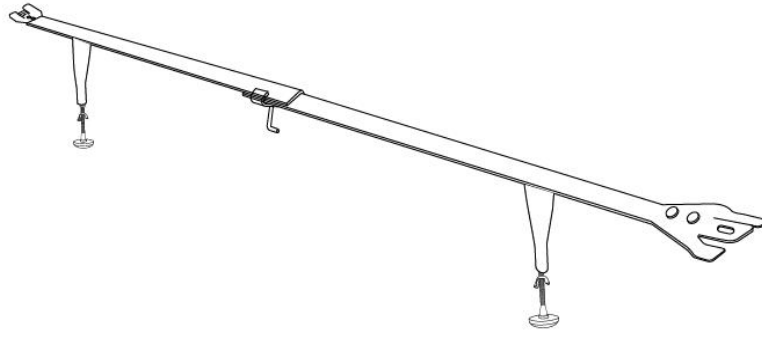


# ASSEMBLY INSTRUCTIONS

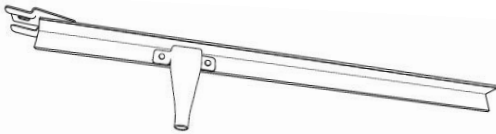
ITEM NO: B1308/B1309



## Parts & Hardware List

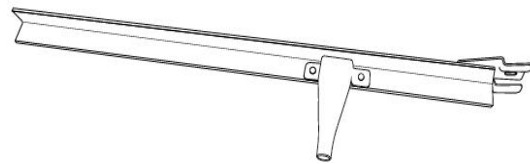
Ⓐ

Quantity of 1



Ⓑ

Quantity of 1



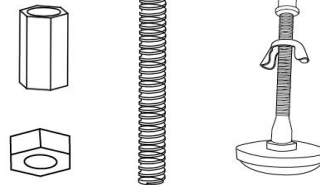
①

Quantity of 1



②

Quantity of 2



### Step 1

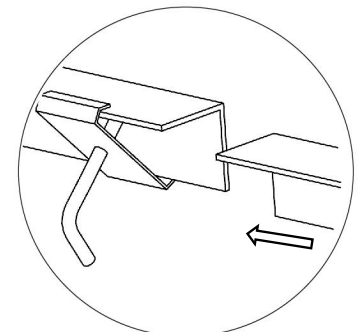
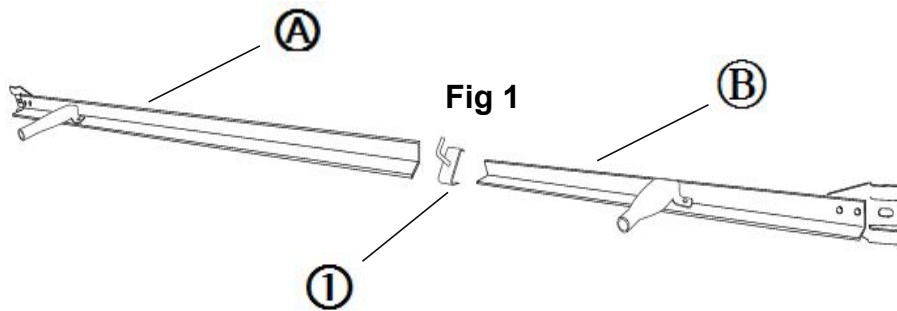
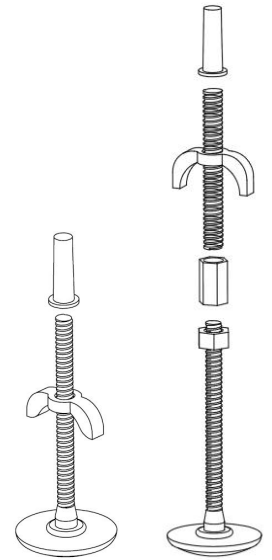
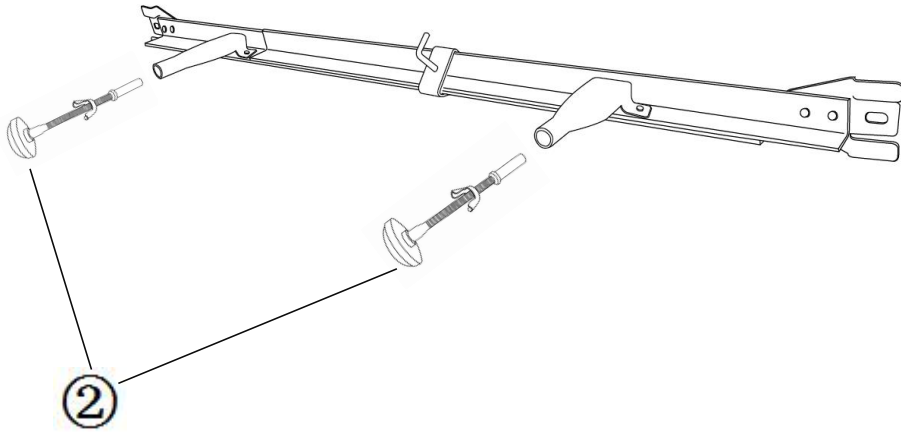


Fig 1

## Step 2



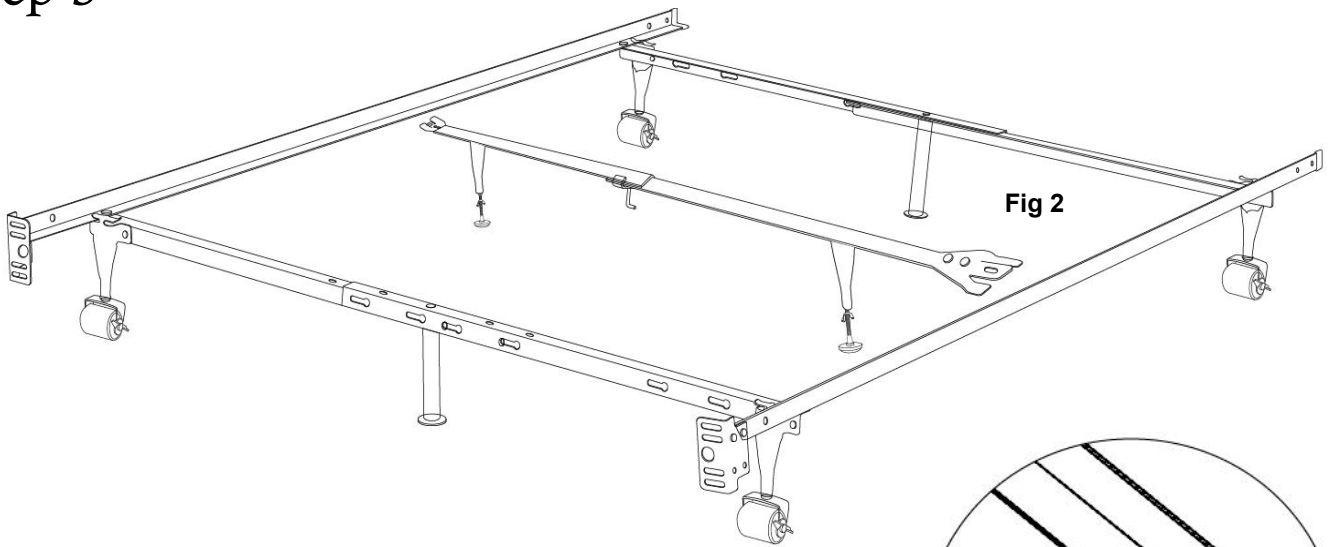
option 1

option 2

for height  
5.25"-7.5"

for height  
10"-12"

## Step 3



### NON TOOL DESIGN

This support rail is designed to attach to the frame without securing it to the frame by nuts and bolts, if you would like to attach the support with nuts and bolts, you need to make sure the bed frame rail has pre-drilled holes on the side rails, if there are no holes on the side rails of the frame, you will need to pre drill the holes so that the the support can be attached to the frame with bolts.  
( note: nuts and bolts are not provided)

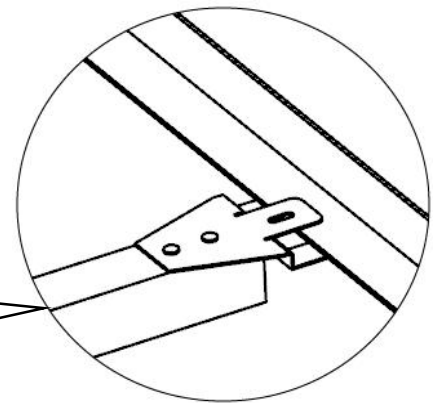


Fig 2