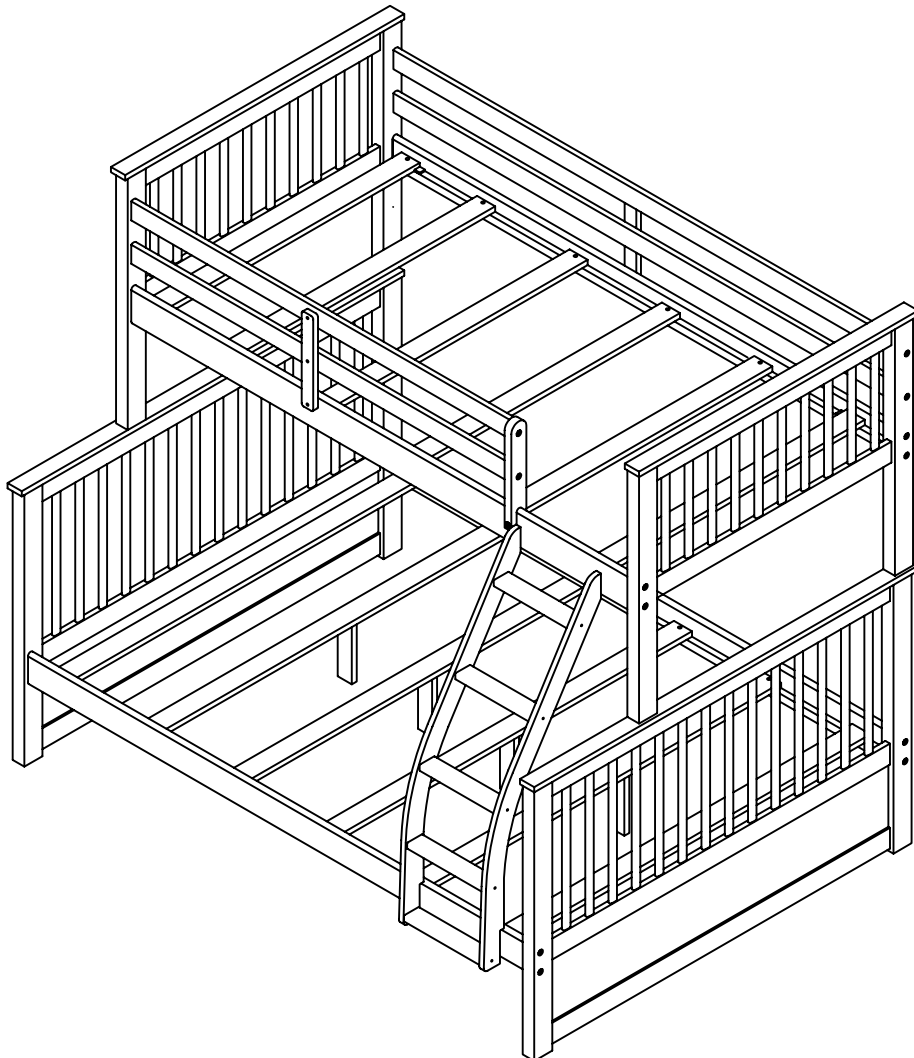


WOODEN BUNK BED
ITEM# 45128

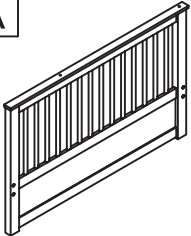
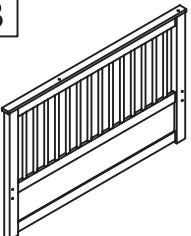

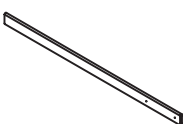
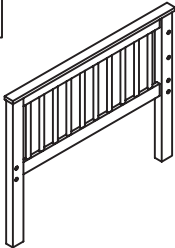
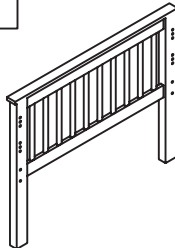
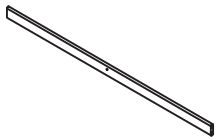
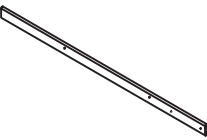
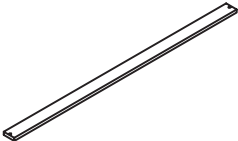





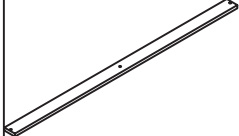

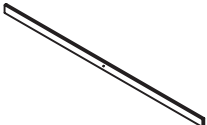




Assembly Instructions

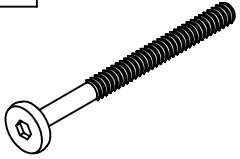
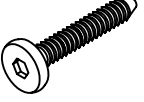
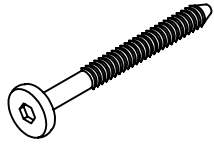
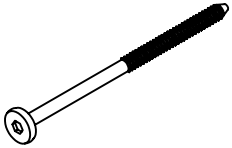
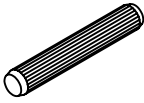

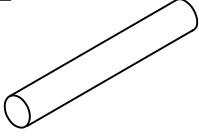

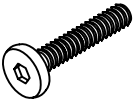
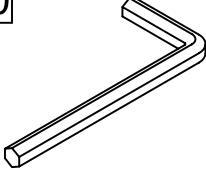
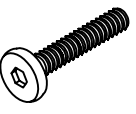
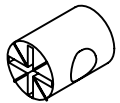
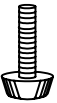
Thank you for purchasing this product. Be sure to check all packing material carefully for small parts which may have come loose inside the carton during shipment. Separate, identify, and count all parts and metal hardware. Compare with parts list to be sure all parts are present. If any part(s) are missing or damaged, please contact your local furniture dealer. For efficient and speedy service, please indicate the model number and code letter of part(s) needed.

*** Note: Do not fully tighten screws until fully assembled***

Parts list & Illustration

			
Bottom right panel 1pc	Bottom left panel 1pc	Lower back side rail 1pc	Lower front side rail 1pc
			
Right top side panel 1pc	Left top side panel 1pc	Back upper side rail 1pc	Front upper side rail 1pc
			
Bottom slats 2pcs	guardrail reinforce bars 1pc	Ladder steps 5 pcs	Ladder left side rail 1pc
			
Ladder right side rail 1pc	Upper slats 6pcs	Bottom slats 4pcs	Front guardrail bar 2pcs
			
Back guardrail bar 2pcs	Front side guardrail bars 1pc	Center supports 4pcs	

Hardware & Illustration

<p>1</p>  <p>Ø16*Ø1/4*3-3/8"</p>	<p>2</p>  <p>Ø16*Ø1/4*1-1/4"</p>	<p>3</p>  <p>Ø16*Ø1/4*2-1/2"</p>	<p>4</p>  <p>Ø16*Ø1/4*3"</p>	<p>5</p>  <p>Ø8*30mm</p>
<p>Hex-Head bolts 16 pcs</p>	<p>Hex-Head bolts 8 pcs</p>	<p>Hex-Head bolts 12 pcs</p>	<p>Hex-Head bolts 6 pcs</p>	<p>Wood plugs 36 pcs</p>
<p>6</p> 	<p>7</p>  <p>Ø10*90mm</p>	<p>8</p>  <p>Ø8*1-1/4"</p>	<p>9</p>  <p>Ø16*Ø1/4*1-3/4"</p>	<p>10</p> 
<p>Nut 16 pcs</p>	<p>Contacting bar 4 pcs</p>	<p>Wood screws 24 pcs</p>	<p>Hex-Head bolts 4 pcs</p>	<p>Allen key 1 pc</p>
<p>11</p>  <p>Ø16*Ø1/4*2-5/8"</p>	<p>12</p>  <p>Ø1/4*15mm</p>	<p>13</p> 		
<p>Hex-Head bolts 4 pcs</p>	<p>Horizontal- Hole bolts 4 pcs</p>	<p>Leveler 4 pcs</p>		

*** Matress (not included)

Recommended size: 37.5" wide x 74" long x 6" maximum thickness.

Attention: Some numbered parts listed on the instruction sheet may not be in parts bag as they may already be assemble. Carefully check parts and packing material prior to ordering replacements.

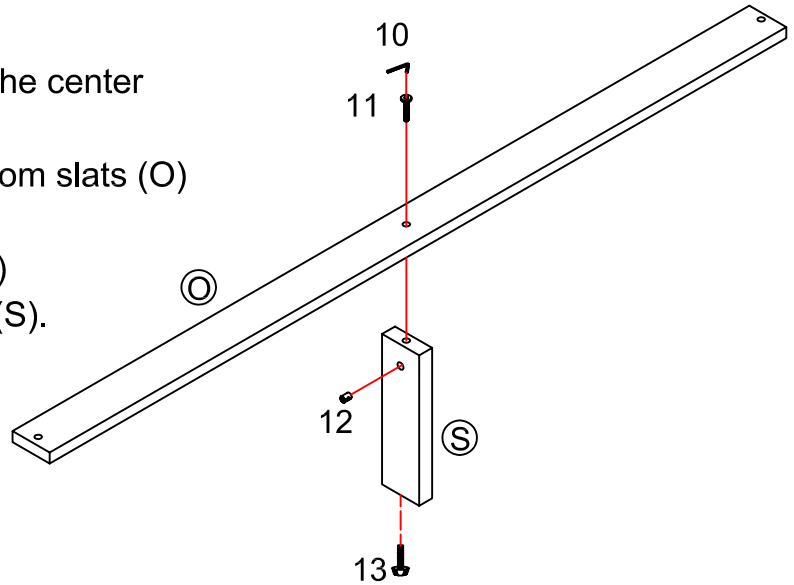
STEP 1

Insert horizontal- Hole bolts (12) to the center supports (S).

Attached center supports (S) to bottom slats (O) with bolts (11)

Tighten bolts (11) with allen key (10)

Add leveler (13) to center supports (S).

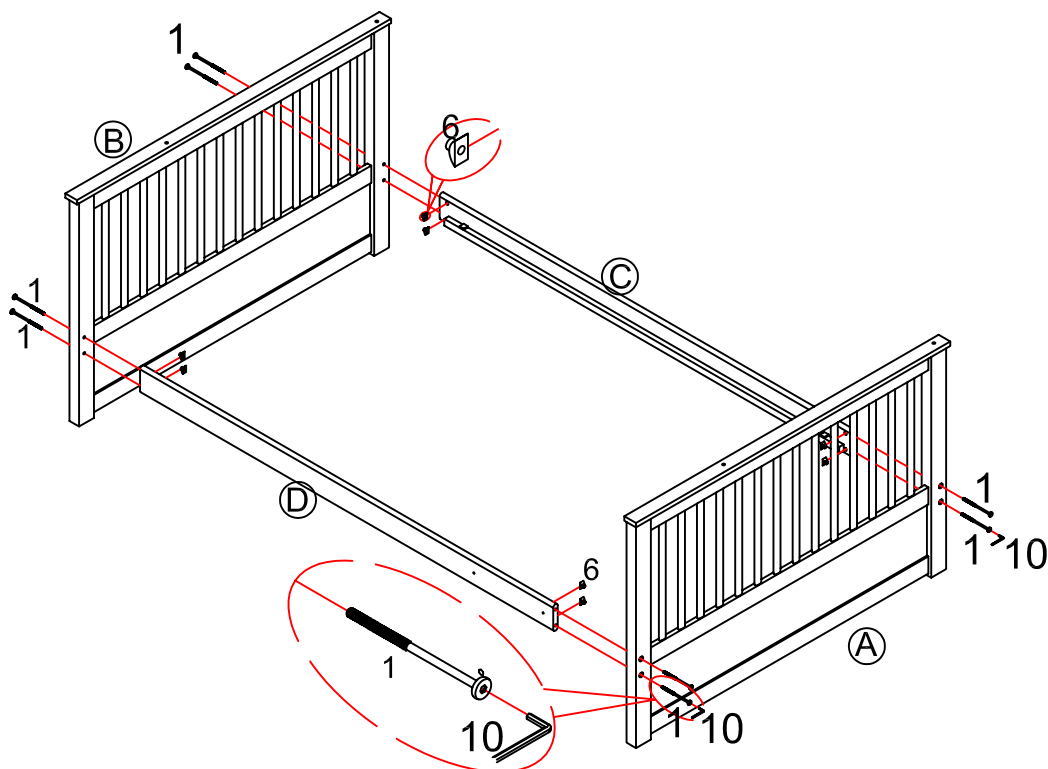


STEP 2

Insert nut (6) into lower back and front side rail (C,D)

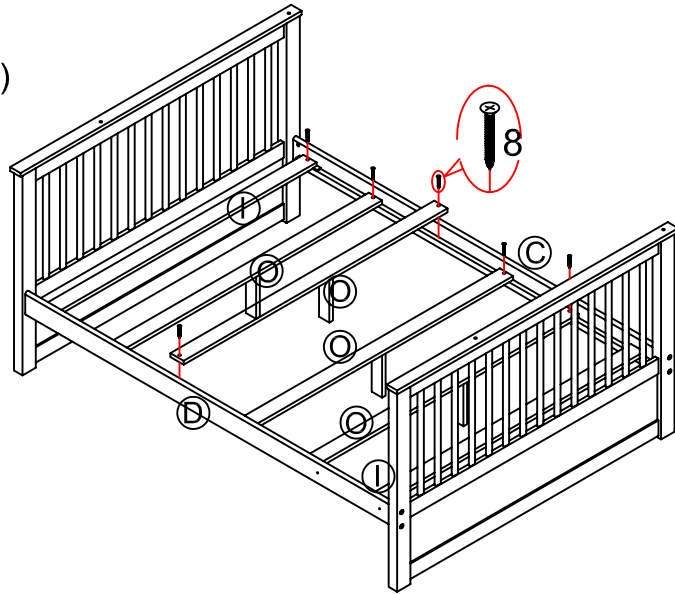
Attached lower back and front side rail (C,D) to bottom right and left panel (A,B) with bolts (1) .

Tighten bolts (1) with allen key (10)



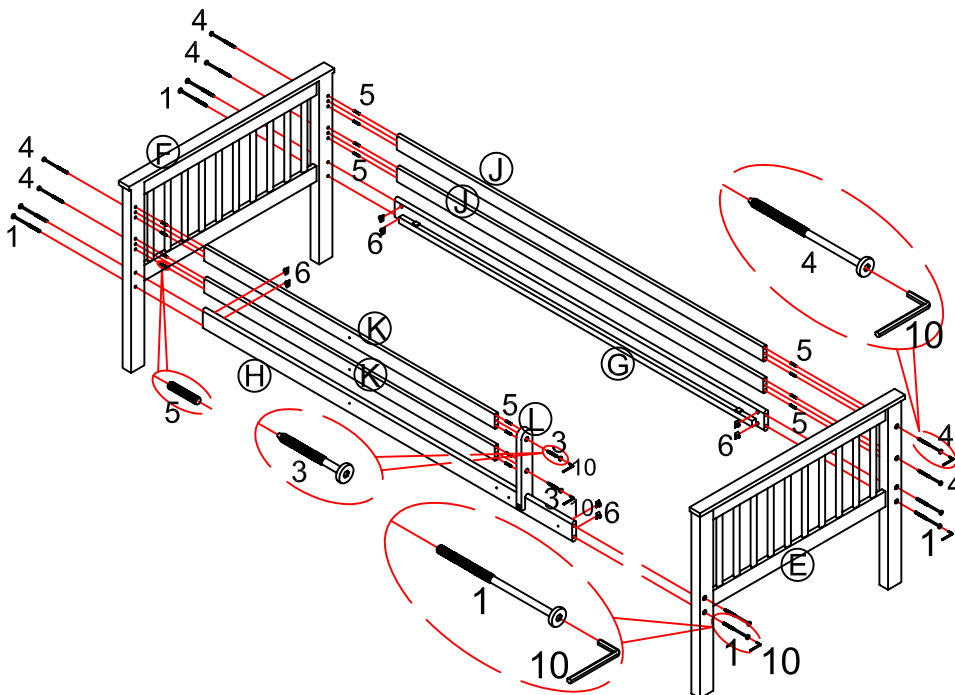
STEP 3

Attached bottom slats (I,O) to lower back and front side rail (C,D) with wood screws (8)
Tighten screws (8) with phillips head screw driver (not included).



STEP 4

Insert nut (6) into front upper side rail (H) and back upper side rail (G).
Insert wood plugs (5) into back guardrail bar (J) and front guardrail bar (K).
Attached the front upper side rail (H), back upper side rail (G) to top side panel (F,E) with bolts (1).
Attached back guardrail bar (J) and front guardrail bar (K) to top side panel (A,B) with bolts (4).
Attached front side guardrail bar (L) to front guardrail bar (K) with bolts(3).
Tighten bolts (1,3,4) with allen key (10)

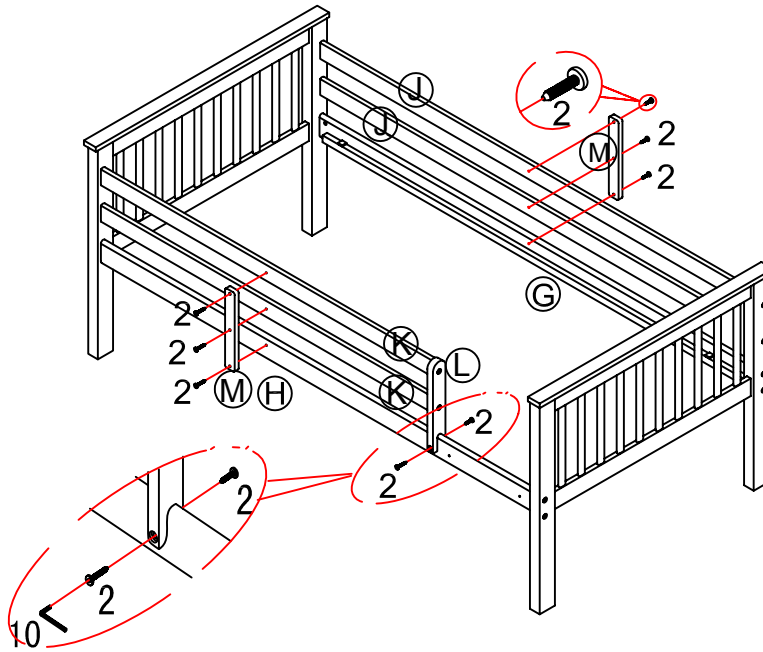


STEP 5

Attached guardrail reinforce bars (M) to back guardrail bar (J), front guardrail bar (K), front upper side rail (H) and back upper side rail (G) with bolts (2).

Attached front side guardrail bar (L) to front guardrail bar (K) and front upper side rail (H) with bolts (2).

Tighten bolts (2) with allen key (10)

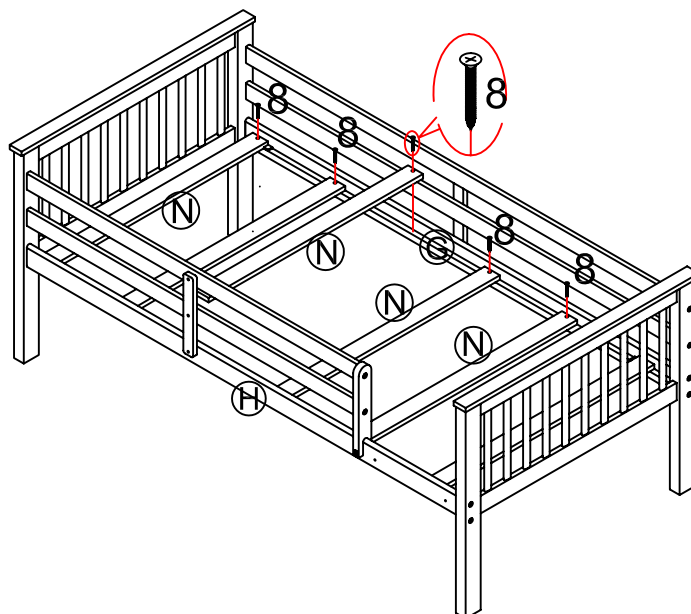


Both screws must be tightened in order to hold guardrail in place

STEP 6

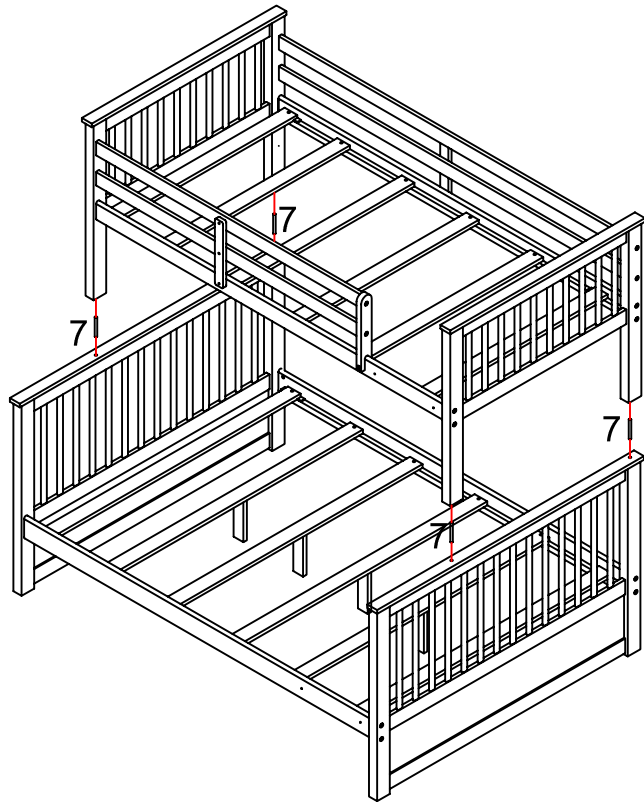
Attached upper slats (N) to front upper side rail (H) and back upper side rail (G) with wood screws (8).

Tighten screws (8) with phillips head screw driver (not included).



STEP 7

Attached top bunk to bottom bunk with Contacting bar (7).

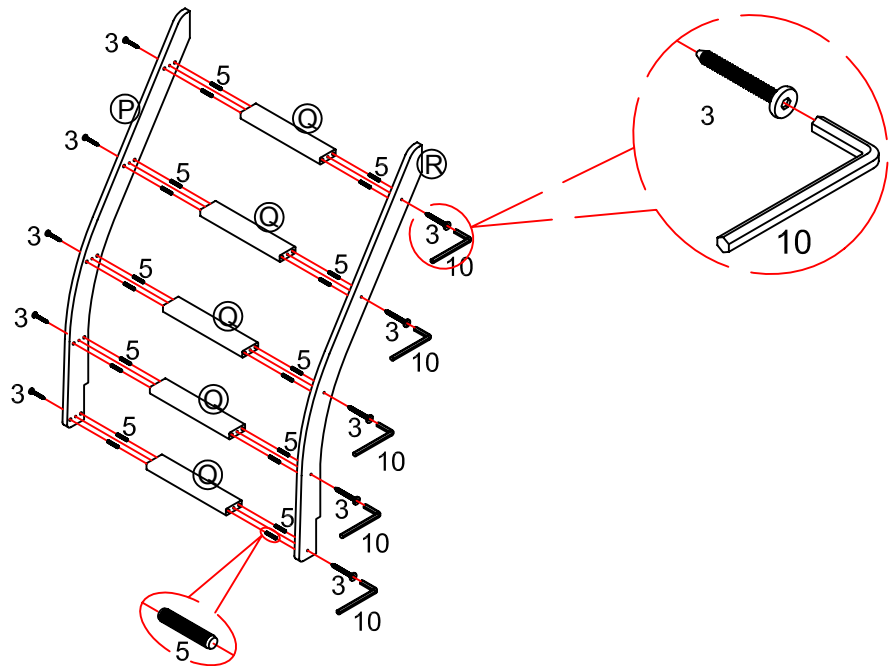


STEP 8

Insert wood plugs (5) into ladder steps (Q).

Attached the ladder steps (Q) to ladder left side rail (P) and ladder right side rail (R) with bolts (3).

Tighten bolts (3) with allen key (10)



STEP 9

Attached the ladder onto front upper side rail (H), lower front side rail (D), and secure with bolt (9).

Tighten bolts (9) with allen key (10)

