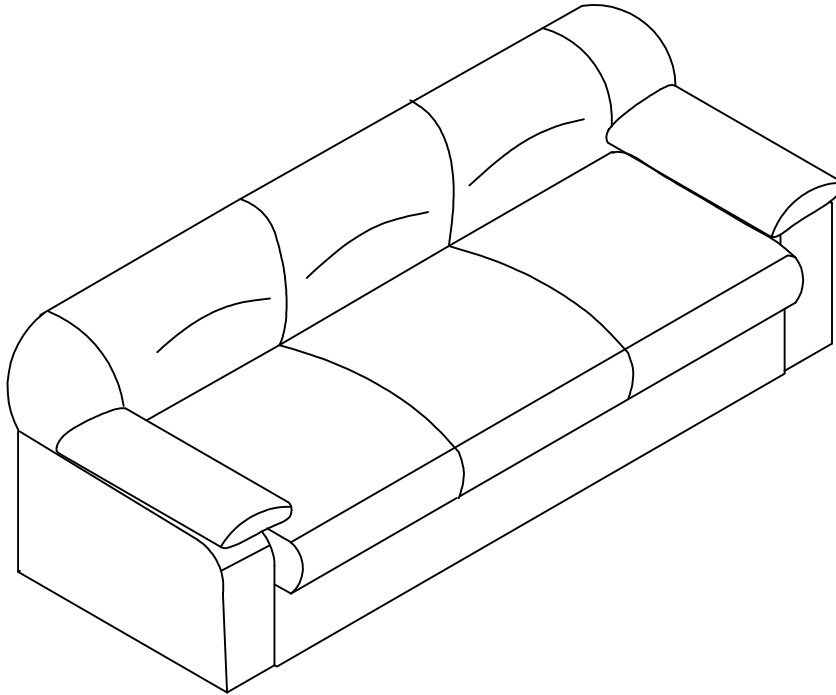


ASSEMBLY INSTRUCTIONS

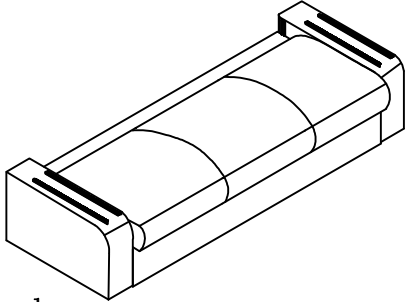
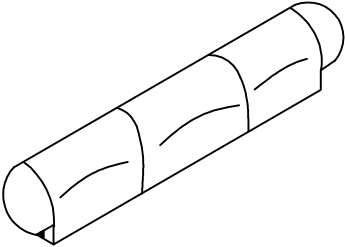
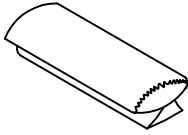
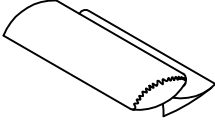

Style#909-S Sofa



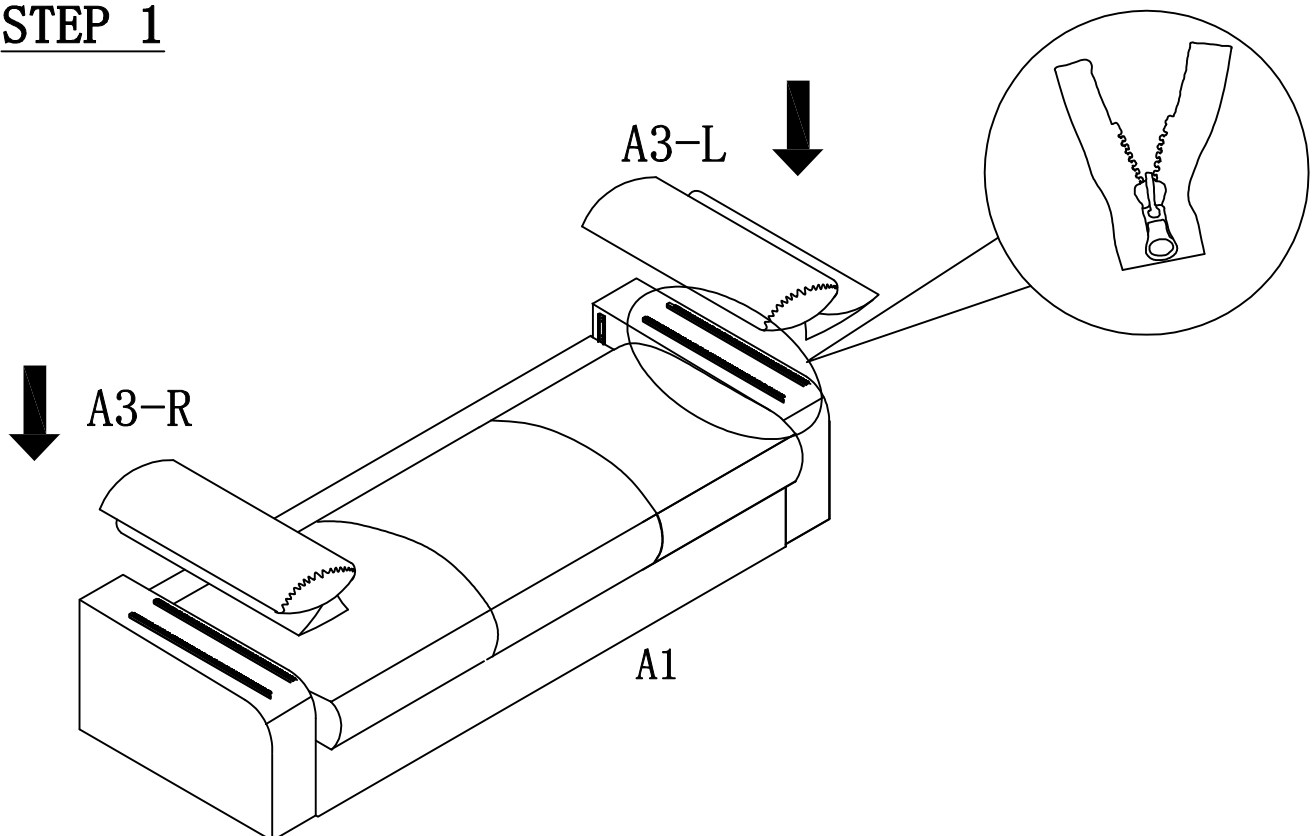
NOTE TO CUSTOMERS:

- For ease and speed of assembly we recommend that before you commence each step of the assembly that you identify all the parts required to complete that step.
- We recommend that where possible you allow sufficient space to assemble the item as close as possible to the place where it will be once assembled.
- For the protection of your furniture we recommend that the product is placed on protected surfaces during assembly to prevent any damage.
- During assembly do not over tighten, as this may damage the product.
- Please ensure you retain all the product packaging until the item completely assembled.
- Please periodically check all fittings and re-tighten as necessary.
- It is recommended that this item should be assembled by two adults.

Part List

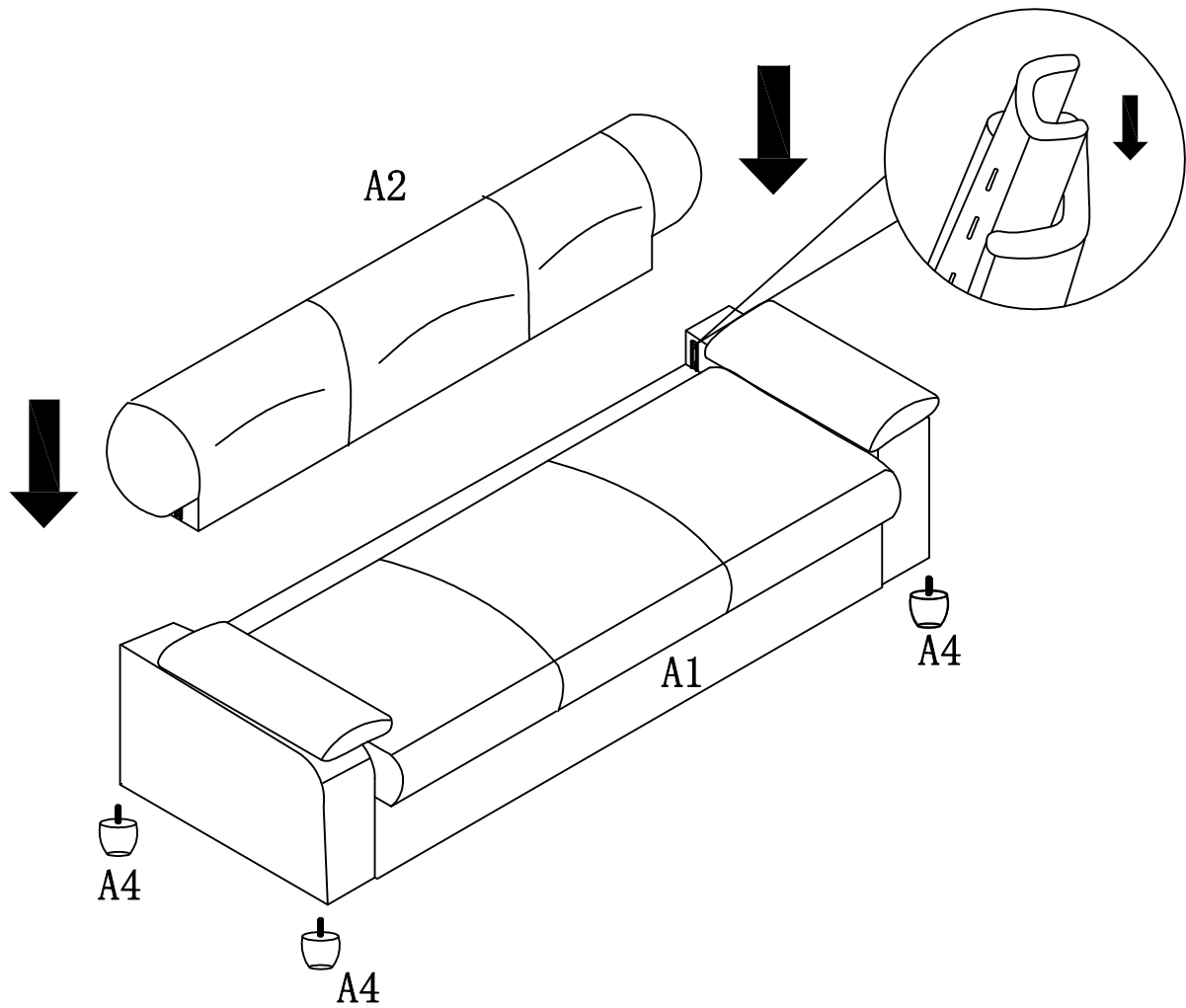
A1.  Seat Panel	Quantity of 1 A2.  Back Panel	Quantity of 1 A3-R.  Right Armrest
A3-L. Quantity of 1  Left Armrest	A4. Quantity of 4  Leg	

STEP 1



Attach Armrests A3(L&R) to Seat Panel A1 using zippers as shown above.

STEP 2



1. Attach Legs A4 to the bottom of Seat Panel A1.
2. Attach Back Panel A2 to Seat Panel A1 as above drawing shown.