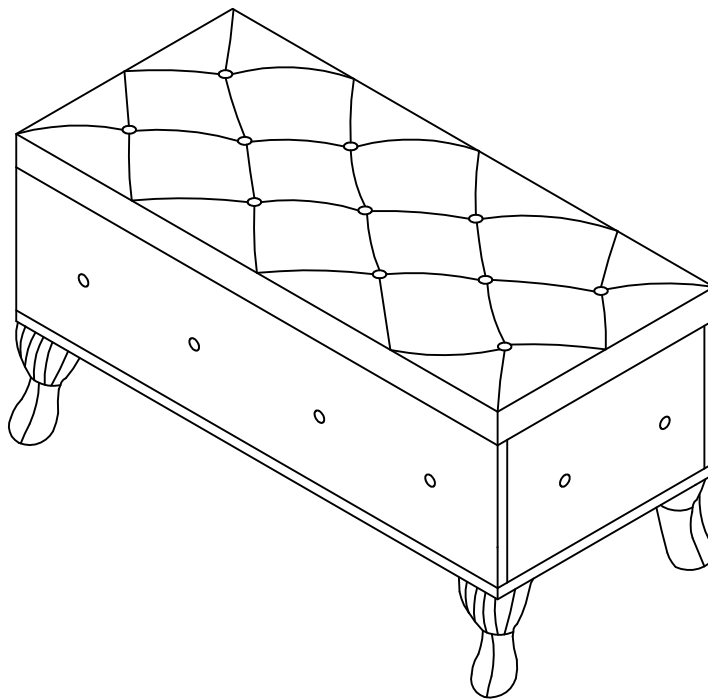


# ASSEMBLY INSTRUCTIONS

## Style# 5106/5107/5108 -BE Bench

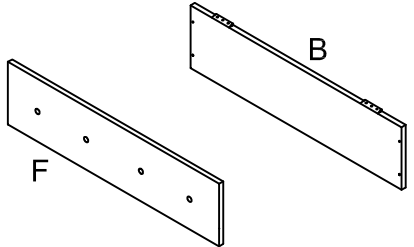
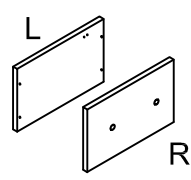
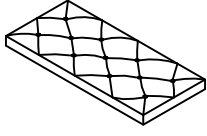
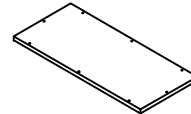


### NOTE TO CUSTOMERS:

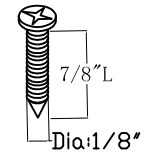
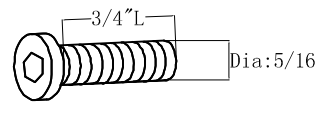


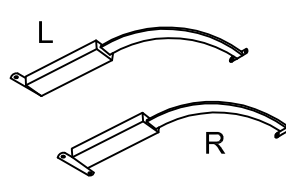
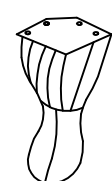

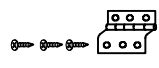
- For ease and speed of assembly we recommend that before you commence each step of the assembly that you identify all the parts required to complete that step.
- We recommend that where possible you allow sufficient space to assemble the item as close as possible to the place where it will be once assembled.
- For the protection of your furniture we recommend that the product is placed on protected surfaces during assembly to prevent any damage.
- During assembly do not over tighten ,as this may damage the product.
- Please ensure you retain all the product packaging until the item completely assembled.
- Please periodically check all fittings and re-tighten as necessary.
- Never allow any liquids to remain on your furniture as absorption can cause the wood to warp or the finish to de-laminate.
- It is recommended that this item should be assembled by two adults.

# ASSEMBLY INSTRUCTIONS



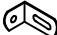
## PARTS LIST:

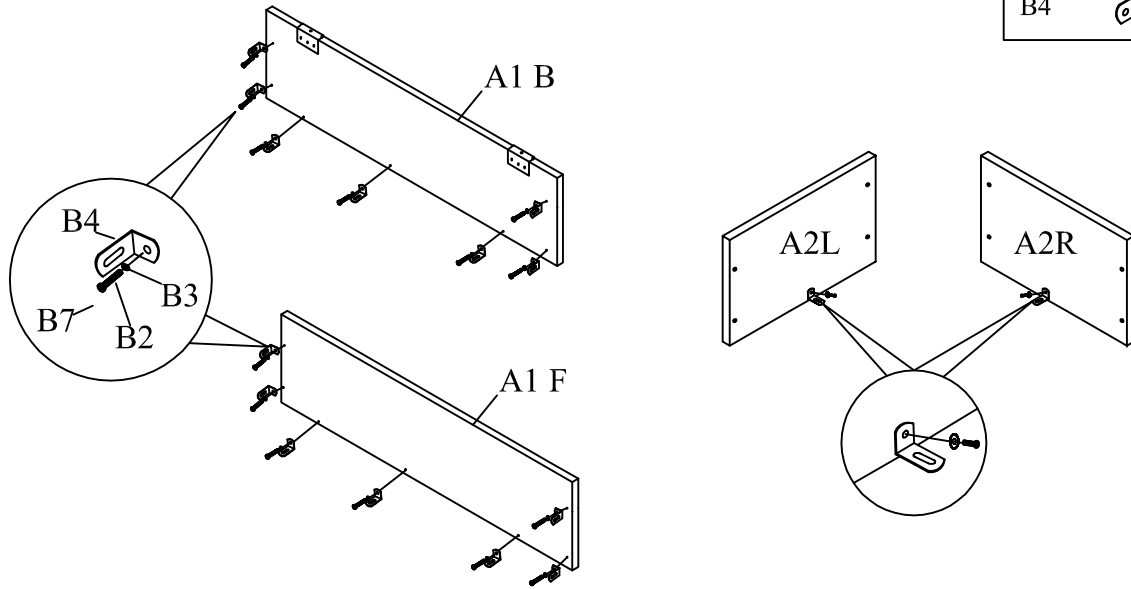
<p>A1F &amp;A1B <span style="float: right;">2pcs</span></p> <div style="text-align: center;">  </div> <p style="text-align: center;">Front and Back Panel</p>	<p>A2L&amp;A2R <span style="float: right;">2pcs</span></p> <div style="text-align: center;">  </div> <p style="text-align: center;">Right and Left Side Panel</p>
<p>A3 <span style="float: right;">1pc</span></p> <div style="text-align: center;">  </div> <p style="text-align: center;">Lid</p>	<p>A4 <span style="float: right;">1pc</span></p> <div style="text-align: center;">  </div> <p style="text-align: center;">Bottom Panel</p>

## HARDWARE LIST:

<p>B1 <span style="float: right;">30pcs</span></p> <div style="text-align: center;">  </div> <p style="text-align: center;">Screw</p>	<p>B2 <span style="float: right;">32pcs</span></p> <div style="text-align: center;">  </div> <p style="text-align: center;">Bolt</p>	<p>B3 <span style="float: right;">32pcs</span></p> <div style="text-align: center;">  </div> <p style="text-align: center;">Flat washer</p>
<p>B4 <span style="float: right;">16pcs</span></p> <div style="text-align: center;">  </div> <p style="text-align: center;">Bracket</p>	<p>B5 <span style="float: right;">2pcs</span></p> <div style="text-align: center;">  </div> <p style="text-align: center;">Safe Hinge</p>	<p>B6 <span style="float: right;">4pcs</span></p> <div style="text-align: center;">  </div> <p style="text-align: center;">Leg</p>
<p style="text-align: center;">1pc</p> <div style="text-align: center;">  </div> <p style="text-align: center;">Allen Key</p>	<p style="text-align: center;">2sets</p> <div style="text-align: center;">  </div> <p style="text-align: center;">Hinge with screws(already attached to the A1)</p>	



STEP 1

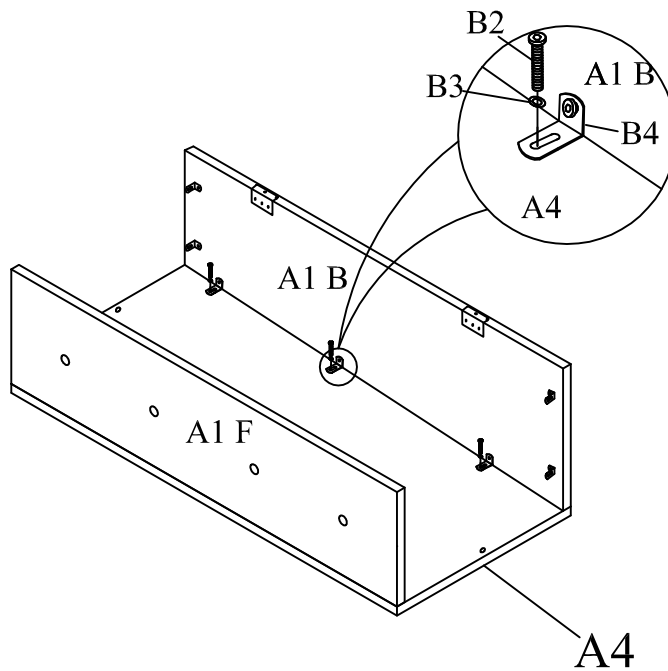
B2		16pcs
B3		16pcs
B4		16pcs



Attach Brackets B4 to Front Panel A(F), Back Panel A1(B), Right Side Panel A2(R) and Left Side Panel A2(L) using Bolts B2, Flat Washers B3. (Please do not tighten Bolts B2 until Step 4).  
 Note: Holes are pre-drilled.



STEP 2

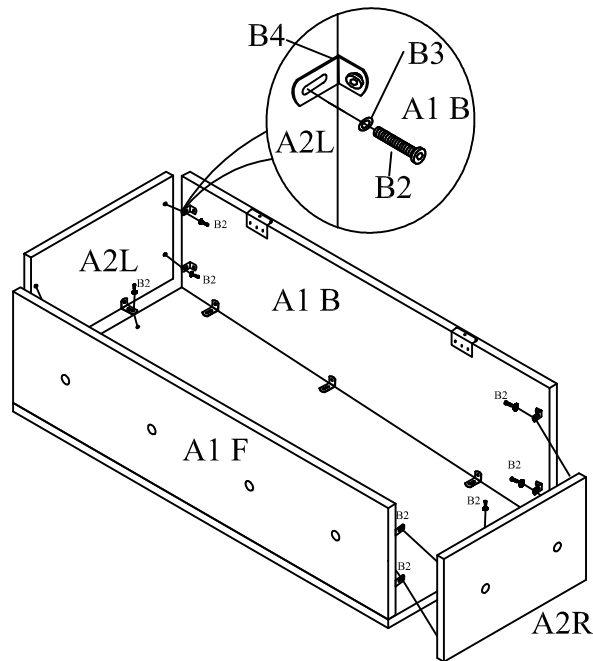
B2		6pcs
B3		6pcs



Assemble Back Panel A1(B) and Front Panel A1(F) to Bottom Panel A4 using Bolts B2 and Flat Washers B3.  
 Note: Do not tighten all bolts until Step 4.




STEP 3

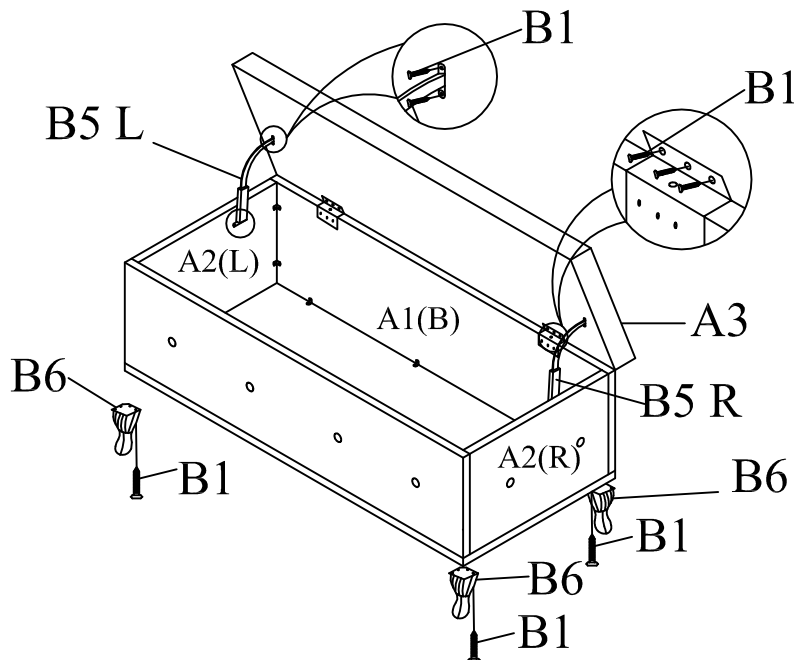
B2		10pcs
B3		10pcs



Assemble Side Panels A2(L&R) to Front and Back Panel A1(F&B) using Bolts B2 and Flat Washers B3.  
 Note: Do not tighten Bolts until Step 4.

STEP4

B1		30pcs
B5		2pcs
B6		4pcs



- 1). Attach Lid A3 to Back Panel A1 with hinges by using Screws B1. Then attach Safe Hinges B5 (L&R) to Side Panels A2(L&R) and the back of Lid A3 using Screws B1. (when attaching the safe hinges B5, hold the lid A3 in the upright open position). Then tighten all bolts at this point.
  - 2). Attach Legs B6 to Bottom Panel A4 using Screws B1.
- Note: Holes are pre-drilled.