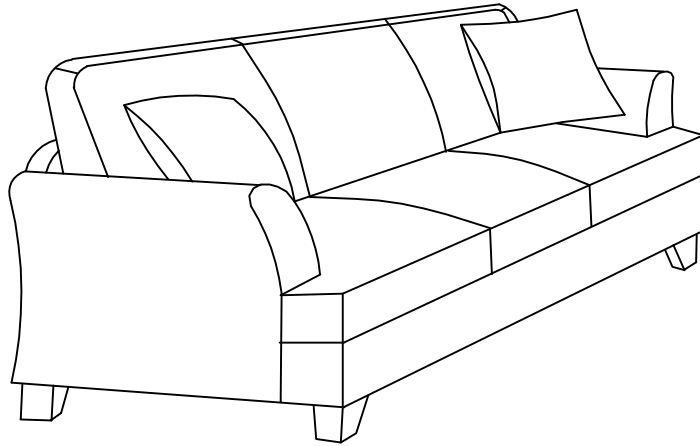


ASSEMBLY INSTRUCTIONS

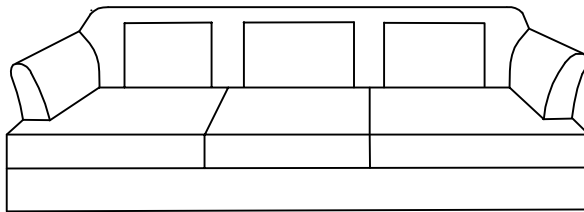
Style # 2053BL-Q/2053BR-Q



It is recommended that this item should be assembled by two adults.

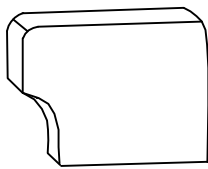
Part List:

A: Seat Frame



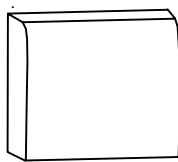
1PC

B-R: Backrest



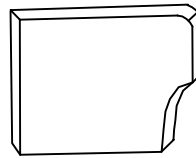
1PC

B-M: Backrest



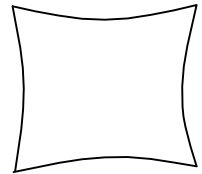
1PC

B-L: Backrest



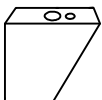
1PC

C: Pillow



2PCS

E: Leg



4PCS

F: Flat Washer



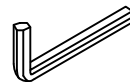
4PCS

G: Bolt



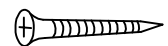
4PCS

H: Allen Wrench



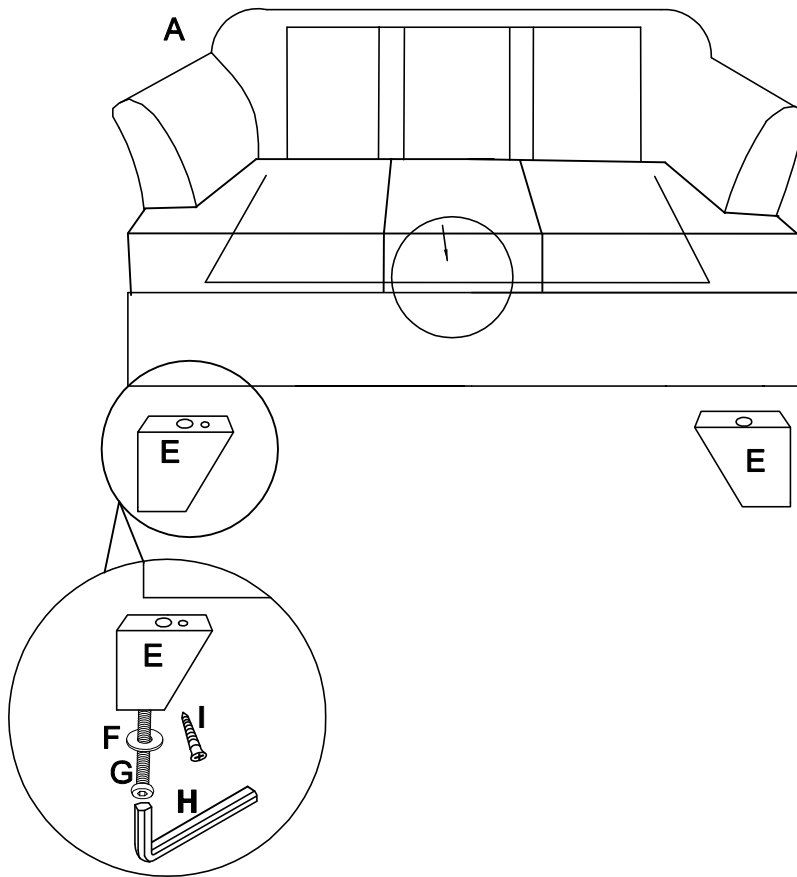
1PC

I: Screw



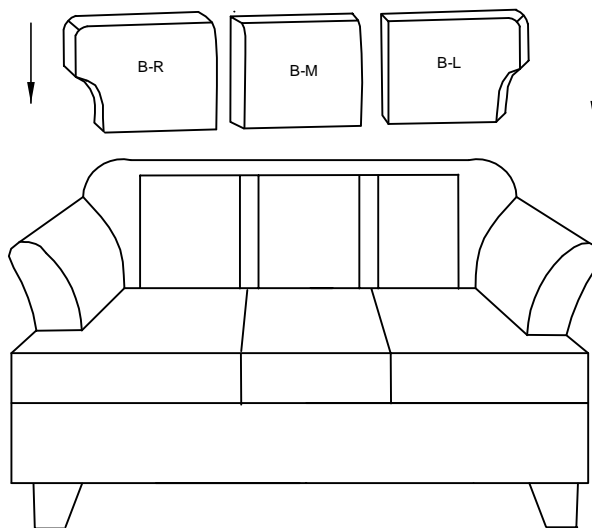
4PCS

Step 1: Attach Legs (E) to the bottom of Seat Frame (A) using Bolts (G) with Flat Washers (F) and Screws (I).

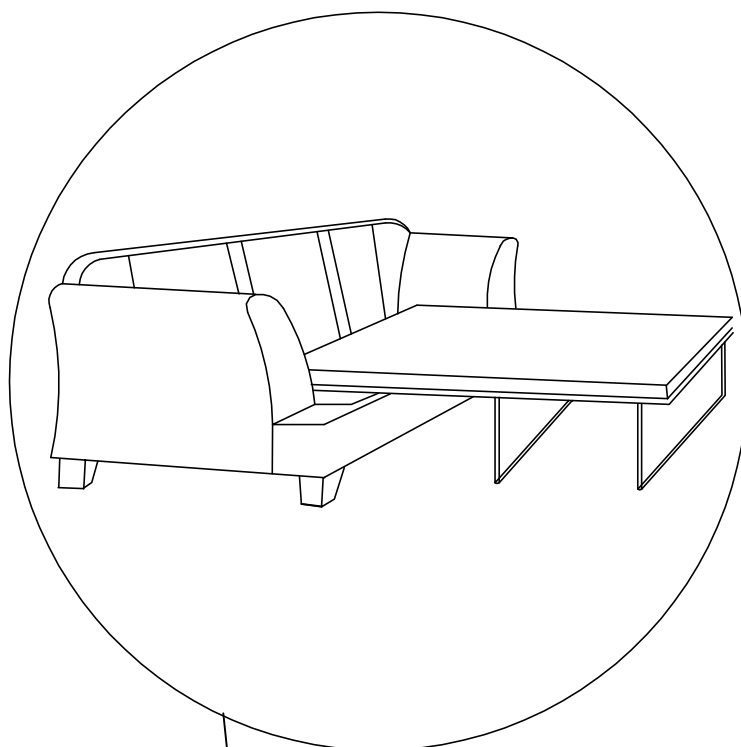


NOTE: Please ensure the legs are assembled in correct angle as above drawing shown.

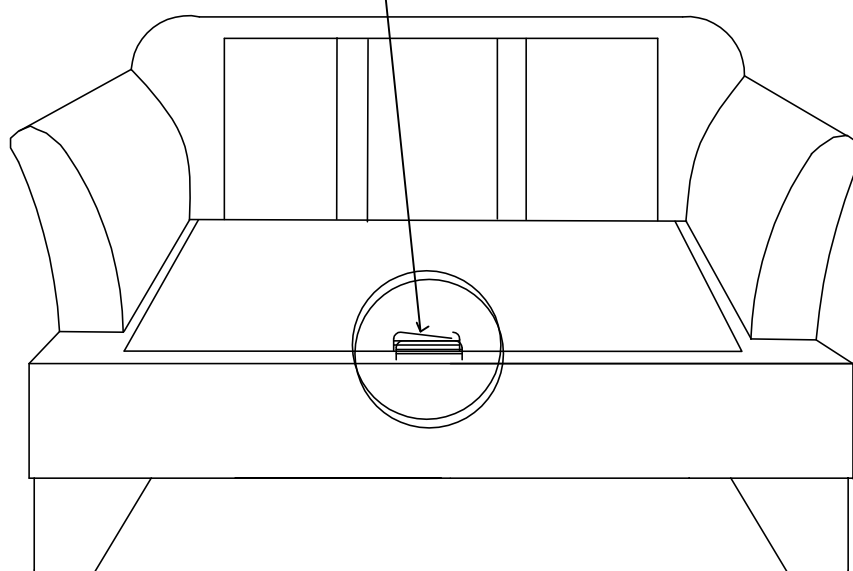
Step 2: Attach Backrests (B) to the back of Seat Frame (A).



Step 3:



A



Instruction for opening and closing the bed:

Please remove the seats and carefully pull out the sleeper mechanism and unfold it,(as shown above) do not open or pull with force.

When closing the bed, fold the mechanism once, then carefully push the mechanism back into place gently.